



Chipsmall Limited consists of a professional team with an average of over 10 year of expertise in the distribution of electronic components. Based in Hongkong, we have already established firm and mutual-benefit business relationships with customers from,Europe,America and south Asia,supplying obsolete and hard-to-find components to meet their specific needs.

With the principle of “Quality Parts,Customers Priority,Honest Operation,and Considerate Service”,our business mainly focus on the distribution of electronic components. Line cards we deal with include Microchip,ALPS,ROHM,Xilinx,Pulse,ON,Everlight and Freescale. Main products comprise IC,Modules,Potentiometer,IC Socket,Relay,Connector.Our parts cover such applications as commercial,industrial, and automotives areas.

We are looking forward to setting up business relationship with you and hope to provide you with the best service and solution. Let us make a better world for our industry!



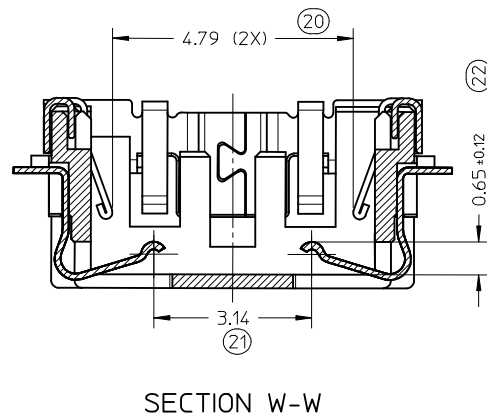
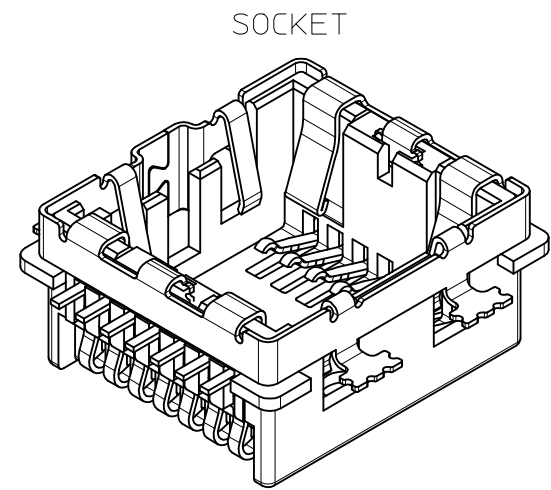
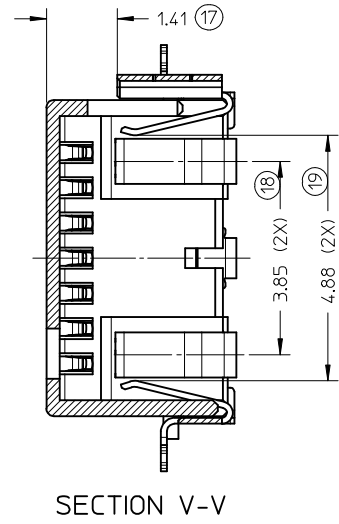
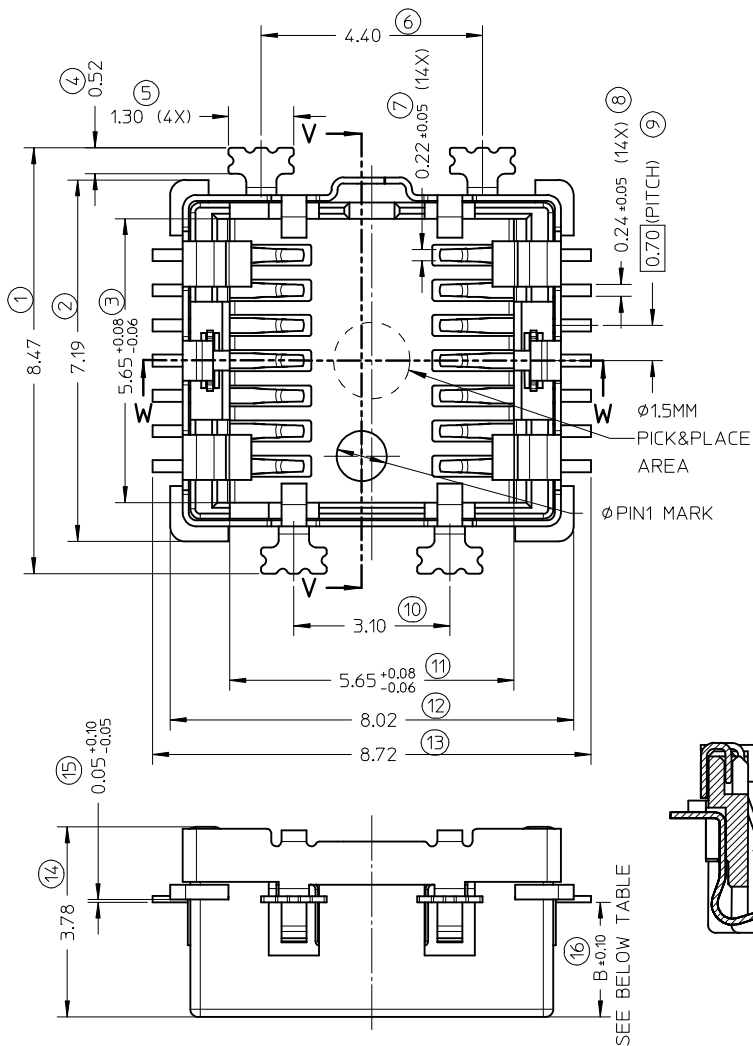
Contact us

Tel: +86-755-8981 8866 Fax: +86-755-8427 6832

Email & Skype: info@chipsmall.com Web: www.chipsmall.com

Address: A1208, Overseas Decoration Building, #122 Zhenhua RD., Futian, Shenzhen, China

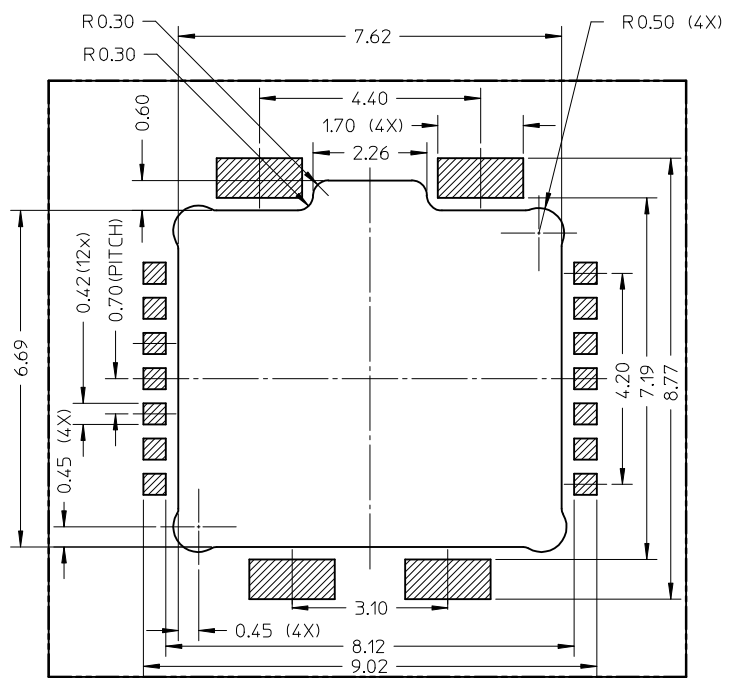




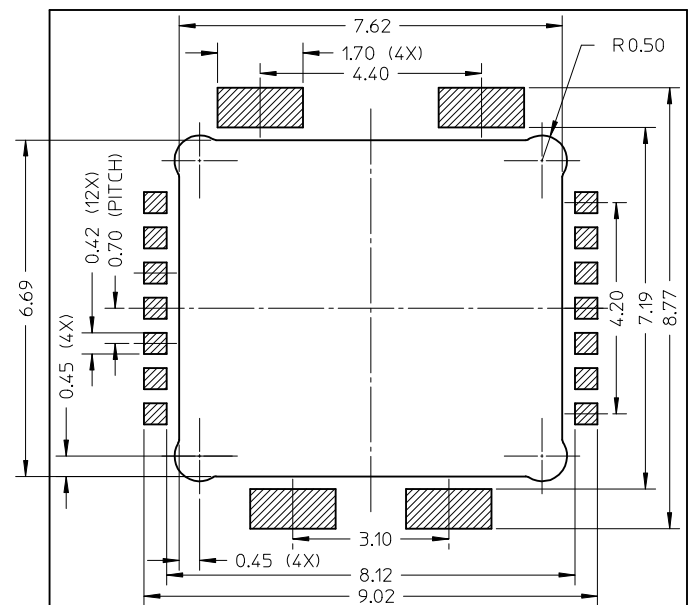
- NOTES:
- MATERIALS
HOUSING: HIGH TEMPERATURE PLASTIC, BLACK, UL94 V-0
TERMINAL: COPPER ALLOY.
SHELL: STAINLESS STEEL
 - FINISH
TERMINAL: 2-4 MICROMETER NICKEL UNDERPLATING OVERALL,
GOLD PLATING 0.3 MIN MICROMETER ON CONTACT AREA,
GOLD FLASH PLATING ON SOLDER AREA.
SHELL: 0.8 MIN MICROMETER NICKEL PLATING OVERALL
1.5 MIN MICROMETER MATTE TIN PLATING OVERALL.
 - COPLANARITY 0.08MM FOR ALL SOLDER TAILS. (23)
 - PRODUCT SPECIFICATION: PS-105200-001
 - PACKAGING: TAPE&REEL

1052000005	1.40		
1052000004	1.60	1052000009	0.60
1052000003	1.80	1052000008	0.75
1052000002	2.00	1052000007	1.00
1052000001	2.28	1052000006	1.20
PRODUCT NO.	DIM B	PRODUCT NO.	DIM B

RELEASED EC NO: SH2013-0196 DRWN:WJHUO 2012/12/18 CHKD: APPR:AYIN 2013/01/08 REV A	QUALITY SYMBOLS	GENERAL TOLERANCES (UNLESS SPECIFIED)	DIMENSION STYLE	SCALE	DESIGN UNITS	THIRD ANGLE PROJECTION
	$F_A=0$ $F_C=0$ $F_P=0$	mm INCH 4 PLACES ± --- ± --- 3 PLACES ± --- ± --- 2 PLACES ± 0.15 ± --- 1 PLACE ± 0.20 ± --- 0 PLACE ± --- ± ---	MM ONLY	10:1	METRIC	
		ANGULAR ± 3 °	DRAWN BY WJHUO	DATE 2012/12/18	TITLE	
		DRAFT WHERE APPLICABLE MUST REMAIN WITHIN DIMENSIONS	CHECKED BY	DATE	SMTA55 CAMERA SOCKET BOTTOM CONTACT	
		APPROVED BY AYIN	DATE 2013/01/08			
		MATERIAL NO.		DOCUMENT NO.	SD-105200-001	SHEET NO. 1 OF 2
		SIZE A3	THIS DRAWING CONTAINS INFORMATION THAT IS PROPRIETARY TO MOLEX INCORPORATED AND SHOULD NOT BE USED WITHOUT WRITTEN PERMISSION			



A TYPE PCB LAYOUT FOR PRODUCT NO.
 1052000001,1052000002,1052000003,
 1052000004,1052000005
 TOLERANCE:0.05mm



B TYPE PCB LAYOUT FOR PRODUCT NO.
 1052000006,1052000007,
 1052000008,1052000009
 TOLERANCE:0.05mm

RELEASED EC NO: SH2013-0196 DRWN: JHUO 2012/12/18 CHKD: APPR: AYIN 2013/01/08	REV DESCRIPTION	QUALITY SYMBOLS	GENERAL TOLERANCES (UNLESS SPECIFIED)		DIMENSION STYLE	SCALE	DESIGN UNITS	THIRD ANGLE PROJECTION
		$\nabla = 0$ $\nabla = 0$ $\nabla = 0$	mm	INCH	MM ONLY	10:1	METRIC	TITLE SMIA55 CAMERA SOCKET BOTTOM CONTACT
		4 PLACES ± --- ± --- 3 PLACES ± --- ± --- 2 PLACES ± 0.15 ± --- 1 PLACE ± 0.20 ± --- 0 PLACE ± --- ± ---			DRAWN BY: WJHUO DATE: 2012/12/18 CHECKED BY: DATE:			
		ANGULAR ± 3 ° DRAFT WHERE APPLICABLE MUST REMAIN WITHIN DIMENSIONS			APPROVED BY: AYIN DATE: 2013/01/08 MATERIAL NO.: 9999999999 DOCUMENT NO.: SD-105200-001			SHEET NO.: 2 OF 2