



Chipsmall Limited consists of a professional team with an average of over 10 year of expertise in the distribution of electronic components. Based in Hongkong, we have already established firm and mutual-benefit business relationships with customers from,Europe,America and south Asia,supplying obsolete and hard-to-find components to meet their specific needs.

With the principle of “Quality Parts,Customers Priority,Honest Operation,and Considerate Service”,our business mainly focus on the distribution of electronic components. Line cards we deal with include Microchip,ALPS,ROHM,Xilinx,Pulse,ON,Everlight and Freescale. Main products comprise IC,Modules,Potentiometer,IC Socket,Relay,Connector.Our parts cover such applications as commercial,industrial, and automotives areas.

We are looking forward to setting up business relationship with you and hope to provide you with the best service and solution. Let us make a better world for our industry!



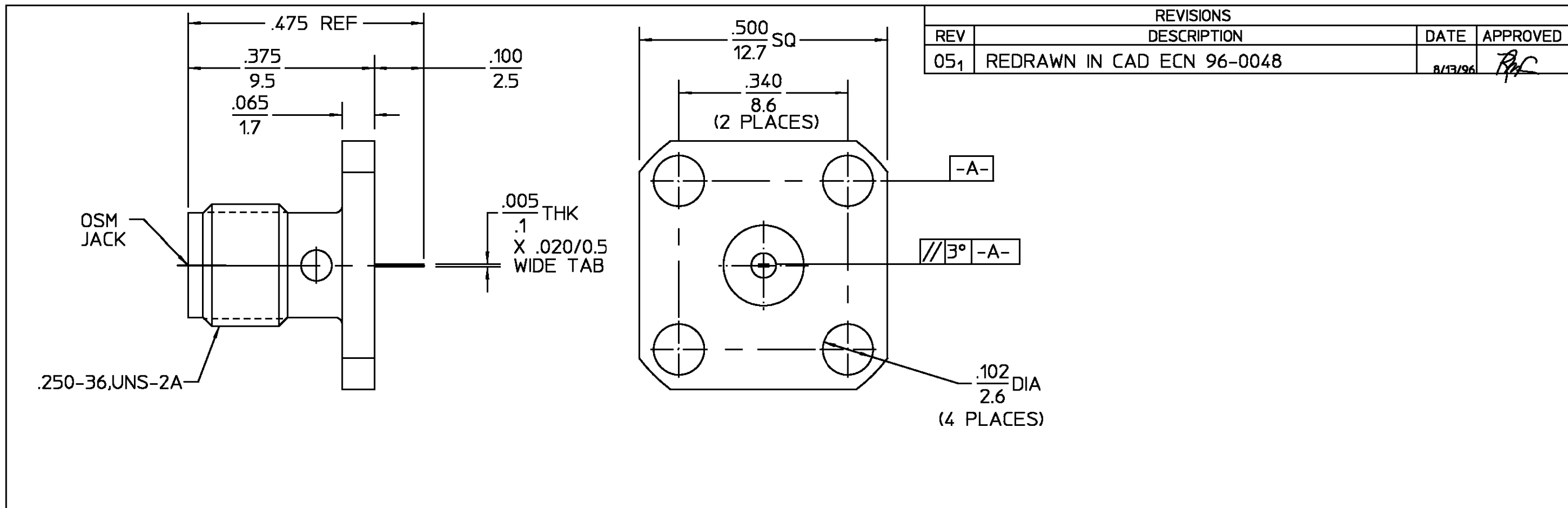
Contact us

Tel: +86-755-8981 8866 Fax: +86-755-8427 6832

Email & Skype: info@chipsmall.com Web: www.chipsmall.com

Address: A1208, Overseas Decoration Building, #122 Zhenhua RD., Futian, Shenzhen, China





ELECTRICAL
Nominal Impedance (Ohms) <u>50</u>
Frequency Range (GHz) DC to <u>18.0</u>
Volt Rating (VRMS MAX)
@ Sea Level <u>335</u>
VSWR <u>1.05 + .005 f(GHz)</u>
Insertion Loss (dB MAX) <u>.07 √f(GHz)</u>
RF Leakage (dB MIN) <u>-(60-f(GHz))</u>
Corona, 70,000 Ft (VRMS MIN) <u>250</u>
Dielectric Withstanding Voltage
(VRMS MIN) @ Sea Level <u>1000</u>
Contact Resistance (Milliohms MAX)
Center Contact <u>3.0</u>
Outer Contact <u>2.0</u>
Cable to Housing <u>N/A</u>
RF High Potential @ Sea Level
(VRMS MIN @ 5 MHz) <u>670</u>
LR.(Megohms MIN) <u>5,000</u>

MECHANICAL
Interface Dimensions MIL-STD-348, Fig. <u>310.2</u>
Recommended Mating
Torque <u>7-10 IN LBS</u>
Mating Characteristics:
Insertion (MAX Lbs) <u>3.0</u>
Withdrawal (MIN Oz) <u>1.0</u>
Force to Engage and Disengage (In/Lbs MAX) <u>2.0</u>
Center Contact Captivation
Axial (Lbs) <u>6.0</u>
Radial (In/Oz) <u>4.0</u>
Cable Retention
Axial Force (Lbs) <u>N/A</u>
Torque (In/Oz) <u>N/A</u>
Weight (Grams) <u>2.2</u>

ENVIRONMENTAL
Temperature Rating <u>-65°C TO 105°C</u>
Vibration MIL-STD-202, Method 204, Condition D
Shock MIL-STD-202, Method 213, Condition I
Thermal Shock MIL-STD-202, Method 107, Condition A
Moisture Resistance MIL-STD-202, Method 106
Corrosion - MIL-STD-202, Method 101, Condition B, 5% salt spray

COMPONENT	MATERIAL	FINISH																															
HOUSING	STAINLESS STEEL PER ASTM-A484 AND ASTM-A582, TYPE 303	PASSIVATE PER QQ-P-35																															
DIELECTRIC	TFE FLUOROCARBON PER ASTM-D-1457 AND MIL-P-19468	N/A																															
CENTER CONTACT	BERYLLIUM COPPER PER ASTM-B196, ALLOY 173	GOLD PLATE PER MIL-G-45204																															
<table border="1"> <tr> <td>UNLESS OTHERWISE SPECIFIED DIMENSIONS ARE IN INCHES</td> <td>DRAWN BY P.F.</td> <td>DATE 7/10/79</td> <td rowspan="3"> </td> <td rowspan="3"> AMP Incorporated 140 Fourth Avenue Waltham, MA 02451-7599 </td> </tr> <tr> <td>TOLERANCE ON</td> <td>CHECKED BY R.D.S.</td> <td>7/11/79</td> </tr> <tr> <td>FRAC. DEC. ANGLES</td> <td>APPD BY R.M.F.</td> <td>7/12/79</td> </tr> <tr> <td>± 1/64 ±.005 ± °</td> <td colspan="2"> USE ASS'Y PROCEDURE NO. AP. <u>N/A</u> </td> <td colspan="2"> TITLE OSM 4 HOLE FLANGE MOUNT JACK RECEPTACLE TAB TERMINAL </td> </tr> <tr> <td colspan="3"> These drawings and specifications are the property of Omni Spectra Incorporated and shall not be reproduced or copied or used in whole or in part as the basis for the manufacture or sale of item(s) without written permission. </td> <td> SIZE B </td> <td> CODE IDENT NO. 26805 </td> </tr> <tr> <td colspan="3"></td> <td> SCALE 5:1 </td> <td> 2052-5636-02 </td> </tr> <tr> <td colspan="3"></td> <td colspan="2"> SHEET 1 OF 1 </td> </tr> </table>			UNLESS OTHERWISE SPECIFIED DIMENSIONS ARE IN INCHES	DRAWN BY P.F.	DATE 7/10/79		AMP Incorporated 140 Fourth Avenue Waltham, MA 02451-7599	TOLERANCE ON	CHECKED BY R.D.S.	7/11/79	FRAC. DEC. ANGLES	APPD BY R.M.F.	7/12/79	± 1/64 ±.005 ± °	USE ASS'Y PROCEDURE NO. AP. <u>N/A</u>		TITLE OSM 4 HOLE FLANGE MOUNT JACK RECEPTACLE TAB TERMINAL		These drawings and specifications are the property of Omni Spectra Incorporated and shall not be reproduced or copied or used in whole or in part as the basis for the manufacture or sale of item(s) without written permission.			SIZE B	CODE IDENT NO. 26805				SCALE 5:1	2052-5636-02				SHEET 1 OF 1	
UNLESS OTHERWISE SPECIFIED DIMENSIONS ARE IN INCHES	DRAWN BY P.F.	DATE 7/10/79		AMP Incorporated 140 Fourth Avenue Waltham, MA 02451-7599																													
TOLERANCE ON	CHECKED BY R.D.S.	7/11/79																															
FRAC. DEC. ANGLES	APPD BY R.M.F.	7/12/79																															
± 1/64 ±.005 ± °	USE ASS'Y PROCEDURE NO. AP. <u>N/A</u>		TITLE OSM 4 HOLE FLANGE MOUNT JACK RECEPTACLE TAB TERMINAL																														
These drawings and specifications are the property of Omni Spectra Incorporated and shall not be reproduced or copied or used in whole or in part as the basis for the manufacture or sale of item(s) without written permission.			SIZE B	CODE IDENT NO. 26805																													
			SCALE 5:1	2052-5636-02																													
			SHEET 1 OF 1																														