



Chipsmall Limited consists of a professional team with an average of over 10 year of expertise in the distribution of electronic components. Based in Hongkong, we have already established firm and mutual-benefit business relationships with customers from,Europe,America and south Asia,supplying obsolete and hard-to-find components to meet their specific needs.

With the principle of "Quality Parts,Customers Priority,Honest Operation,and Considerate Service",our business mainly focus on the distribution of electronic components. Line cards we deal with include Microchip,ALPS,ROHM,Xilinx,Pulse,ON,Everlight and Freescale. Main products comprise IC,Modules,Potentiometer,IC Socket,Relay,Connector.Our parts cover such applications as commercial,industrial, and automotives areas.

We are looking forward to setting up business relationship with you and hope to provide you with the best service and solution. Let us make a better world for our industry!



Contact us

Tel: +86-755-8981 8866 Fax: +86-755-8427 6832

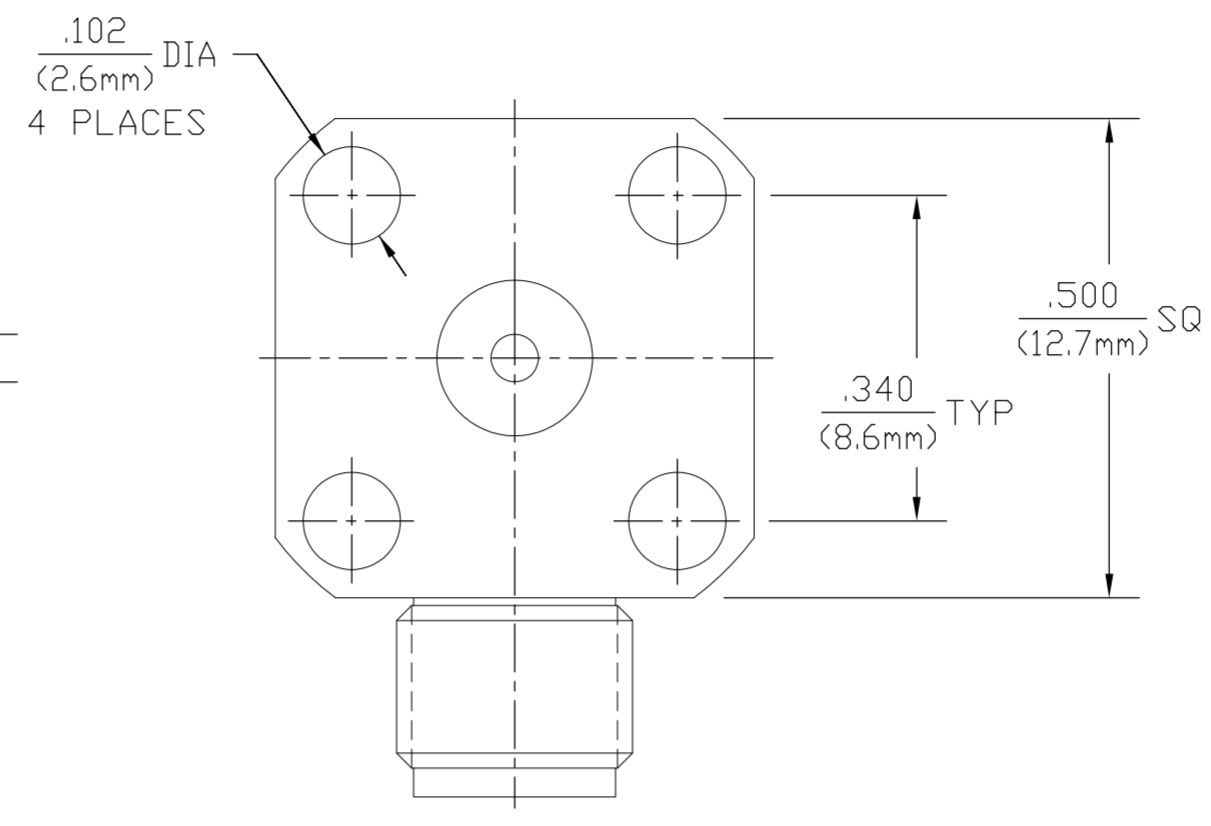
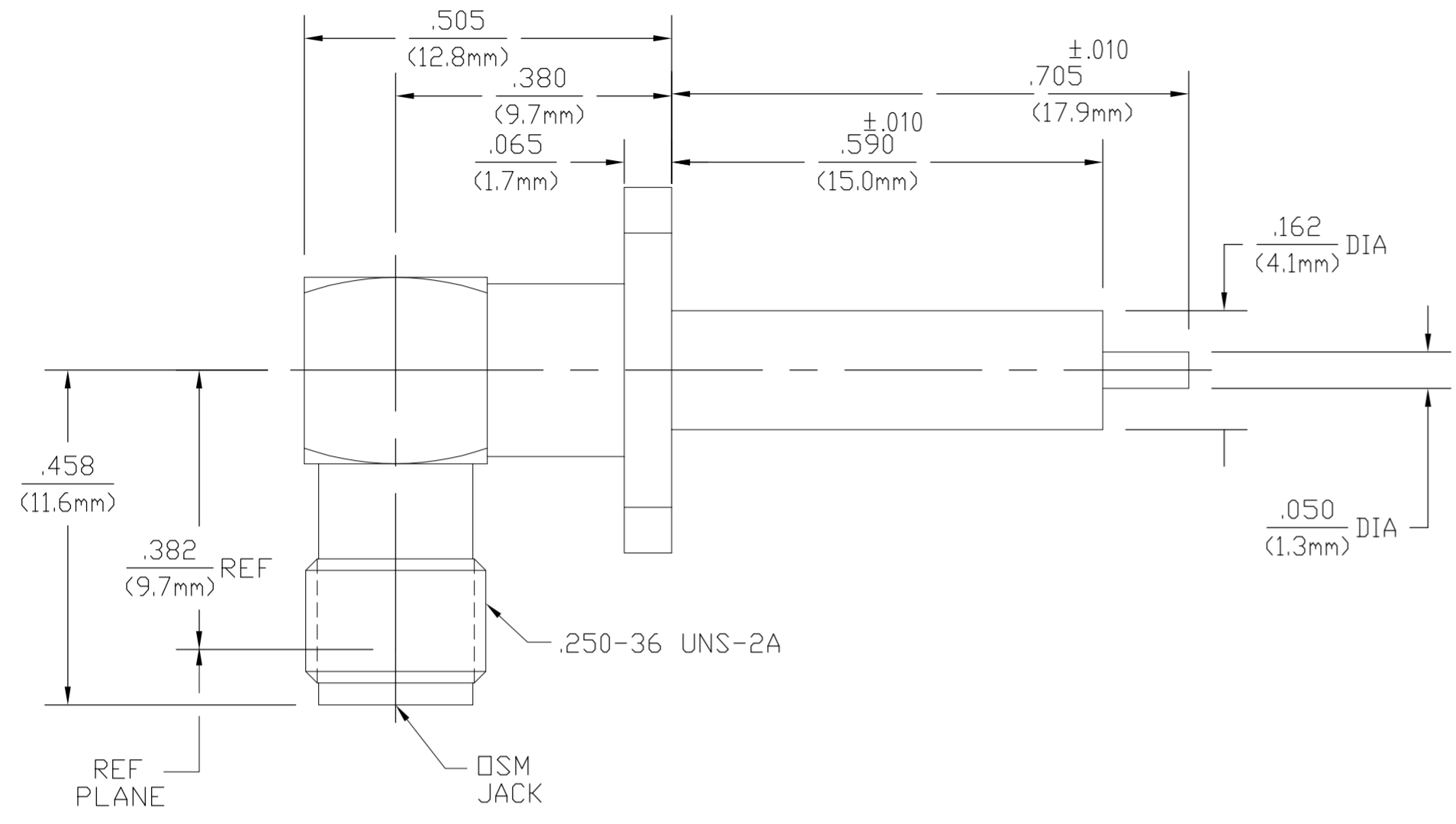
Email & Skype: info@chipsmall.com Web: www.chipsmall.com

Address: A1208, Overseas Decoration Building, #122 Zhenhua RD., Futian, Shenzhen, China



THIS DRAWING IS UNPUBLISHED. RELEASED FOR PUBLICATION
 © COPYRIGHT BY TYCO ELECTRONICS CORPORATION. ALL INTERNATIONAL RIGHTS RESERVED.

LOC	DIST	REVISIONS			
P	LTR	DESCRIPTION	DATE	DWN	APVD
AJ	00				
	A	REDRAWN AND UPDATED	01-22-91	-	S.T.M
	B	REVISED PER ECO-08-030676	02-24-09	AEG	JKO



- ① BRASS
- ② STAINLESS STEEL
- ③ BERYLLIUM COPPER
- ④ PTFE
- ⑤ GOLD PLATE
- ⑥ PASSIVATED
- ⑦ SILICONE RUBBER
- ⑧ NICKEL PLATE

ELECTRICAL	MECHANICAL	ENVIRONMENTAL
Nominal Impedance (Ohms) <u>50</u>	Interface Dimensions MIL-STD-348A, Fig. 310.2	TEMPERATURE RATING <u>-65°C TO 125°C</u>
Frequency Range (GHz) DC to <u>12.4</u>	Recommended Mating	Vibration MIL-STD-202, Method 204, Condition D
Volt Rating (VRMS MAX) @ Sea Level <u>335</u>	Torque <u>N/A</u>	Shock MIL-STD-202, Method 213, Condition I
VSWR <u>1.1 +.010f GHz</u>	Mating Characteristics:	Thermal Shock MIL-STD-202, Method 107, Condition B, EXCEPT HIGH TEMP 115°C
Insertion Loss (dB MAX) <u>.08 √fGHz</u>	Insertion (MAX Lbs) <u>3.0</u>	Moisture Resistance MIL-STD-202, Method 106, Except Vibration
RF Leakage (dB MIN) <u>-[90-f(GHz)]</u>	Withdrawal (MIN Oz) <u>1.0</u>	Shall Be Omitted
Dielectric Withstanding Voltage (VRMS MIN) @ Sea Level <u>1,000</u>	Force to Engage and Disengage (In/Lbs MAX) <u>2.0</u>	Corrosion - MIL-STD-202, Method 101, Condition B, 5% salt spray
Contact Resistance (Milliohms MAX) Center Contact <u>4.0</u>	Center Contact Captivation	
Outer Contact <u>2.0</u>	Axial (Lbs) <u>6.0</u>	
Cable to Housing <u>N/A</u>	Radial (In/Oz) <u>4.0</u>	
RF High Potential @ Sea Level (VRMS MIN @ 5 MHz) <u>670</u>	Cable Retention	
I.R.(Megohms MIN) <u>5,000</u>	Axial Force (Lbs) <u>N/A</u>	
	Torque (In/Oz) <u>N/A</u>	
	Weight (Grams) <u>5.2</u>	

④	③⑤	①⑧	①⑧	③⑤	1052978-2
④	③⑤	②⑥	②⑥	③⑤	1052978-1
DIELECTRIC	CONTACT EXT	CAP	SUB-ASSY	CENTRE CONTACT	TE PN

THIS DRAWING IS A CONTROLLED DOCUMENT.

DWN	PL	4/21/79
CHK	KW	5/10/79
APVD	GH	5/10/79
PRODUCT SPEC		
APPLICATION SPEC		
WEIGHT	-	

Tyco Electronics Tyco Electronics Corporation
Harrisburg, PA 17105-3608

NAME: OSM FLANGE MOUNT 4 HOLE RIGHT ANGLE RECEPTACLE STRAIGHT TERMINAL

SIZE	CAGE CODE	DRAWING NO	RESTRICTED TO
A2	00779	C=1052978	-

CUSTOMER DRAWING SCALE 5:1 SHEET 1 of 1 REV B