



Chipsmall Limited consists of a professional team with an average of over 10 year of expertise in the distribution of electronic components. Based in Hongkong, we have already established firm and mutual-benefit business relationships with customers from,Europe,America and south Asia,supplying obsolete and hard-to-find components to meet their specific needs.

With the principle of “Quality Parts,Customers Priority,Honest Operation,and Considerate Service”,our business mainly focus on the distribution of electronic components. Line cards we deal with include Microchip,ALPS,ROHM,Xilinx,Pulse,ON,Everlight and Freescale. Main products comprise IC,Modules,Potentiometer,IC Socket,Relay,Connector.Our parts cover such applications as commercial,industrial, and automotives areas.

We are looking forward to setting up business relationship with you and hope to provide you with the best service and solution. Let us make a better world for our industry!



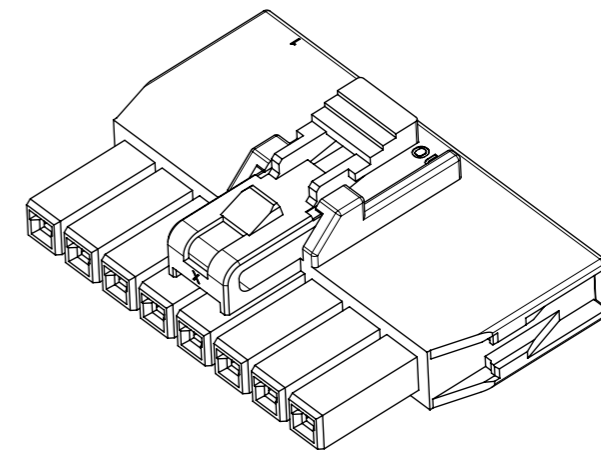
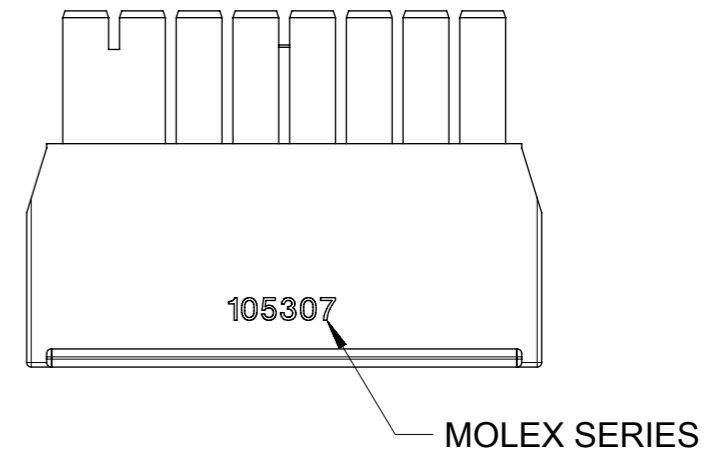
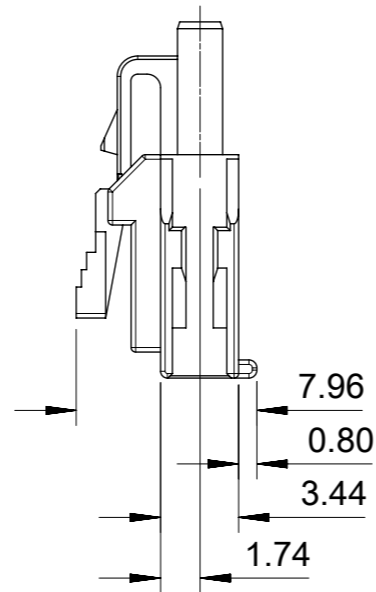
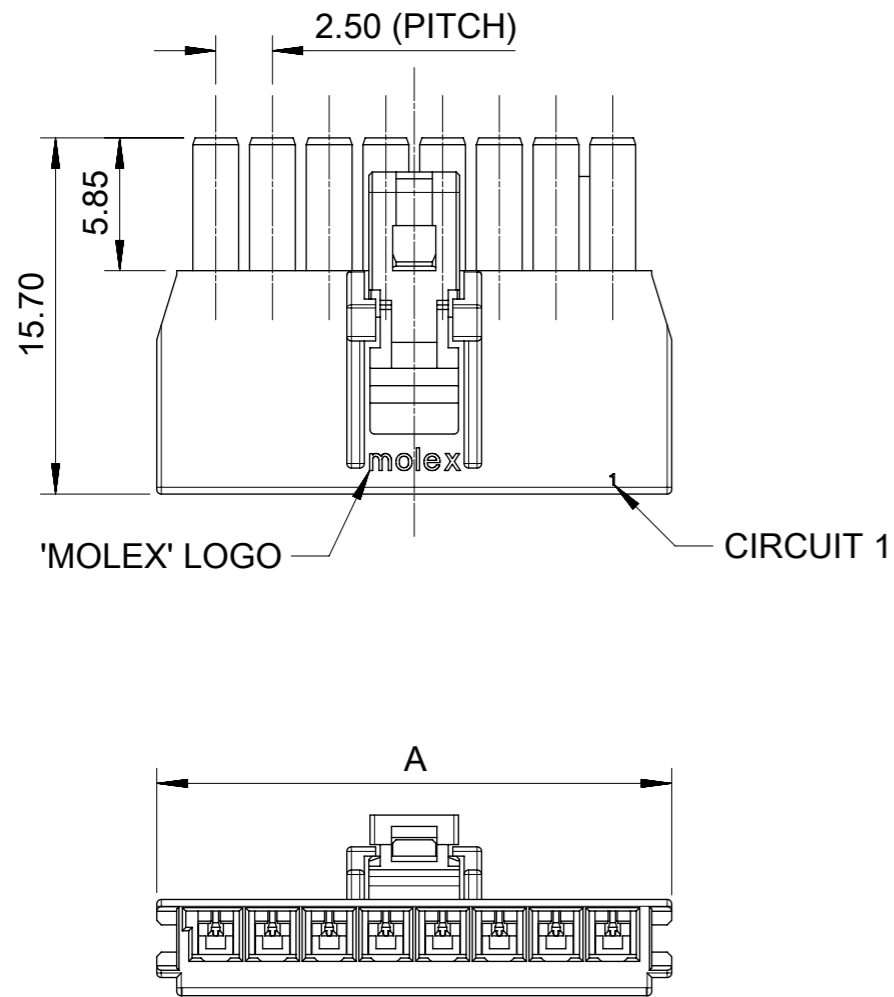
Contact us

Tel: +86-755-8981 8866 Fax: +86-755-8427 6832

Email & Skype: info@chipsmall.com Web: www.chipsmall.com

Address: A1208, Overseas Decoration Building, #122 Zhenhua RD., Futian, Shenzhen, China

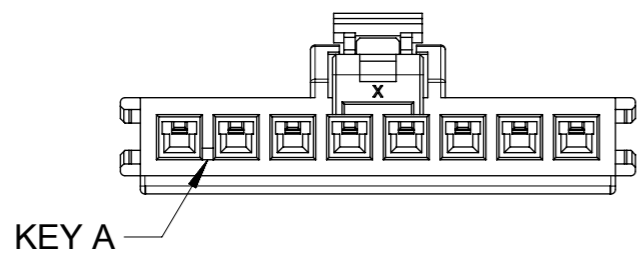
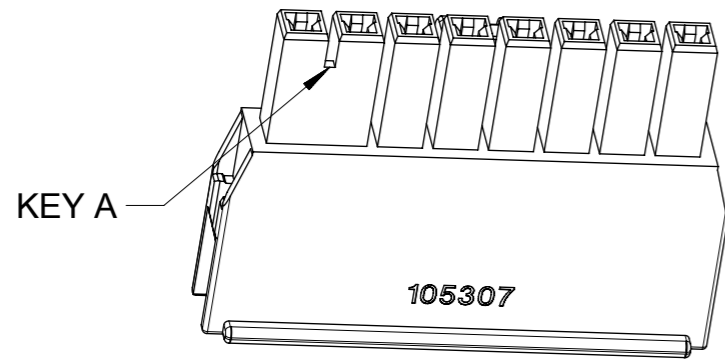




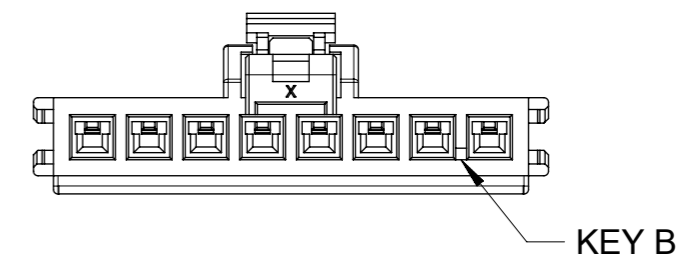
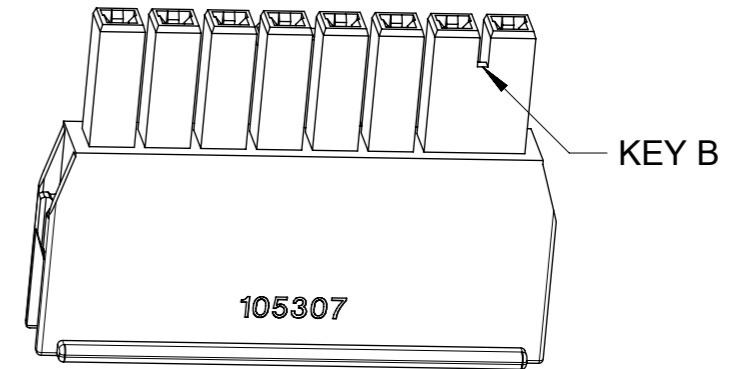
NOTES:

1. MATERIAL:
 OPTION 1: PA4T, 30% GLASS FILLED, 94V-0, BLACK
 OPTION 2: PA4T, 30% GLASS FILLED, 94V-0, NATURAL.
2. PRODUCT SPECIFICATION: PS-105300-100.
3. PACKAGE SPECIFICATION: PK-105307-100.
4. THE COMPONENT COMPLIANT TO RoHS DIRECTIVE 2011/65/EU AND ELV DIRECTIVE 2000/53/EC.
5. TO MATE WITH TERMINAL OF 105300-****.
 TO MATE WITH TPA OF 105325-****.
 TO MATE WITH HEADER OF 105309-****, 105311-**** AND 105313-****.
6. PARTS CONFORM TO CLASS 'B' REQUIREMENTS OF COSMETIC SPECIFICATION PS-45499-002.
7. APPLICATION SPECIFICATION: AS-105300-100.

THIS DRAWING CONTAINS INFORMATION THAT IS PROPRIETARY TO MOLEX ELECTRONIC TECHNOLOGIES, LLC AND SHOULD NOT BE USED WITHOUT WRITTEN PERMISSION												
QUALITY SYMBOLS ▽A = 0 ▽E = 0 ▽F = 0 ▼ = 0 ▽C = 0 ⊗ = 0 ■ = 0 ▽ = 0	2016/03/30	2016/04/26	GENERAL TOLERANCES (UNLESS SPECIFIED)			DIMENSION UNITS	SCALE					
	EC NO: 103921 DRWN: GLLI CHK'D: APPR: AYIN	B REV	GLLI AYIN	ANGULAR TOL ± 3.0 °		MM	3:1					RECEPTACLE OF NANO-FIT, S/R, TPA POWER CONNECTOR
				4 PLACES ±	DRWN BY		DATE					
				3 PLACES ±	GLLI		2014/08/13		PRODUCT CUSTOMER DRAWING			
				2 PLACES ± 0.2	CHK'D BY		DATE					
				1 PLACE ± 0.3	APPR BY		DATE		SERIES	MATERIAL NUMBER	CUSTOMER	
				0 PLACES ±	AYIN		2015/04/08		105307	SEE SHEET 4	GENERAL MARKET	
DRAFT WHERE APPLICABLE MUST REMAIN WITHIN DIMENSIONS			DRAWING SIZE	THIRD ANGLE PROJECTION	DOCUMENT NUMBER		DOC TYPE	DOC PART	SHEET NUMBER			
			A3		SD-105307-100		PSD	000	1 OF 4			


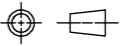


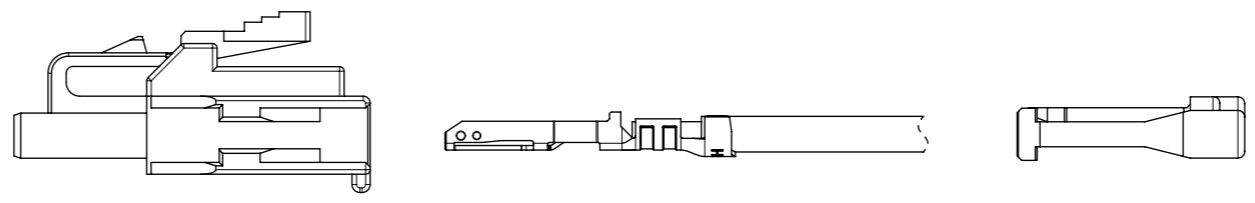
BLACK



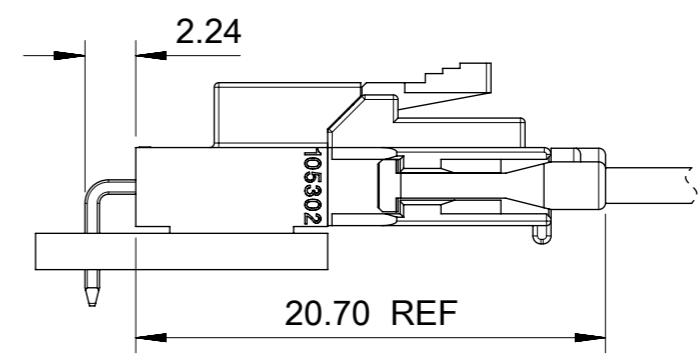
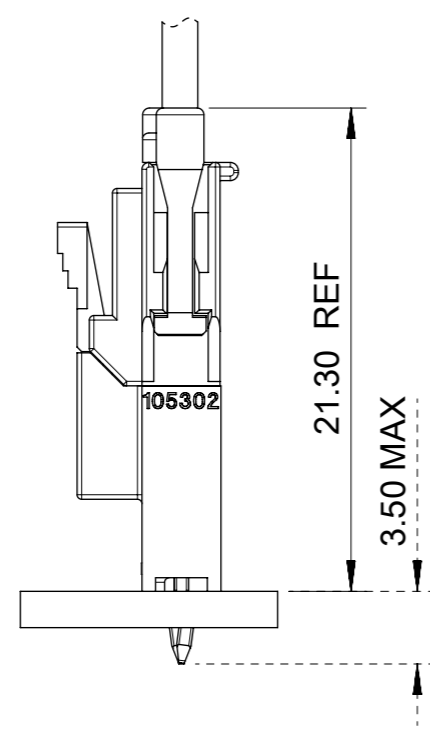
NATURAL

COLOR OPTION

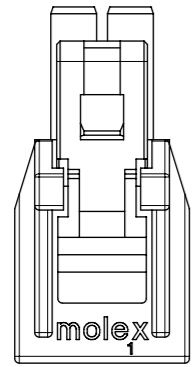
THIS DRAWING CONTAINS INFORMATION THAT IS PROPRIETARY TO MOLEX ELECTRONIC TECHNOLOGIES, LLC AND SHOULD NOT BE USED WITHOUT WRITTEN PERMISSION												
QUALITY SYMBOLS ▽ _A = 0 ▽ _E = 0 ▽ _B = 0 ▼ = 0 ▽ = 0 ⊠ = 0 ■ = 0 ▽ = 0		2016/03/30 2016/04/26 EC NO: 103921 DRWN: GLLI CHK'D: AYIN APPR: AYIN		GENERAL TOLERANCES (UNLESS SPECIFIED) ANGULAR TOL ± 3.0 ° 4 PLACES ± 3 PLACES ± 2 PLACES ± 0.2 1 PLACE ± 0.3 0 PLACES ± DRAFT WHERE APPLICABLE MUST REMAIN WITHIN DIMENSIONS		DIMENSION UNITS MM		SCALE 3:1		 RECEPTACLE OF NANO-FIT, S/R, TPA POWER CONNECTOR		
				DRWN BY GLLI		DATE 2014/08/13						
				CHK'D BY 		DATE 		PRODUCT CUSTOMER DRAWING				
				APPR BY AYIN		DATE 2015/04/08						
				DRAFT WHERE APPLICABLE MUST REMAIN WITHIN DIMENSIONS		DRAWING SIZE A3		THIRD ANGLE PROJECTION 		SERIES 105307	MATERIAL NUMBER SEE SHEET 4	CUSTOMER GENERAL MARKET
								DOCUMENT NUMBER SD-105307-100	DOC TYPE PSD	DOC PART 000	SHEET NUMBER 2 OF 4	



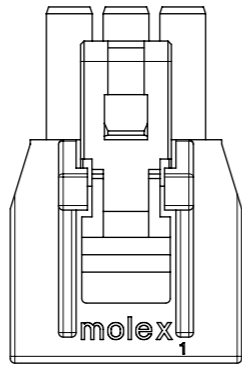
←
TERMINAL AND TPA ORIENTATION



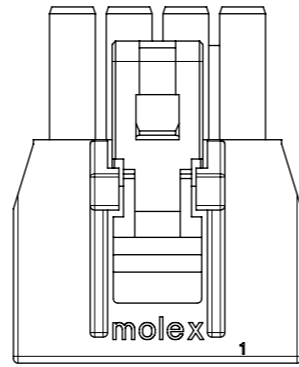
QUALITY SYMBOLS ▽ _A = 0 ▽ _E = 0 ▽ _F = 0 ▼ = 0 ▽ _C = 0 ⊗ = 0 ■ = 0 ▽ = 0	THIS DRAWING CONTAINS INFORMATION THAT IS PROPRIETARY TO MOLEX ELECTRONIC TECHNOLOGIES, LLC AND SHOULD NOT BE USED WITHOUT WRITTEN PERMISSION									
	2016/03/30	2016/04/26	GENERAL TOLERANCES (UNLESS SPECIFIED)		DIMENSION UNITS	SCALE				
			ANGULAR TOL ± 3.0 °		MM	3:1				
	EC NO: 103921 DRWN: GLLI CHK'D: AYIN APPR: AYIN	4 PLACES	±	DRWN BY	DATE	RECEPTACLE OF NANO-FIT, S/R, TPA POWER CONNECTOR				
		3 PLACES	±	GLLI	2014/08/13					
		2 PLACES	± 0.2	CHK'D BY	DATE					
		1 PLACE	± 0.3	APPR BY	DATE					
		0 PLACES	±	AYIN	2015/04/08					
	DRAFT WHERE APPLICABLE MUST REMAIN WITHIN DIMENSIONS		DRAWING SIZE	THIRD ANGLE PROJECTION	PRODUCT CUSTOMER DRAWING					
			A3		SERIES	MATERIAL NUMBER	CUSTOMER			
				105307	SEE SHEET 4	GENERAL MARKET				
				DOCUMENT NUMBER		DOC TYPE	DOC PART	SHEET NUMBER		
				SD-105307-100		PSD	000	3 OF 4		



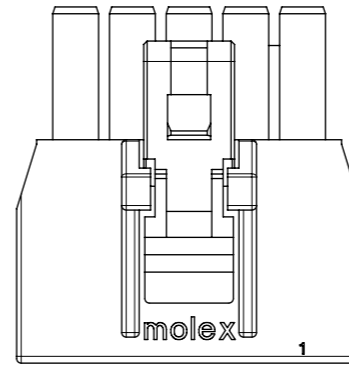
2 CKT



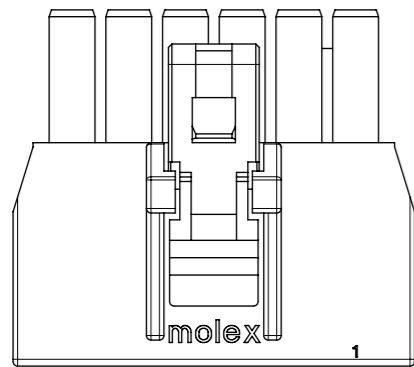
3 CKT



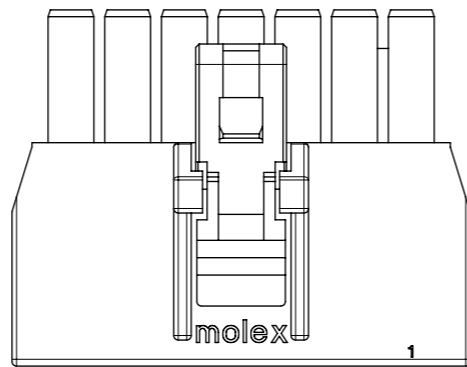
4 CKT



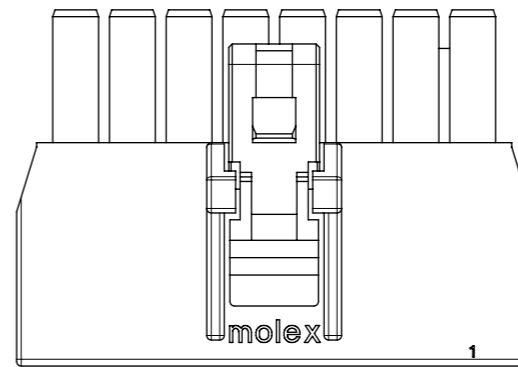
5 CKT



6 CKT



7 CKT



8 CKT

WITH TPA FEATURE			
PART No	DIM 'A'	CKT SIZE	COLOR
105307-1202	7.70	2	BLACK (KEY A)
105307-1203	10.20	3	
105307-1204	12.70	4	
105307-1205	15.20	5	
105307-1206	17.70	6	
105307-1207	20.20	7	
105307-1208	22.70	8	
105307-2202	7.70	2	
105307-2203	10.20	3	
105307-2204	12.70	4	
105307-2205	15.20	5	
105307-2206	17.70	6	
105307-2207	20.20	7	
105307-2208	22.70	8	

105307- * * * *

CIRCUIT SIZE

TPA OPTION: 1 - STANDARD
2 - WITH TPA

COLOR OPTION: 1 - BLACK
2 - NATURAL

THIS DRAWING CONTAINS INFORMATION THAT IS PROPRIETARY TO MOLEX ELECTRONIC TECHNOLOGIES, LLC AND SHOULD NOT BE USED WITHOUT WRITTEN PERMISSION											
QUALITY SYMBOLS	2016/03/30	2016/04/26	GENERAL TOLERANCES (UNLESS SPECIFIED)		DIMENSION UNITS	SCALE					
			ANGULAR TOL ± 3.0 °		MM	3:1					
▽A = 0	EC NO: 103921	DRWN: GLLI	4 PLACES ±	DRAFT WHERE APPLICABLE MUST REMAIN WITHIN DIMENSIONS	DRWN BY	DATE	RECEPTACLE OF NANO-FIT, S/R, TPA POWER CONNECTOR				
▽E = 0			3 PLACES ±		GLLI	2014/08/13					
▽B = 0			2 PLACES ± 0.2		CHK'D BY	DATE	PRODUCT CUSTOMER DRAWING				
▼ = 0			1 PLACE ± 0.3		APP'R BY	DATE					
▽C = 0			0 PLACES ±		AYIN	2015/04/08	SERIES	MATERIAL NUMBER	CUSTOMER		
⊠ = 0			DRAWING SIZE		THIRD ANGLE PROJECTION		105307	SEE CHART	GENERAL MARKET		
■ = 0	A3				DOCUMENT NUMBER		DOC TYPE	DOC PART	SHEET NUMBER		
▽ = 0	B				SD-105307-100		PSD	000	4 OF 4		