



Chipsmall Limited consists of a professional team with an average of over 10 year of expertise in the distribution of electronic components. Based in Hongkong, we have already established firm and mutual-benefit business relationships with customers from,Europe,America and south Asia,supplying obsolete and hard-to-find components to meet their specific needs.

With the principle of “Quality Parts,Customers Priority,Honest Operation,and Considerate Service”,our business mainly focus on the distribution of electronic components. Line cards we deal with include Microchip,ALPS,ROHM,Xilinx,Pulse,ON,Everlight and Freescale. Main products comprise IC,Modules,Potentiometer,IC Socket,Relay,Connector.Our parts cover such applications as commercial,industrial, and automotives areas.

We are looking forward to setting up business relationship with you and hope to provide you with the best service and solution. Let us make a better world for our industry!



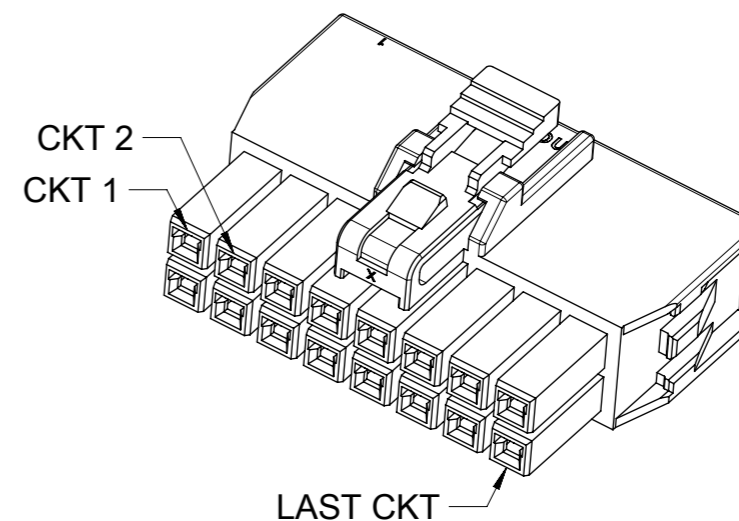
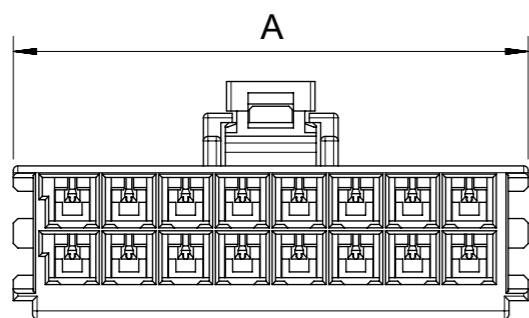
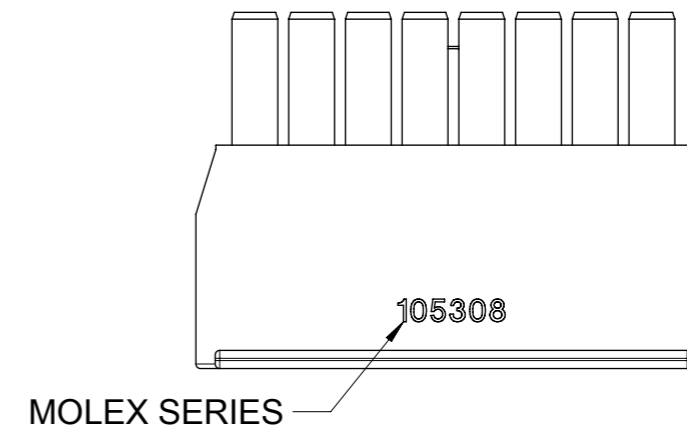
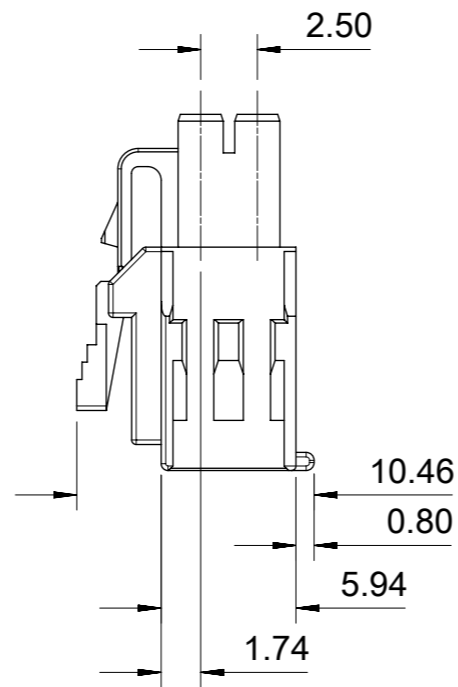
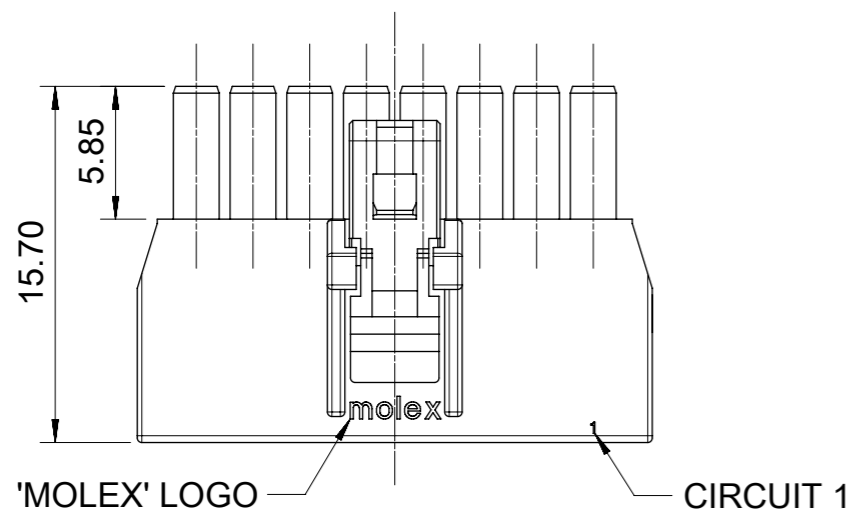
Contact us

Tel: +86-755-8981 8866 Fax: +86-755-8427 6832

Email & Skype: info@chipsmall.com Web: www.chipsmall.com

Address: A1208, Overseas Decoration Building, #122 Zhenhua RD., Futian, Shenzhen, China

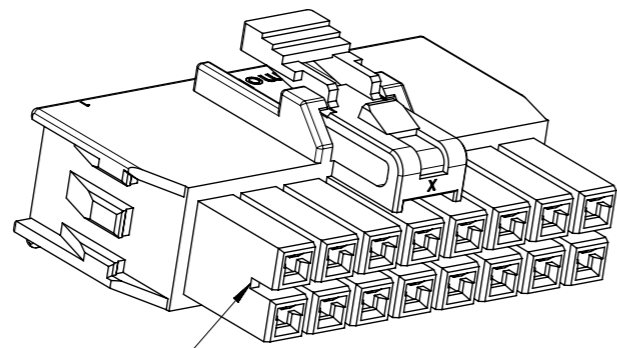




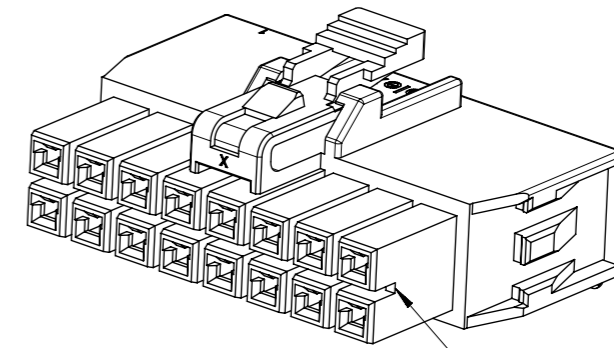
NOTES:

1. MATERIAL:
 OPTION 1: PA4T, 30% GLASS FILLED, 94V-0, BLACK
 OPTION 2: PA4T, 30 GLASS FILLED, 94V-0, NATUAL.
2. PRODUCT SPECIFICATION: PS-105300-100.
3. PACKAGE SPECIFICATION: PK-105308-100.
4. THE COMPONENT COMPLIANT TO RoHS DIRECTIVE 2011/65/EU AND ELV DIRECTIVE 2000/53/EC.
5. TO MATE WITH TERMINAL OF 105300-****.
 TO MATE WITH TPA OF 105325-****.
 TO MATE WITH HEADER OF 105310-****, 105312-**** AND 105314-****.
6. PARTS CONFORM TO CLASS 'B' REQUIREMENTS OF COSMETIC SPECIFICATION PS-45499-002.
7. APPLICATION SPECIFICATION: AS-105300-100.

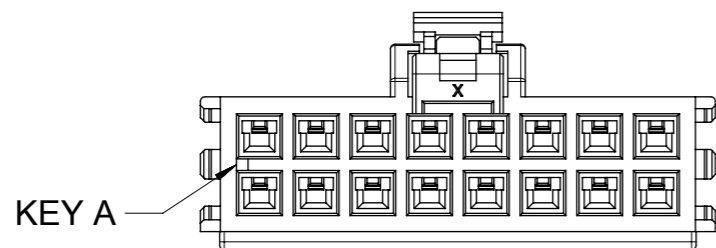
THIS DRAWING CONTAINS INFORMATION THAT IS PROPRIETARY TO MOLEX ELECTRONIC TECHNOLOGIES, LLC AND SHOULD NOT BE USED WITHOUT WRITTEN PERMISSION												
QUALITY SYMBOLS	2016/03/30	2016/04/26	GENERAL TOLERANCES (UNLESS SPECIFIED)		DIMENSION UNITS	SCALE	molex					
			ANGULAR TOL ± 3.0 °		MM	3:1						
▽A = 0	EC NO: 103921	DRWN: GLLI	4 PLACES	±	DRWN BY	DATE	RECEPTACLE OF NANO-FIT, D/R, TPA POWER CONNECTOR					
▽E = 0			3 PLACES	±	GLLI	2014/08/13						
▽B = 0			2 PLACES	± 0.2	CHK'D BY	DATE	PRODUCT CUSTOMER DRAWING					
▼ = 0			1 PLACE	± 0.3	APPR BY	DATE						
▽C = 0			0 PLACES	±	AYIN	2015/04/08	SERIES	MATERIAL NUMBER	CUSTOMER			
⊗ = 0			DRAFT WHERE APPLICABLE MUST REMAIN WITHIN DIMENSIONS		DRAWING SIZE	THIRD ANGLE PROJECTION	105308	SEE SHEET 4	GENERAL MARKET			
■ = 0	B	REV			A3	DOCUMENT NUMBER		DOC TYPE	DOC PART	SHEET NUMBER		
▽ = 0						SD-105308-100	PSD	000	1 OF 4			



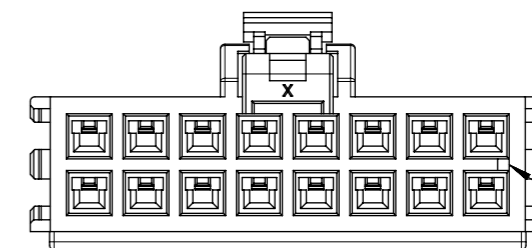
KEY A



KEY B



KEY A



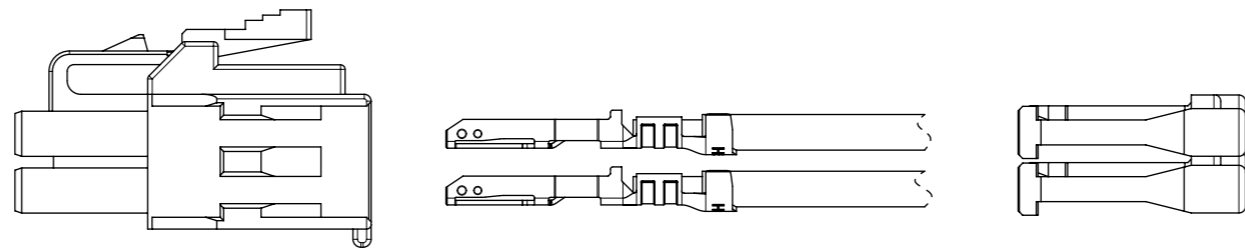
KEY B

BLACK

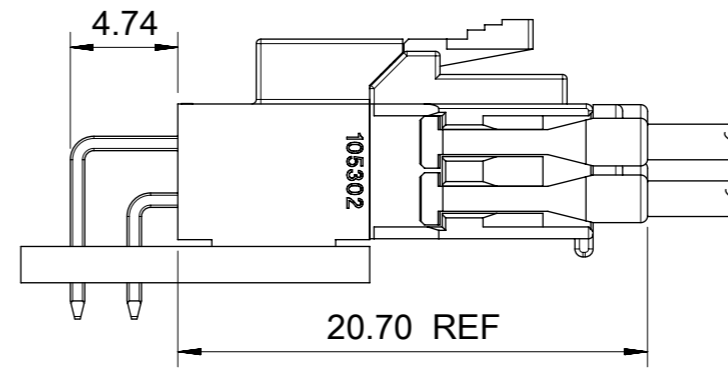
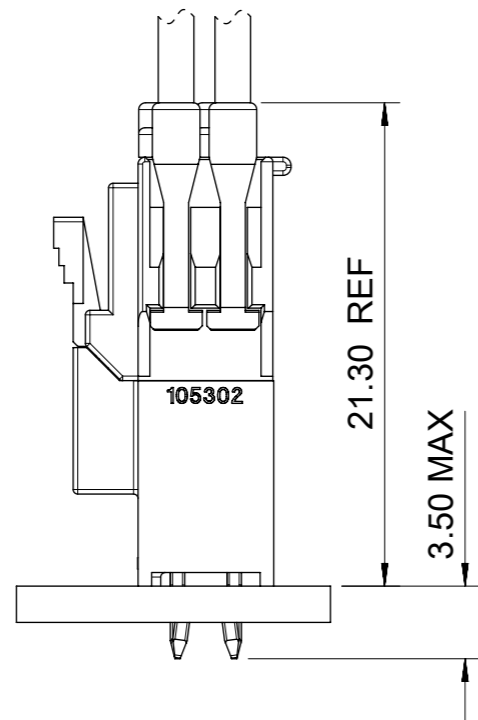
NATURAL

COLOR OPTION

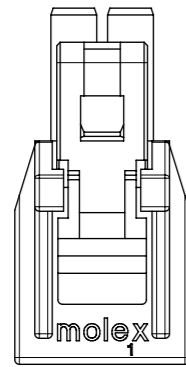
THIS DRAWING CONTAINS INFORMATION THAT IS PROPRIETARY TO MOLEX ELECTRONIC TECHNOLOGIES, LLC AND SHOULD NOT BE USED WITHOUT WRITTEN PERMISSION													
QUALITY SYMBOLS ▽ _A = 0 ▽ _E = 0 ▽ _F = 0 ▼ = 0 ▽ _C = 0 ⊠ = 0 ■ = 0 ▽ = 0	EC NO: 103921 DRWN: GLLI CHK'D: AYIN APPR: AYIN	2016/03/30 2016/04/26	GENERAL TOLERANCES (UNLESS SPECIFIED)		DIMENSION UNITS	SCALE							
			ANGULAR TOL ± 3.0 °		MM	3:1							
			4 PLACES ±	DRWN BY		DATE		RECEPTACLE OF NANO-FIT, D/R, TPA POWER CONNECTOR					
			3 PLACES ±	GLLI		2014/08/13							
			2 PLACES ± 0.2	CHK'D BY		DATE		PRODUCT CUSTOMER DRAWING					
			1 PLACE ± 0.3	AYIN		2015/04/08							
			0 PLACES ±	APPR BY		DATE		SERIES	MATERIAL NUMBER	CUSTOMER			
			DRAFT WHERE APPLICABLE MUST REMAIN WITHIN DIMENSIONS	DRAWING SIZE		THIRD ANGLE PROJECTION		105308	SEE SHEET 4	GENERAL MARKET			
				A3				DOCUMENT NUMBER		DOC TYPE	DOC PART	SHEET NUMBER	
				B				SD-105308-100		PSD	000	2 OF 4	



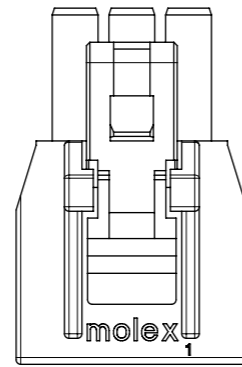
←
TERMINAL AND TPA ORIENTATION



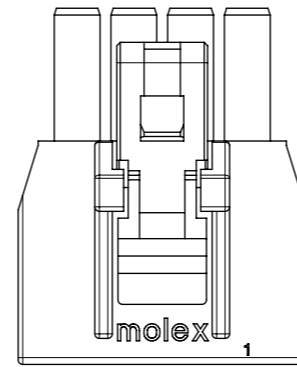
QUALITY SYMBOLS ▽ _A = 0 ▽ _E = 0 ▽ _F = 0 ▼ = 0 ▽ _C = 0 ⊗ = 0 ■ = 0 ▽ = 0	THIS DRAWING CONTAINS INFORMATION THAT IS PROPRIETARY TO MOLEX ELECTRONIC TECHNOLOGIES, LLC AND SHOULD NOT BE USED WITHOUT WRITTEN PERMISSION									
	2016/03/30 2016/04/26	GENERAL TOLERANCES (UNLESS SPECIFIED)		DIMENSION UNITS	SCALE					
		ANGULAR TOL ± 3.0 °		MM	3:1					
	EC NO: 103921 DRWN: GLLI CHK'D: AYIN REV: B	4 PLACES	±	DRWN BY	DATE					
		3 PLACES	±	GLLI	2014/08/13					
		2 PLACES	± 0.2	CHK'D BY	DATE					
		1 PLACE	± 0.3	APPR BY	DATE	PRODUCT CUSTOMER DRAWING				
	0 PLACES	±	AYIN	2015/04/08	SERIES	MATERIAL NUMBER	CUSTOMER			
	DRAFT WHERE APPLICABLE MUST REMAIN WITHIN DIMENSIONS		DRAWING SIZE	THIRD ANGLE PROJECTION	105308	SEE SHEET 4	GENERAL MARKET			
			A3		DOCUMENT NUMBER	DOC TYPE	DOC PART	SHEET NUMBER		
				SD-105308-100	PSD	000	3 OF 4			



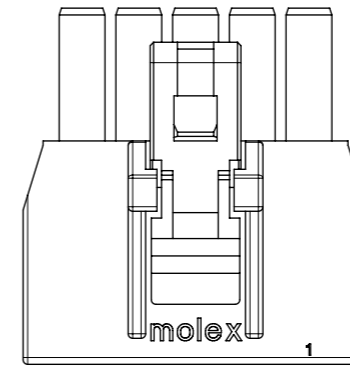
4 CKT



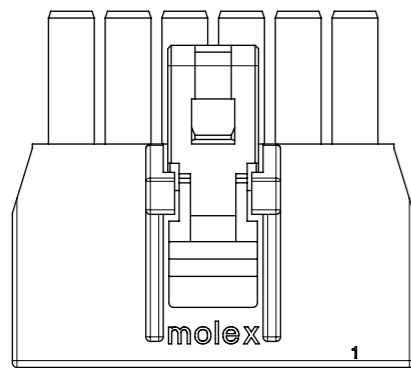
6 CKT



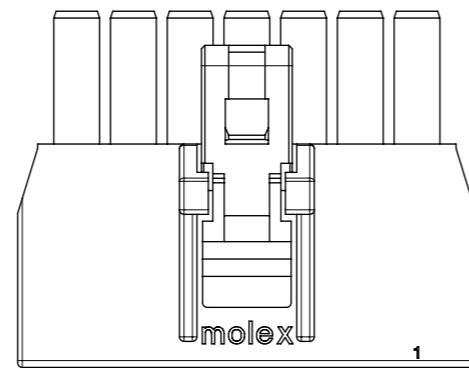
8 CKT



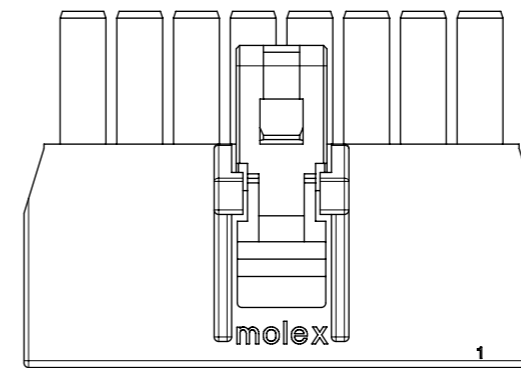
10 CKT



12 CKT

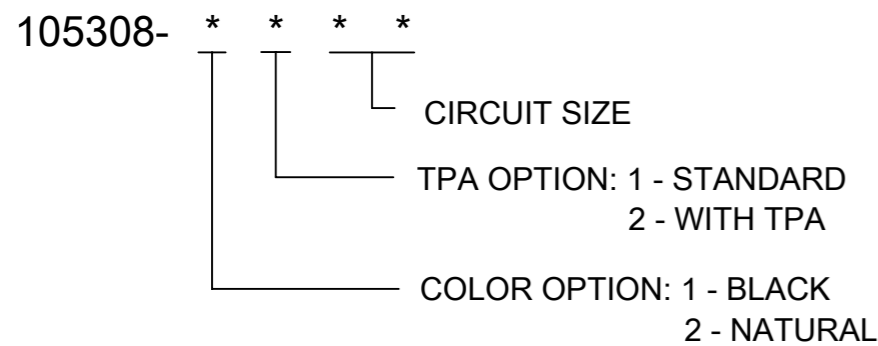


14 CKT



16 CKT

WITH TPA FEATURE			
PART No	DIM 'A'	CKT SIZE	COLOR
105308-1204	7.70	4	BLACK (KEY A)
105308-1206	10.20	6	
105308-1208	12.70	8	
105308-1210	15.20	10	
105308-1212	17.70	12	
105308-1214	20.20	14	
105308-2204	7.70	4	NATURAL (KEY B)
105308-2206	10.20	6	
105308-2208	12.70	8	
105308-2210	15.20	10	
105308-2212	17.70	12	
105308-2214	20.20	14	
105308-2216	22.70	16	



THIS DRAWING CONTAINS INFORMATION THAT IS PROPRIETARY TO MOLEX ELECTRONIC TECHNOLOGIES, LLC AND SHOULD NOT BE USED WITHOUT WRITTEN PERMISSION											
QUALITY SYMBOLS	2016/03/30	2016/04/26	GENERAL TOLERANCES (UNLESS SPECIFIED)		DIMENSION UNITS	SCALE					
			ANGULAR TOL ± 3.0 °		MM	3:1					
▽A = 0	EC NO: 103921	DRWN: GLLI	4 PLACES ±	DRAFT WHERE APPLICABLE MUST REMAIN WITHIN DIMENSIONS	DRWN BY	DATE	RECEPTACLE OF NANO-FIT, D/R, TPA POWER CONNECTOR				
▽E = 0			3 PLACES ±		GLLI	2014/08/13					
▽F = 0			2 PLACES ± 0.2		CHK'D BY	DATE	PRODUCT CUSTOMER DRAWING				
▽ = 0			1 PLACE ± 0.3		APP'R BY	DATE					
▽C = 0			0 PLACES ±		AYIN	2015/04/08	SERIES	MATERIAL NUMBER	CUSTOMER		
▽ = 0			REV APPR: AYIN		DRAWING SIZE		THIRD ANGLE PROJECTION		105308	SEE CHART	GENERAL MARKET
▽ = 0	B		A3				DOCUMENT NUMBER		DOC TYPE	DOC PART	SHEET NUMBER
							SD-105308-100		PSD	000	4 OF 4