



Chipsmall Limited consists of a professional team with an average of over 10 year of expertise in the distribution of electronic components. Based in Hongkong, we have already established firm and mutual-benefit business relationships with customers from,Europe,America and south Asia,supplying obsolete and hard-to-find components to meet their specific needs.

With the principle of "Quality Parts,Customers Priority,Honest Operation,and Considerate Service",our business mainly focus on the distribution of electronic components. Line cards we deal with include Microchip,ALPS,ROHM,Xilinx,Pulse,ON,Everlight and Freescale. Main products comprise IC,Modules,Potentiometer,IC Socket,Relay,Connector.Our parts cover such applications as commercial,industrial, and automotives areas.

We are looking forward to setting up business relationship with you and hope to provide you with the best service and solution. Let us make a better world for our industry!



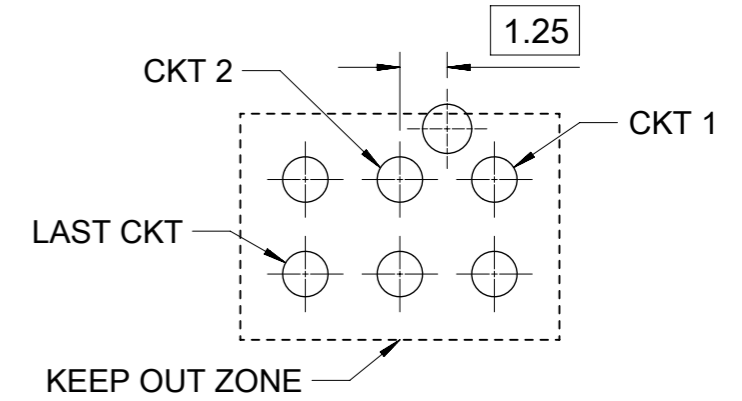
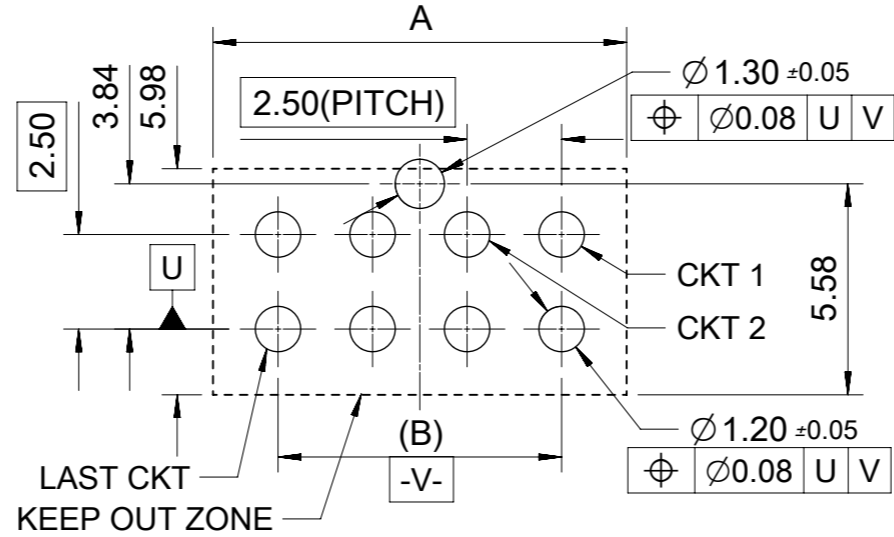
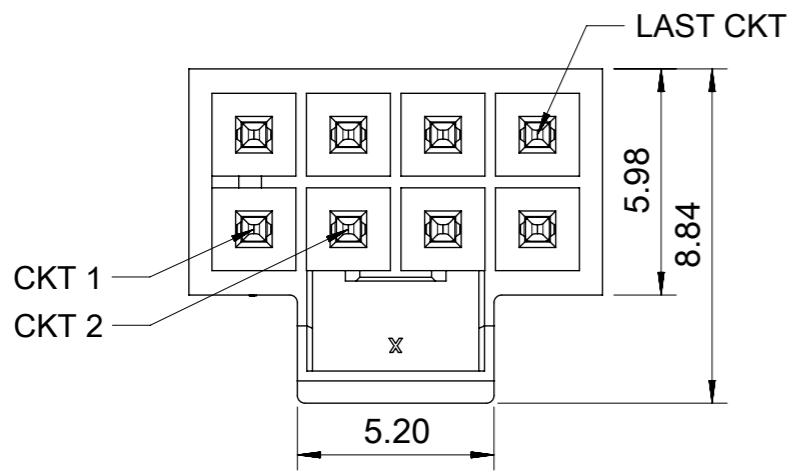
Contact us

Tel: +86-755-8981 8866 Fax: +86-755-8427 6832

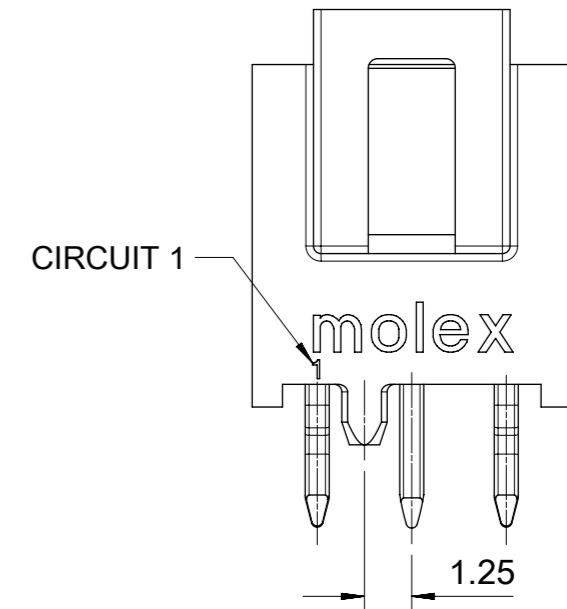
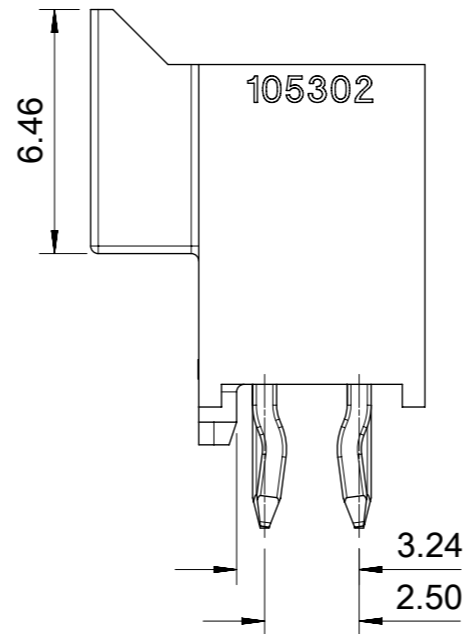
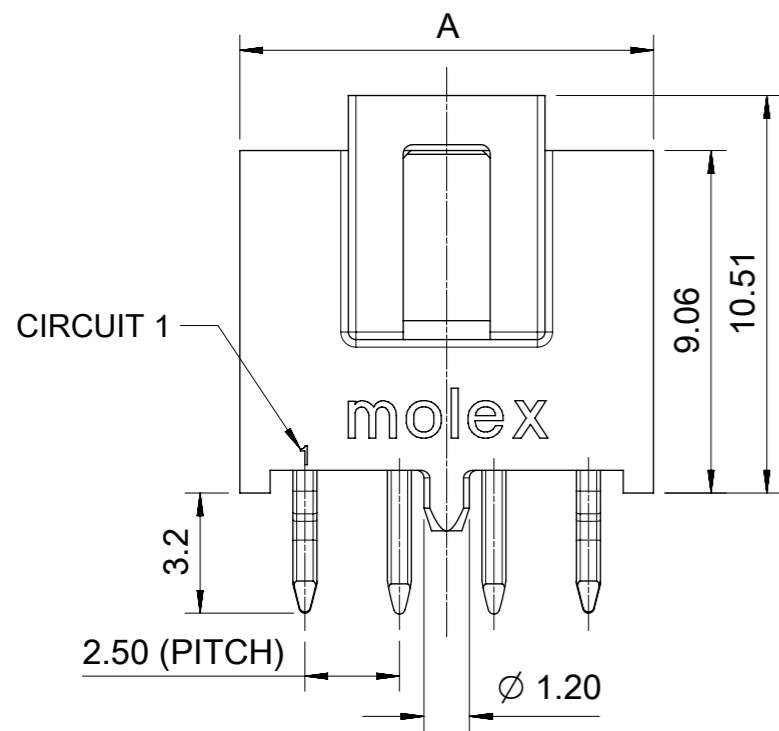
Email & Skype: info@chipsmall.com Web: www.chipsmall.com

Address: A1208, Overseas Decoration Building, #122 Zhenhua RD., Futian, Shenzhen, China

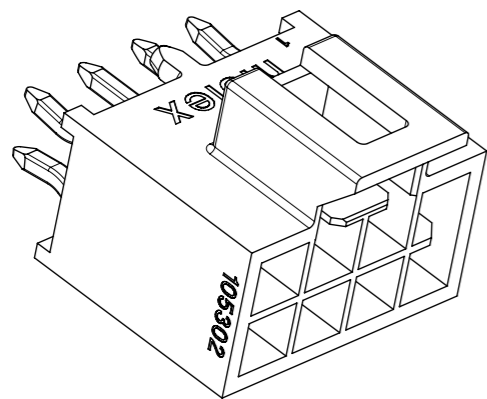




RECOMMENDED PCB(CONNECTOR SIDE VIEW)
THICKNESS=1.6 TO 2.4 MM

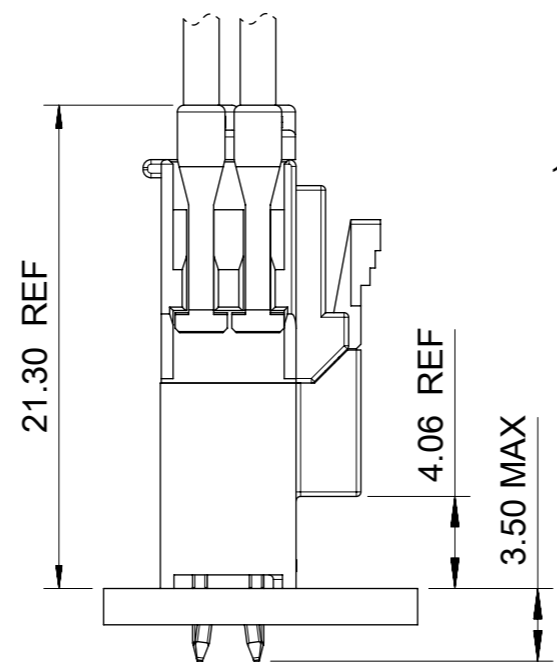


ONLY FOR CKT 6, 10, 14
OTHER DIMENSIONS REFER TO LEFT VIEWS.



THIS DRAWING CONTAINS INFORMATION THAT IS PROPRIETARY TO MOLEX ELECTRONIC TECHNOLOGIES, LLC AND SHOULD NOT BE USED WITHOUT WRITTEN PERMISSION									
QUALITY SYMBOLS	2016/06/21	2016/07/05	GENERAL TOLERANCES (UNLESS SPECIFIED)		DIMENSION UNITS	SCALE			
			4 PLACES	±	MM	5:1			
▽A = 0	EC NO: 106006 DRWN: GLLI CHK'D: AYIN REV: C	APP: AYIN	ANGULAR TOL ± 3.0 °		DRWN BY	DATE	HEADER OF NANO-FIT, D/R, KINK, VERTICAL POWER CONNECTOR		
▽E = 0			2 PLACES	± 0.1	GLLI	2013/10/30			
▽F = 0			3 PLACES	±	CHK'D BY	DATE	PRODUCT CUSTOMER DRAWING		
▼ = 0			1 PLACE	± 0.3	APP: AYIN	DATE			
▽C = 0			0 PLACES	±	AYIN	2015/04/08	105310	SEE SHEET 2	GENERAL MARKET
⊗ = 0			DRAFT WHERE APPLICABLE MUST REMAIN WITHIN DIMENSIONS		DRAWING SIZE	THIRD ANGLE PROJECTION	DOCUMENT NUMBER		
■ = 0			A3		SD-105310-100	DOC TYPE	DOC PART	SHEET NUMBER	
▽ = 0					PSD	000	1 OF 3		

PART NUMBER	DIM 'A'	DIM 'B'	CKT SIZE	PLATING
105310-1204	5.94	2.50	4	GOLD 0.38
105310-1206	8.44	5.00	6	
105310-1208	10.94	7.50	8	
105310-1210	13.44	10.00	10	
105310-1212	15.94	12.50	12	
105310-1214	18.44	15.00	14	
105310-1216	20.94	17.50	16	
105310-1304	5.94	2.50	4	
105310-1306	8.44	5.00	6	
105310-1308	10.94	7.50	8	
105310-1310	13.44	10.00	10	
105310-1312	15.94	12.50	12	
105310-1314	18.44	15.00	14	
105310-1316	20.94	17.50	16	
TBD				TIN
COLOR: BLACK				



105310- * * * *

- CIRCUIT SIZE
- PLATING OPTION
 - 1 - TIN
 - 2 - GOLD 0.38
 - 3 - GOLD 0.76
- COLOR OPTION
 - 1 - BLACK
 - 2 - NATURAL

PART NUMBER	DIM 'A'	DIM 'B'	CKT SIZE	PLATING
105310-2204	5.94	2.50	4	GOLD 0.38
105310-2206	8.44	5.00	6	
105310-2208	10.94	7.50	8	
105310-2210	13.44	10.00	10	
105310-2212	15.94	12.50	12	
105310-2214	18.44	15.00	14	
105310-2216	20.94	17.50	16	
105310-2304	5.94	2.50	4	
105310-2306	8.44	5.00	6	
105310-2308	10.94	7.50	8	
105310-2310	13.44	10.00	10	
105310-2312	15.94	12.50	12	
105310-2314	18.44	15.00	14	
105310-2316	20.94	17.50	16	
TBD				TIN
COLOR: NATURAL				

NOTES FOR ALL PARTS

1> MATERIAL:
HOUSING: LCP; TERMINAL: BRASS; SOLDER CLIP: BRASS.

2> PLATING FINISHED:
TERMINAL:
CONTACT AREA: a. TIN 1.5MICRONS MIN; b. GOLD 0.38 MICRONS MIN;
c. GOLD 0.76 MICRONS MIN.
SOLDER AREA: TIN 1.5 MICRONS MIN, UNDER PLATING NICKEL 1.25 MICRONS MIN.
SOLDER CLIP: TIN 2.5 MICRONS MIN, UNDER PLATING NICKEL 1.25 MICRONS MIN.

3> PRODUCT SPECIFICATION: PS-105300-100.

4> PACKAGE: TRAY, PK-105309-100.

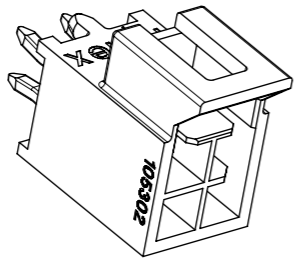
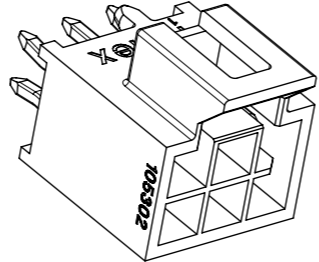
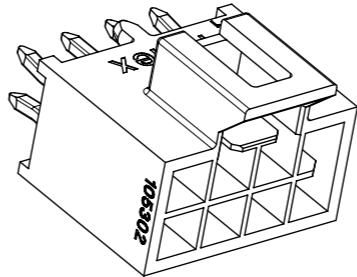
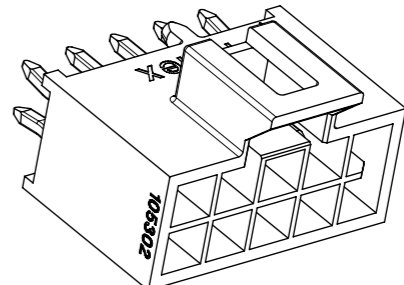
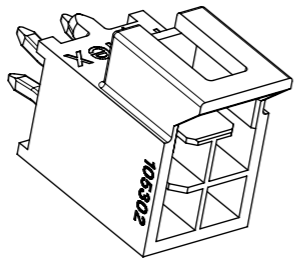
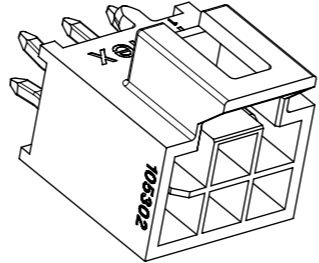
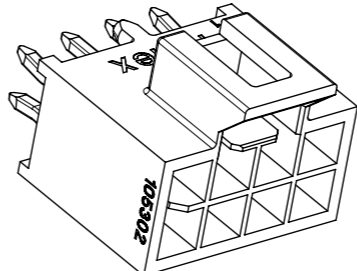
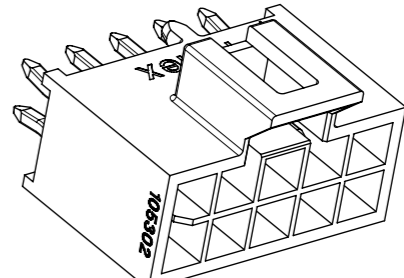
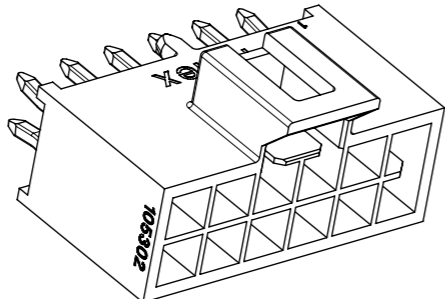
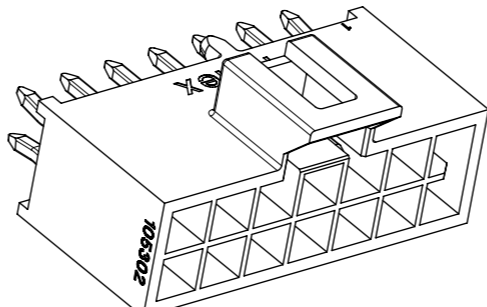
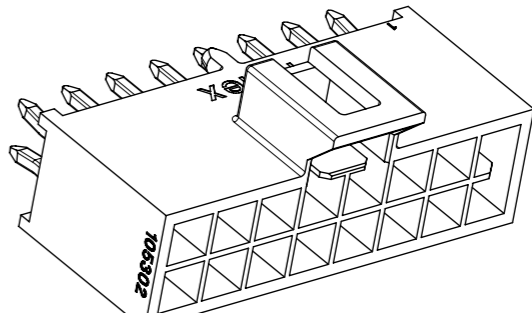
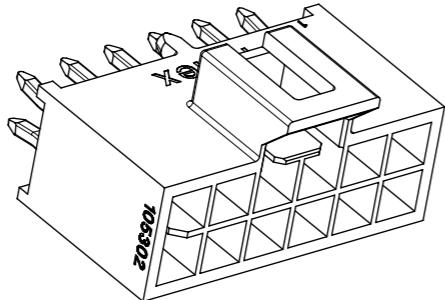
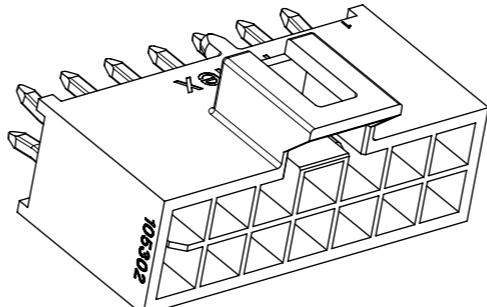
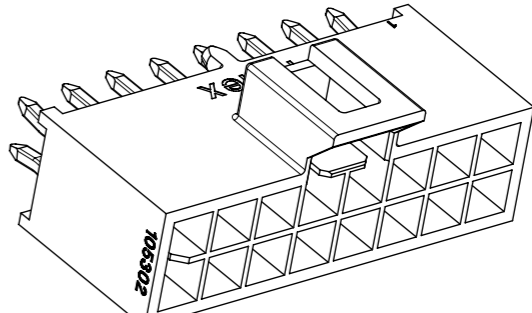
5> ALL COMPONENTS AND PRODUCT COMPLIANT TO RoHS DIRECTIVE 2011/65/EU AND ELV DIRECTIVE 2000/53/EC.

6> PRODUCT MATE WITH SERIES OF 105308(RECEPTACLE), 105300(CRIMP TERMINAL).


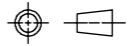
7> PARTS CONFORM TO CLASS 'B'REQUIREMENTS OF COSMETIC SPECIFICATION PS-45499-002.

8> DISCOLORATION IN THE BANDOLIER PIN CARRIER AREA OF THE PIN IS INHERENT TO THE PLATING PROCESS AND IS DUE TO THE MASKING DEFECT OF THE CARRIER, THIS DISCOLORATION IS IN A NON-FUNCTION AREA OF THE PIN AND WILL NOT AFFECT THE PERFORMANCE OF THE HEADER ASSEMBLY.

QUALITY SYMBOLS ▽A = 0 ▽E = 0 ▽B = 0 ▼ = 0 ▽C = 0 ⊗ = 0 ■ = 0 ▽ = 0	THIS DRAWING CONTAINS INFORMATION THAT IS PROPRIETARY TO MOLEX ELECTRONIC TECHNOLOGIES, LLC AND SHOULD NOT BE USED WITHOUT WRITTEN PERMISSION			
	2016/06/21	2016/07/05	GENERAL TOLERANCES (UNLESS SPECIFIED)	DIMENSION UNITS: MM
	EC NO: 106006 DRWN: GLLI CHK'D: APPR: AYIN	ANGULAR TOL ± 3.0 °		SCALE: 3:1
		4 PLACES ±	DRWN BY: GLLI	DATE: 2013/10/30
3 PLACES ± 0.1		CHK'D BY:	DATE:	
2 PLACES ± 0.2	APPR BY: AYIN	DATE: 2015/04/08		
1 PLACE ± 0.3	DRAWING SIZE: A3	THIRD ANGLE PROJECTION		
0 PLACES ±	DRAFT WHERE APPLICABLE MUST REMAIN WITHIN DIMENSIONS		PRODUCT CUSTOMER DRAWING SERIES: 105310 MATERIAL NUMBER: SEE CHART CUSTOMER: GENERAL MARKET	
	RELEASE STATUS: P1 RELEASE DATE: 06.07.2016 08:27:36	DOCUMENT NUMBER: SD-105310-100 DOC TYPE: PSD DOC PART: 000 SHEET NUMBER: 2 OF 3		

		4 CKT	6 CKT	8 CKT	10 CKT
BLACK					
NATURAL					
		12 CKT	14 CKT	16 CKT	
BLACK					
NATURAL					

C

THIS DRAWING CONTAINS INFORMATION THAT IS PROPRIETARY TO MOLEX ELECTRONIC TECHNOLOGIES, LLC AND SHOULD NOT BE USED WITHOUT WRITTEN PERMISSION																	
QUALITY SYMBOLS ▽ = 0 ▽ = 0 ▽ = 0 ▽ = 0 ▽ = 0 ▽ = 0 ▽ = 0 ▽ = 0 ▽ = 0 ▽ = 0		2016/06/21 2016/07/05 EC NO: 106006 DRWN: GLLI CHK'D: AYIN APPR: AYIN		GENERAL TOLERANCES (UNLESS SPECIFIED) ANGULAR TOL ± 3.0 ° 4 PLACES ± 3 PLACES ± 0.1 2 PLACES ± 0.2 1 PLACE ± 0.3 0 PLACES ± DRAFT WHERE APPLICABLE MUST REMAIN WITHIN DIMENSIONS		DIMENSION UNITS MM		SCALE 3:1		 HEADER OF NANO-FIT, D/R, KINK, VERTICAL POWER CONNECTOR							
						DRWN BY GLLI		DATE 2013/10/30									
						CHK'D BY AYIN		DATE 2015/04/08		PRODUCT CUSTOMER DRAWING							
						APPR BY AYIN		DATE 2015/04/08									
						DRAWING SIZE A3		THIRD ANGLE PROJECTION 		SERIES 105310		MATERIAL NUMBER SEE SHEET 2		CUSTOMER GENERAL MARKET			
										DOCUMENT NUMBER SD-105310-100		DOC TYPE PSD		DOC PART 000		SHEET NUMBER 3 OF 3	