



Chipsmall Limited consists of a professional team with an average of over 10 year of expertise in the distribution of electronic components. Based in Hongkong, we have already established firm and mutual-benefit business relationships with customers from,Europe,America and south Asia,supplying obsolete and hard-to-find components to meet their specific needs.

With the principle of “Quality Parts,Customers Priority,Honest Operation,and Considerate Service”,our business mainly focus on the distribution of electronic components. Line cards we deal with include Microchip,ALPS,ROHM,Xilinx,Pulse,ON,Everlight and Freescale. Main products comprise IC,Modules,Potentiometer,IC Socket,Relay,Connector.Our parts cover such applications as commercial,industrial, and automotives areas.

We are looking forward to setting up business relationship with you and hope to provide you with the best service and solution. Let us make a better world for our industry!



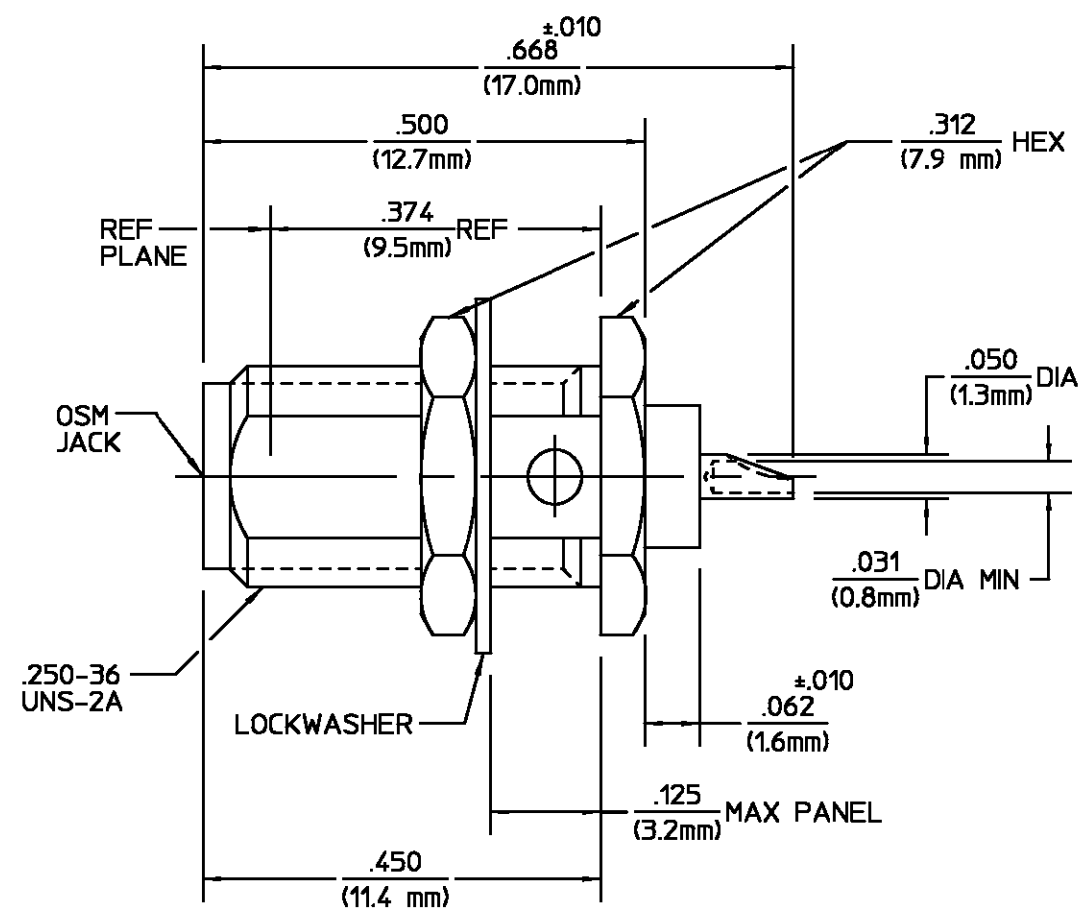
Contact us

Tel: +86-755-8981 8866 Fax: +86-755-8427 6832

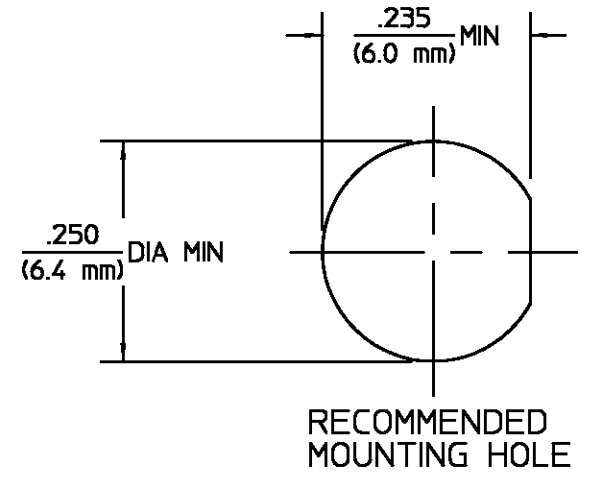
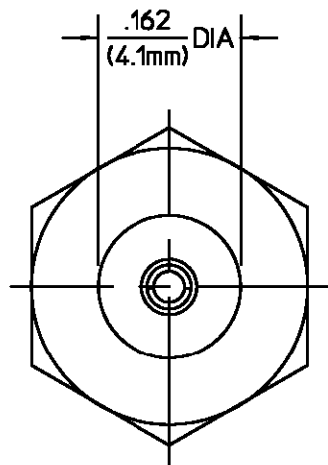
Email & Skype: info@chipsmall.com Web: www.chipsmall.com

Address: A1208, Overseas Decoration Building, #122 Zhenhua RD., Futian, Shenzhen, China





REVISIONS			
REV	DESCRIPTION	DATE	APPROVED
01 ₀	RELEASED	5/30/95	<i>M.M.</i>



ELECTRICAL
Nominal Impedance (Ohms) <u>50</u>
Frequency Range (GHz) <u>DC to 18.0</u>
Volt Rating (VRMS MAX) @ Sea Level <u>335</u>
VSWR <u>N/A</u>
Insertion Loss (dB MAX) <u>N/A</u>
RF Leakage (dB MIN) <u>N/A</u>
Corona, 70,000 Ft (VRMS MIN) <u>250</u>
Dielectric Withstanding Voltage (VRMS MIN) @ Sea Level <u>1000</u>
Contact Resistance (Milliohms MAX)
Center Contact <u>2.0</u>
Outer Contact <u>2.0</u>
Cable to Housing <u>N/A</u>
RF High Potential @ Sea Level (VRMS MIN @ 5 MHz) <u>670</u>
LR.(Megohms MIN) <u>10,000</u>

MECHANICAL
Interface Dimensions MIL-STD-348A, Fig. <u>310.2</u>
Recommended Mating Torque <u>N/A</u>
Mating Characteristics:
Insertion (MAX Lbs) <u>3.0</u>
Withdrawal (MIN Oz) <u>1.0</u>
Force to Engage and Disengage (In-Lbs MAX) <u>2.0</u>
Center Contact Captivation Axial (Lbs) <u>6.0</u>
Radial (In-Oz) <u>4.0</u>
Cable Retention Axial Force (Lbs) <u>N/A</u>
Torque (In-Oz) <u>N/A</u>
Weight (Grams) <u>TBD</u>

ENVIRONMENTAL
Temperature Rating <u>-65°C To 125°C</u>
Vibration MIL-STD-202, Method <u>204, Condition D</u>
Shock MIL-STD-202, Method 213, Condition I
Thermal Shock MIL-STD-202, Method 107, Condition B, Except High Temp +115°C
Moisture Resistance MIL-STD-202, Method 106, Except Vibration Shall Be Omitted
Corrosion - MIL-STD-202, Method <u>101, Condition B, 5% salt spray</u>

HOUSING LOCKWASHER MOUNTING NUT
DIELECTRIC
CENTER CONTACT
COMPONENT
UNLESS OTHERWISE SPECIFIED DIMENSIONS ARE IN INCHES TOLERANCE ON
FRAC. DEC. ANGLES
± 1/64 ±.005 ± °
These drawings and specifications are the property of Omni Spectra Incorporated and shall not be reproduced or copied or used in whole or in part as the basis for the manufacture or sale of item(s) without written permission.

STAINLESS STEEL PER ASTM-A484 AND ASTM-A582, TYPE 303
TFE FLUOROCARBON PER ASTM-D-1457
BERYLLIUM COPPER PER ASTM-B-196 OR ASTM-B-197, ALLOY C17300, CONDITION H
MATERIAL
DRAWN BY <i>M.M.</i> DATE <u>5/24/95</u>
CHECKED BY
APPD BY
USE ASS'Y PROCEDURE
NO. AP. <u>N/A</u>

GOLD PLATE PER MIL-G-45204			
N/A			
GOLD PLATE PER MIL-G-45204 OVER COPPER PLATE PER MIL-C-14550			
FINISH			
AMP Incorporated 140 Fourth Avenue Waltham, MA 02451-7599			
TITLE OSM BULKHEAD FEEDTHRU JACK RECEPTACLE SOLDER POT TERMINAL			
SIZE <u>B</u>	CODE IDENT NO. <u>26805</u>	<u>2056-5168-00</u>	REV <u>01₀</u>
SCALE <u>5:1</u>			SHEET 1 OF 1