



Chipsmall Limited consists of a professional team with an average of over 10 year of expertise in the distribution of electronic components. Based in Hongkong, we have already established firm and mutual-benefit business relationships with customers from,Europe,America and south Asia,supplying obsolete and hard-to-find components to meet their specific needs.

With the principle of “Quality Parts,Customers Priority,Honest Operation,and Considerate Service”,our business mainly focus on the distribution of electronic components. Line cards we deal with include Microchip,ALPS,ROHM,Xilinx,Pulse,ON,Everlight and Freescale. Main products comprise IC,Modules,Potentiometer,IC Socket,Relay,Connector.Our parts cover such applications as commercial,industrial, and automotives areas.

We are looking forward to setting up business relationship with you and hope to provide you with the best service and solution. Let us make a better world for our industry!



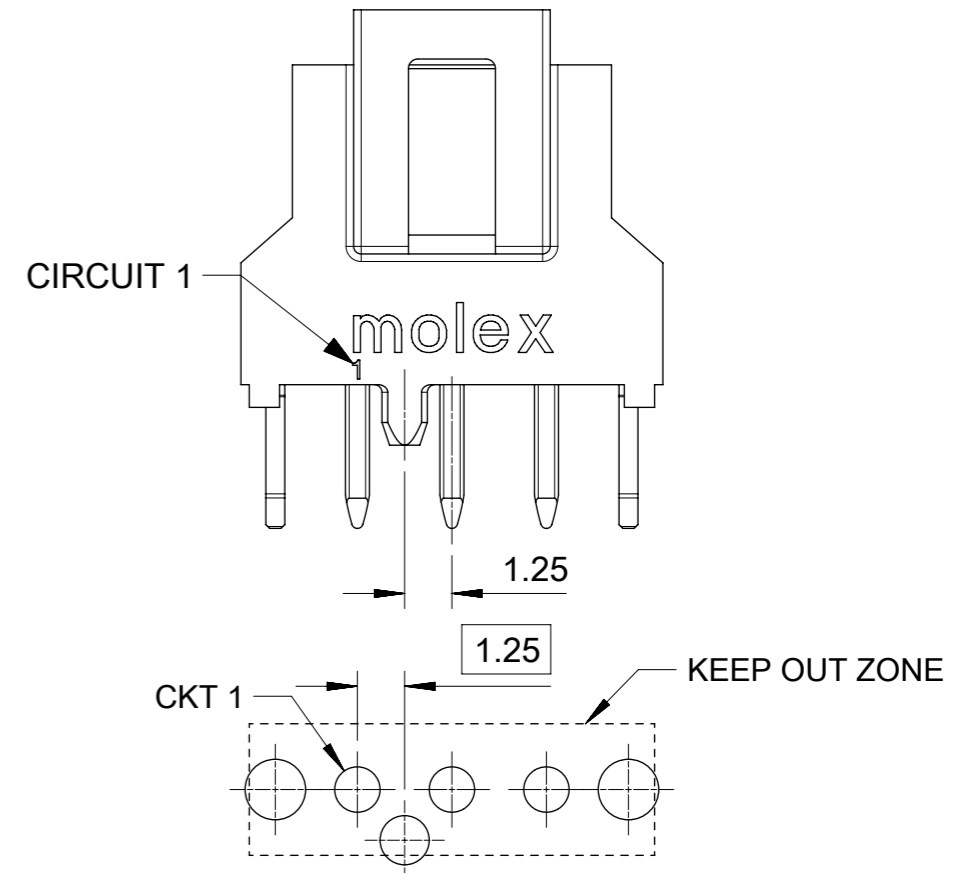
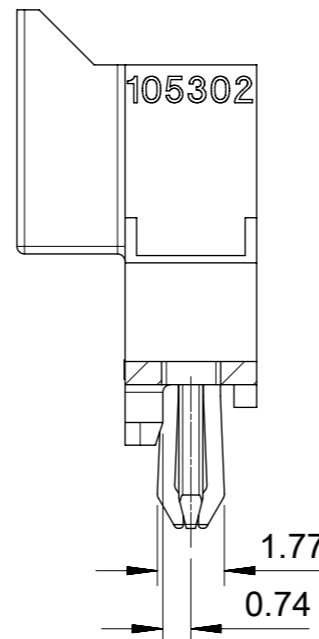
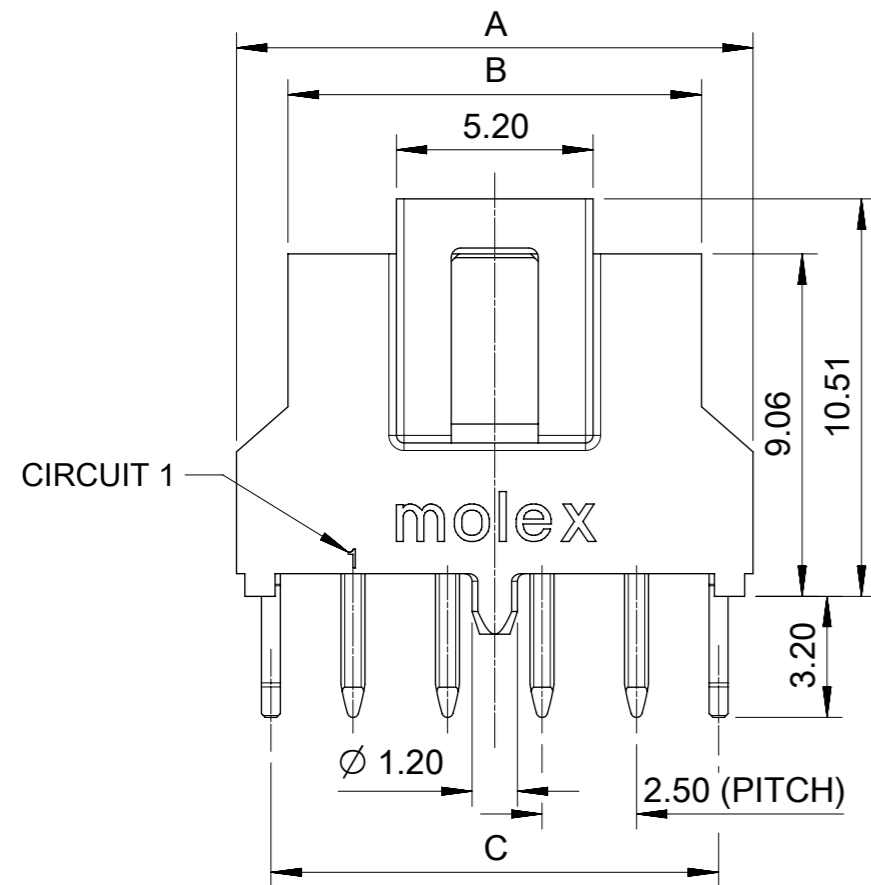
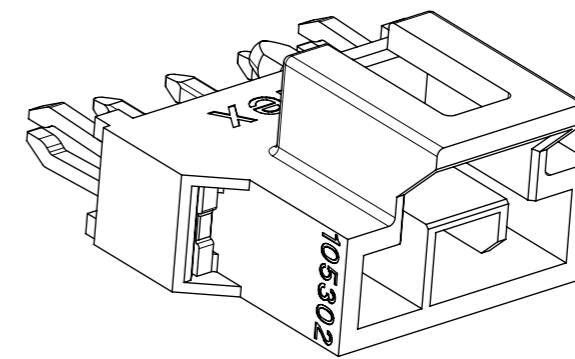
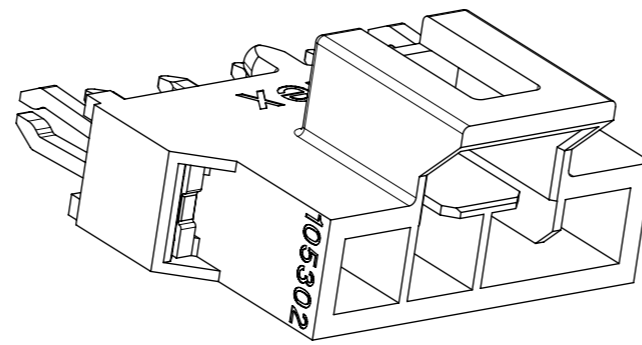
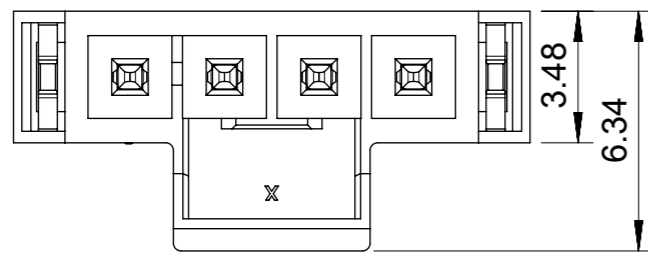
Contact us

Tel: +86-755-8981 8866 Fax: +86-755-8427 6832

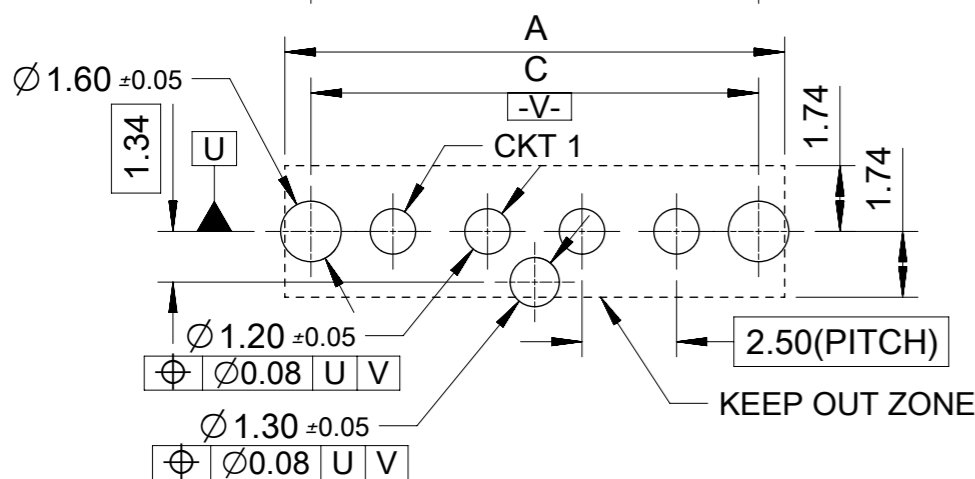
Email & Skype: info@chipsmall.com Web: www.chipsmall.com

Address: A1208, Overseas Decoration Building, #122 Zhenhua RD., Futian, Shenzhen, China





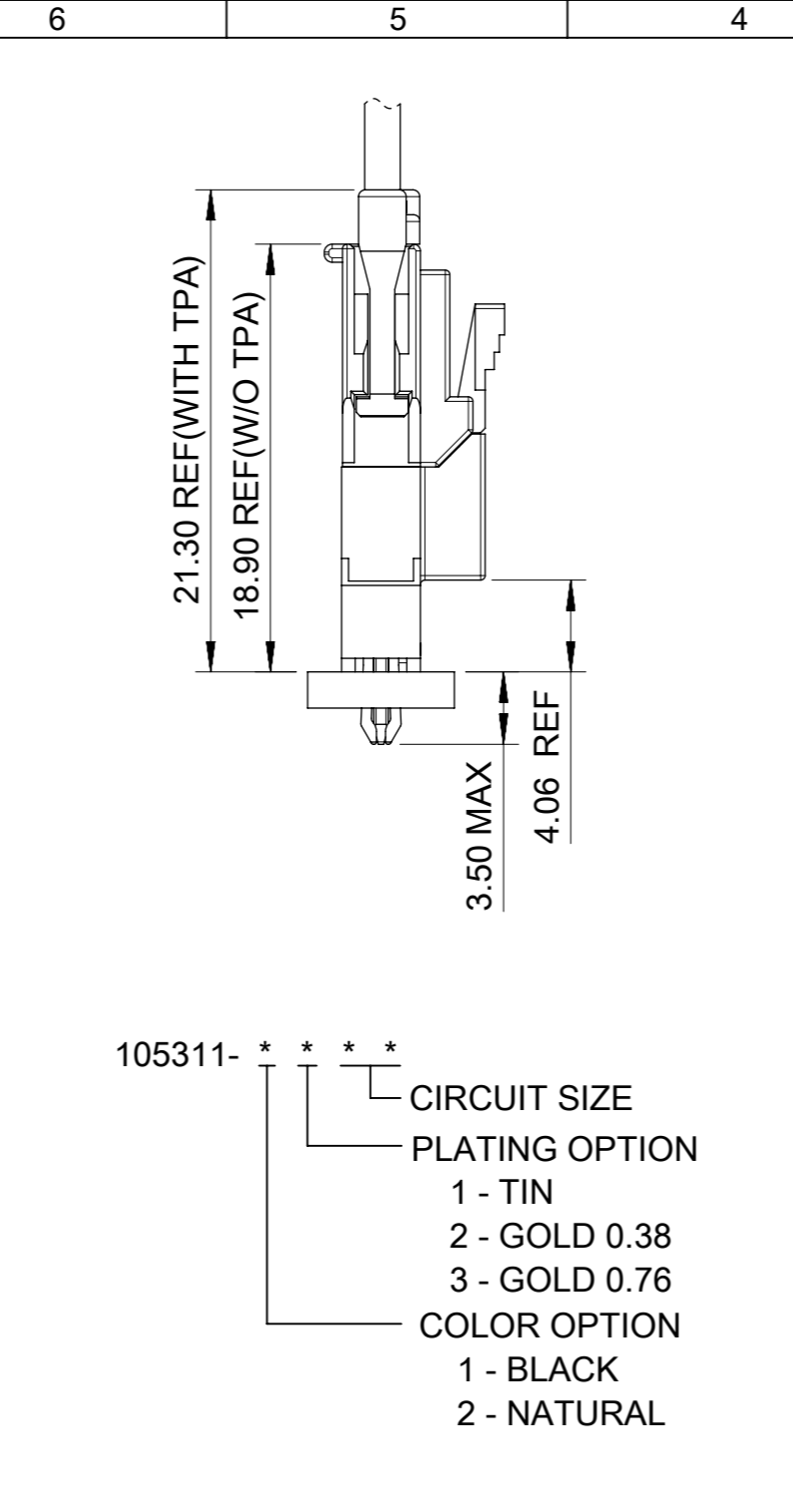
ONLY FOR CKT 3, 5, 7
OTHER DIMENSIONS REFER TO LEFT VIEWS.



RECOMMENDED PCB(CONNECTOR SIDE VIEW)
THICKNESS=1.6 TO 2.4 MM.

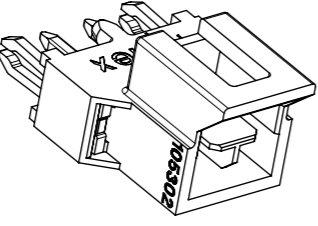
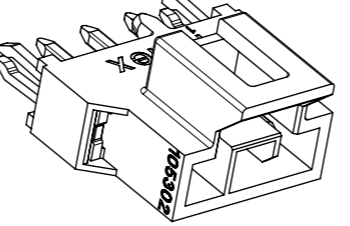
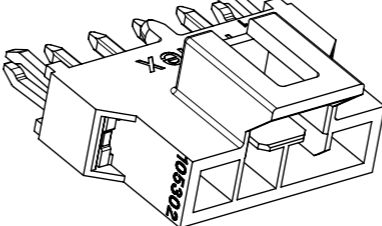
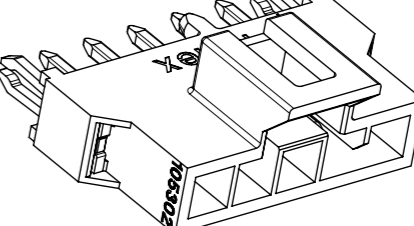
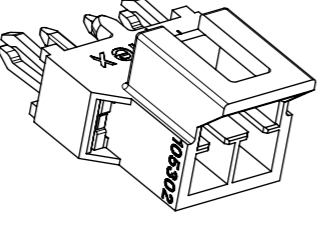
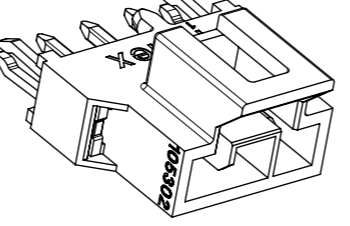
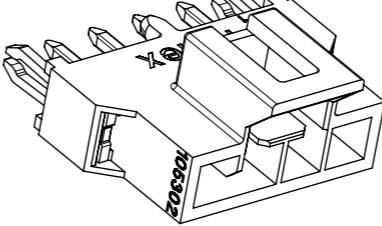
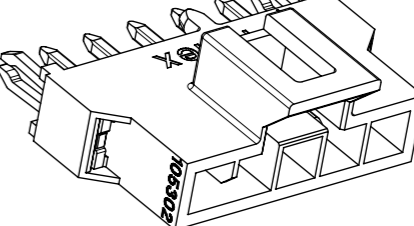
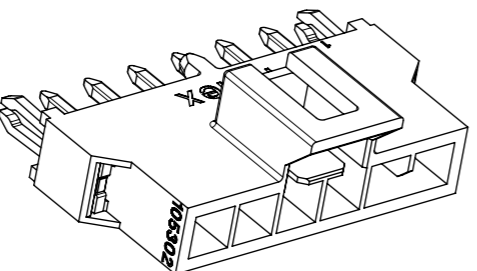
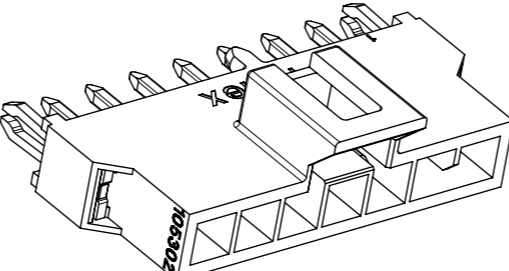
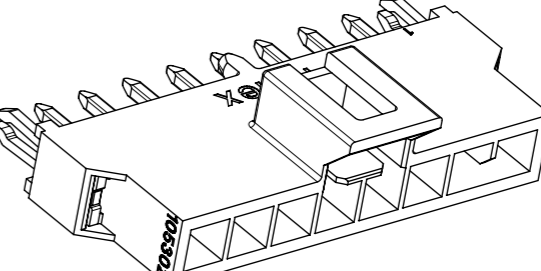
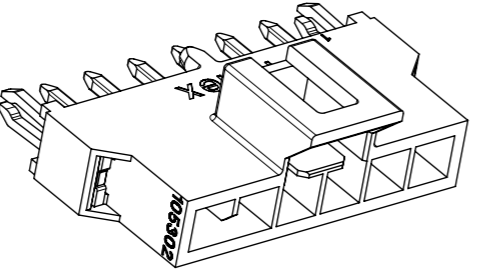
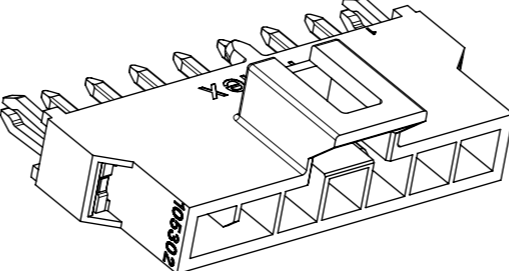
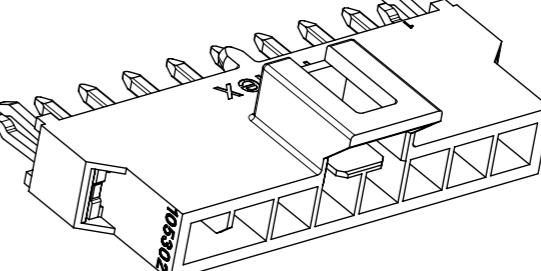
THIS DRAWING CONTAINS INFORMATION THAT IS PROPRIETARY TO MOLEX ELECTRONIC TECHNOLOGIES, LLC AND SHOULD NOT BE USED WITHOUT WRITTEN PERMISSION										
QUALITY SYMBOLS	EC NO: 174537 DRWN: GLLI CHK'D: AYIN APPR: AYIN	GENERAL TOLERANCES (UNLESS SPECIFIED)		DIMENSION UNITS	SCALE					
		ANGULAR TOL ± 3.0 °		mm	5:1					
▽A = 0	D REV	4 PLACES ±	DRAFT WHERE APPLICABLE MUST REMAIN WITHIN DIMENSIONS	DRWN BY	DATE	HEADER OF NANO-FIT, S/R, VERTICAL, CLIP POWER CONNECTOR				
▽E = 0		3 PLACES ± 0.1		GLLI	2014/07/16					
▽F = 0		2 PLACES ± 0.2		CHK'D BY	DATE	PRODUCT CUSTOMER DRAWING				
▼ = 0		1 PLACE ± 0.3		APPR BY	DATE					
▽C = 0		0 PLACES ±		AYIN	2015/04/08	SERIES	MATERIAL NUMBER	CUSTOMER		
⊗ = 0				DRAWING SIZE		THIRD ANGLE PROJECTION		105311	SEE SHEET 2	GENERAL MARKET
■ = 0		A3				DOCUMENT NUMBER		DOC TYPE	DOC PART	SHEET NUMBER
▽ = 0						SD-105311-100		PSD	000	1 OF 4








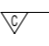

PART NUMBER	DIM 'A'	DIM 'B'	DIM 'C'	CKT SIZE	PLATING	LUBE
105311-1102	8.66	5.94	6.84	2	TIN C	
105311-1103	11.16	8.44	9.34	3		
105311-1104	13.66	10.94	11.84	4		
105311-1105	16.16	13.44	14.34	5		
105311-1106	18.66	15.94	16.84	6		
105311-1107	21.16	18.44	19.34	7		
105311-1108	23.66	20.94	21.84	8		
105311-1202	8.66	5.94	6.84	2		
105311-1203	11.16	8.44	9.34	3		
105311-1204	13.66	10.94	11.84	4		
105311-1205	16.16	13.44	14.34	5		
105311-1206	18.66	15.94	16.84	6		
105311-1207	21.16	18.44	19.34	7		
105311-1208	23.66	20.94	21.84	8		
105311-1302	8.66	5.94	6.84	2	GOLD 0.76	
105311-1303	11.16	8.44	9.34	3		
105311-1304	13.66	10.94	11.84	4		
105311-1305	16.16	13.44	14.34	5		
105311-1306	18.66	15.94	16.84	6		
105311-1307	21.16	18.44	19.34	7		
105311-1308	23.66	20.94	21.84	8		
105311-1402	8.66	5.94	6.84	2		
105311-1403	11.16	8.44	9.34	3		
105311-1404	13.66	10.94	11.84	4		
105311-1405	16.16	13.44	14.34	5		
105311-1406	18.66	15.94	16.84	6		
105311-1407	21.16	18.44	19.34	7		
105311-1408	23.66	20.94	21.84	8		
D COLOR: BLACK						



PART NUMBER	DIM 'A'	DIM 'B'	DIM 'C'	CKT SIZE	PLATING	LUBE
105311-2102	8.66	5.94	6.84	2	TIN C	
105311-2103	11.16	8.44	9.34	3		
105311-2104	13.66	10.94	11.84	4		
105311-2105	16.16	13.44	14.34	5		
105311-2106	18.66	15.94	16.84	6		
105311-2107	21.16	18.44	19.34	7		
105311-2108	23.66	20.94	21.84	8		
105311-2202	8.66	5.94	6.84	2		
105311-2203	11.16	8.44	9.34	3		
105311-2204	13.66	10.94	11.84	4		
105311-2205	16.16	13.44	14.34	5		
105311-2206	18.66	15.94	16.84	6		
105311-2207	21.16	18.44	19.34	7		
105311-2208	23.66	20.94	21.84	8		
105311-2302	8.66	5.94	6.84	2	GOLD 0.76	
105311-2303	11.16	8.44	9.34	3		
105311-2304	13.66	10.94	11.84	4		
105311-2305	16.16	13.44	14.34	5		
105311-2306	18.66	15.94	16.84	6		
105311-2307	21.16	18.44	19.34	7		
105311-2308	23.66	20.94	21.84	8		
105311-2402	8.66	5.94	6.84	2		
105311-2403	11.16	8.44	9.34	3		
105311-2404	13.66	10.94	11.84	4		
105311-2405	16.16	13.44	14.34	5		
105311-2406	18.66	15.94	16.84	6		
105311-2407	21.16	18.44	19.34	7		
105311-2408	23.66	20.94	21.84	8		
D COLOR: NATURAL						

THIS DRAWING CONTAINS INFORMATION THAT IS PROPRIETARY TO MOLEX ELECTRONIC TECHNOLOGIES, LLC AND SHOULD NOT BE USED WITHOUT WRITTEN PERMISSION											
QUALITY SYMBOLS FA = 0 FE = 0 FB = 0 FV = 0 FC = 0 FX = 0 F■ = 0 F▽ = 0	2018/03/29	2018/04/23	2018/04/23	GENERAL TOLERANCES (UNLESS SPECIFIED)		DIMENSION UNITS	SCALE	molex®			
	DRWN: GLLI	CHK'D: AYIN	APPR: AYIN	ANGULAR TOL ± 3.0 °		mm	3:1				
	EC NO: 174537	DRAFT WHERE APPLICABLE MUST REMAIN WITHIN DIMENSIONS		4 PLACES ±	3 PLACES ± 0.1	DRWN BY: GLLI DATE: 2014/07/16		PRODUCT CUSTOMER DRAWING			
	D			2 PLACES ± 0.2	1 PLACE ± 0.3	CHK'D BY: DATE:					
RELEASE STATUS: P1		RELEASE DATE: 2018/04/23	06:47:57			APPR BY: AYIN DATE: 2015/04/08	DRAWING SIZE: A3		THIRD ANGLE PROJECTION		

	2 CKT	3 CKT	4 CKT	5 CKT
BLACK				
NATURAL				
	6 CKT	7 CKT	8 CKT	
BLACK				
NATURAL				

THIS DRAWING CONTAINS INFORMATION THAT IS PROPRIETARY TO MOLEX ELECTRONIC TECHNOLOGIES, LLC AND SHOULD NOT BE USED WITHOUT WRITTEN PERMISSION											
QUALITY SYMBOLS  = 0  = 0  = 0  = 0  = 0  = 0  = 0  = 0		2018/03/29 2018/04/23 2018/04/23		GENERAL TOLERANCES (UNLESS SPECIFIED) ANGULAR TOL ± 3.0 ° 4 PLACES ± 3 PLACES ± 0.1 2 PLACES ± 0.2 1 PLACE ± 0.3 0 PLACES ±		DIMENSION UNITS: mm SCALE: 3:1		 HEADER OF NANO-FIT, S/R, VERTICAL, CLIP POWER CONNECTOR			
EC NO: 174537 DRWN: GLLI CHK'D: AYIN APPR: AYIN		DRWN BY: GLLI DATE: 2014/07/16		CHK'D BY: AYIN DATE: 2015/04/08		APPR BY: AYIN DATE: 2015/04/08					
DRAFT WHERE APPLICABLE MUST REMAIN WITHIN DIMENSIONS		DRAWING SIZE: A3		THIRD ANGLE PROJECTION		SERIES: 105311 MATERIAL NUMBER: SEE SHEET 2 CUSTOMER: GENERAL MARKET		DOCUMENT NUMBER: SD-105311-100 DOC TYPE: PSD DOC PART: 000 SHEET NUMBER: 3 OF 4			

NOTES FOR ALL PARTS

1> MATERIAL:
 HOUSING: LCP; TERMINAL: BRASS; SOLDER CLIP: BRASS.

2> PLATING FINISHED:
 TERMINAL:
 CONTACT AREA: a. TIN 1.5MICRONS MIN; b. GOLD 0.38 MICRONS MIN;
 c. GOLD 0.76 MICRONS MIN.
 SOLDER AREA: TIN 1.5 MICRONS MIN, UNDER PLATING NICKEL 1.25
 MICRONS MIN.
 SOLDER CLIP: TIN 2.5 MICRONS MIN, UNDER PLATING NICKEL 1.25 MICRONS MIN.

3> PRODUCT SPECIFICATION: PS-105300-100.

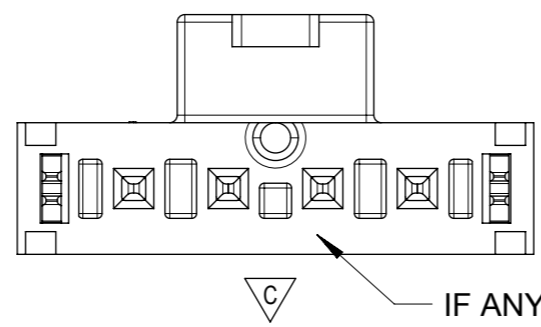
4> PACKAGE: TRAY, PK-105309-300.

5> ALL COMPONENTS AND PRODUCT COMPLIANT TO RoHS DIRECTIVE 2011/65/EU
 AND ELV DIRECTIVE 2000/53/EC.

6> PRODUCT MATE WITH SERIES OF 105308(RECEPTACLE), 105300(CRIMP TERMINAL).

7> PARTS CONFORM TO CLASS 'B'REQUIREMENTS OF COSMETIC SPECIFICATION
 PS-45499-002.

8> DISCOLORATION IN THE BANDOLIER PIN CARRIER AREA OF THE PIN IS INHERENT TO
 THE PLATING PROCESS AND IS DUE TO THE MASKING DEFECT OF THE CARRIER, THIS
 DISCOLORATION IS IN A NON-FUNCTION AREA OF THE PIN AND WILL NOT AFFECT
 THE PERFORMANCE OF THE HEADER ASSEMBLY.



IF ANY NUMBER MARK APPEARS ON THIS SURFACE,
 PLEASE DISREGARD IT, IT IS NO ANY FUCTION AND
 NO ANY RELATION TO PIN NUMBER, IT IS JUST FOR
 MOLDING IDENTIFICATION.

QUALITY SYMBOLS ▽A = 0 ▽E = 0 ▽F = 0 ▼ = 0 ▽C = 0 ⊠ = 0 ■ = 0 ▽ = 0	THIS DRAWING CONTAINS INFORMATION THAT IS PROPRIETARY TO MOLEX ELECTRONIC TECHNOLOGIES, LLC AND SHOULD NOT BE USED WITHOUT WRITTEN PERMISSION												
	EC NO: 174537 DRWN: GLLI CHK'D: AYIN REV APPR: AYIN	2018/03/29		2018/04/23		2018/04/23		GENERAL TOLERANCES (UNLESS SPECIFIED)		DIMENSION UNITS		SCALE	
		ANGULAR TOL ± 3.0 °		4 PLACES ±		3 PLACES ± 0.1		2 PLACES ± 0.2		1 PLACE ± 0.3		0 PLACES ±	
		DRAFT WHERE APPLICABLE MUST REMAIN WITHIN DIMENSIONS		mm		mm		DRWN BY		DATE		GLEX	
				mm		mm		CHK'D BY		DATE		2015/05/29	
				mm		mm		APPR BY		DATE		JALEXANDER 2016/04/27	
			A3		THIRD ANGLE PROJECTION		DRAWING SIZE		THIRD ANGLE PROJECTION		SERIES		
			A3		THIRD ANGLE PROJECTION		DRAWING SIZE		THIRD ANGLE PROJECTION		105311		
			A3		THIRD ANGLE PROJECTION		DRAWING SIZE		THIRD ANGLE PROJECTION		MATERIAL NUMBER		
			A3		THIRD ANGLE PROJECTION		DRAWING SIZE		THIRD ANGLE PROJECTION		SEE SHEET 2		
		A3		THIRD ANGLE PROJECTION		DRAWING SIZE		THIRD ANGLE PROJECTION		CUSTOMER			
		A3		THIRD ANGLE PROJECTION		DRAWING SIZE		THIRD ANGLE PROJECTION		GENERAL MARKET			
		A3		THIRD ANGLE PROJECTION		DRAWING SIZE		THIRD ANGLE PROJECTION		DOCUMENT NUMBER			
		A3		THIRD ANGLE PROJECTION		DRAWING SIZE		THIRD ANGLE PROJECTION		SD-105311-100			
		A3		THIRD ANGLE PROJECTION		DRAWING SIZE		THIRD ANGLE PROJECTION		DOC TYPE			
		A3		THIRD ANGLE PROJECTION		DRAWING SIZE		THIRD ANGLE PROJECTION		PSD			
		A3		THIRD ANGLE PROJECTION		DRAWING SIZE		THIRD ANGLE PROJECTION		DOC PART			
		A3		THIRD ANGLE PROJECTION		DRAWING SIZE		THIRD ANGLE PROJECTION		000			
		A3		THIRD ANGLE PROJECTION		DRAWING SIZE		THIRD ANGLE PROJECTION		SHEET NUMBER			
		A3		THIRD ANGLE PROJECTION		DRAWING SIZE		THIRD ANGLE PROJECTION		4 OF 4			