



Chipsmall Limited consists of a professional team with an average of over 10 year of expertise in the distribution of electronic components. Based in Hongkong, we have already established firm and mutual-benefit business relationships with customers from,Europe,America and south Asia,supplying obsolete and hard-to-find components to meet their specific needs.

With the principle of "Quality Parts,Customers Priority,Honest Operation,and Considerate Service",our business mainly focus on the distribution of electronic components. Line cards we deal with include Microchip,ALPS,ROHM,Xilinx,Pulse,ON,Everlight and Freescale. Main products comprise IC,Modules,Potentiometer,IC Socket,Relay,Connector.Our parts cover such applications as commercial,industrial, and automotives areas.

We are looking forward to setting up business relationship with you and hope to provide you with the best service and solution. Let us make a better world for our industry!



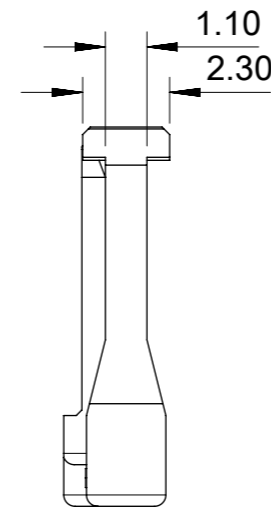
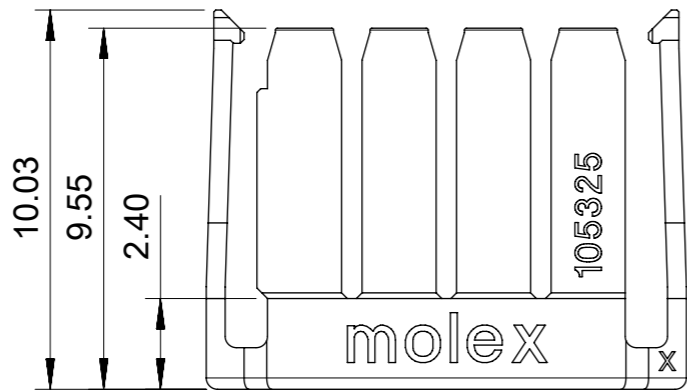
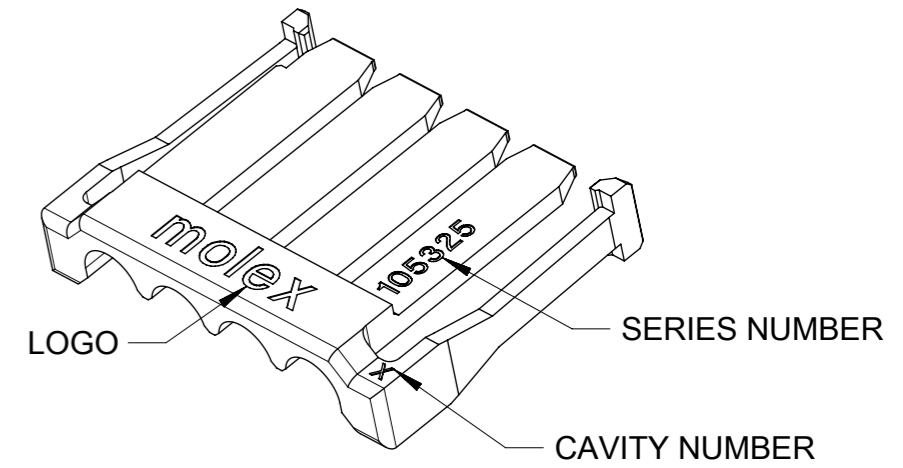
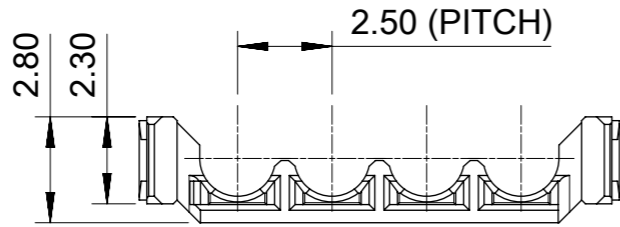
Contact us

Tel: +86-755-8981 8866 Fax: +86-755-8427 6832

Email & Skype: info@chipsmall.com Web: www.chipsmall.com

Address: A1208, Overseas Decoration Building, #122 Zhenhua RD., Futian, Shenzhen, China





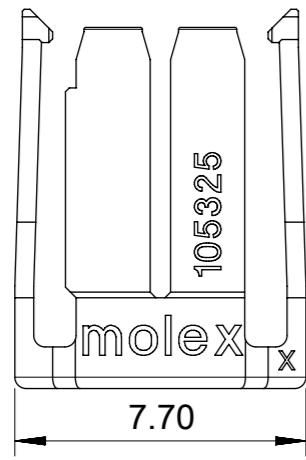
NOTES:

1. MATERIAL: PA4T, 30% GLASS FILLED, UL-94V-0.
2. PRODUCT SPECIFICATION: PS-105300-100.
3. PACKAGE SPECIFICATION: BAG, PK-105325-100.
4. THE COMPONENT COMPLIANT TO RoHS DIRECTIVE 2011/65/EU AND ELV DIRECTIVE 2000/53/EC.
5. PRODUCT MATES WITH SERIES OF 105307 AND 105308 (RECEPTACLE).
6. PARTS CONFORM TO CLASS 'B' REQUIREMENTS OF COSMETIC SPECIFICATION PS-45499-002.

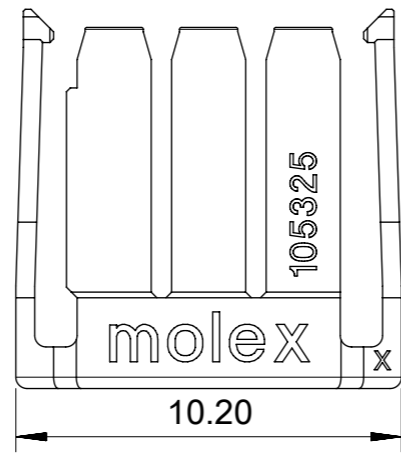
THIS DRAWING CONTAINS INFORMATION THAT IS PROPRIETARY TO MOLEX ELECTRONIC TECHNOLOGIES, LLC AND SHOULD NOT BE USED WITHOUT WRITTEN PERMISSION											
QUALITY SYMBOLS 	EC NO: 103921 DRWN: GLLI CHK'D: AYIN APPR: AYIN	2016/03/30 2016/04/26	GENERAL TOLERANCES (UNLESS SPECIFIED) ANGULAR TOL ± 3.0 °		DIMENSION UNITS	SCALE	 TPA OF NANO-FIT RECEPTACLE, POWER CONNECTOR				
			MM	5:1							
			4 PLACES ±		DRWN BY	DATE	PRODUCT CUSTOMER DRAWING				
			3 PLACES ± 0.1		GLLI	2014/12/12					
			2 PLACES ± 0.2		CHK'D BY	DATE	SERIES: 105325 MATERIAL NUMBER: SEE SHEET 2 CUSTOMER: GENERAL MARKET				
			1 PLACE ± 0.3		AYIN	2015/08/24					
			0 PLACES ±		APPR BY	DATE	DOCUMENT NUMBER: SD-105325-100 DOC TYPE: PSD DOC PART: 000 SHEET NUMBER: 1 OF 2				
					AYIN	2015/08/24					
			DRAFT WHERE APPLICABLE MUST REMAIN WITHIN DIMENSIONS		DRAWING SIZE	THIRD ANGLE PROJECTION					
					A3						

RELEASE STATUS	RELEASE DATE	07:07:27
----------------	--------------	----------

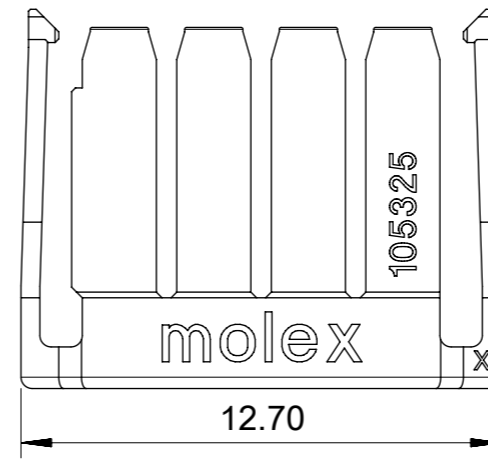
9 8 7 6 5 4 3 2 1



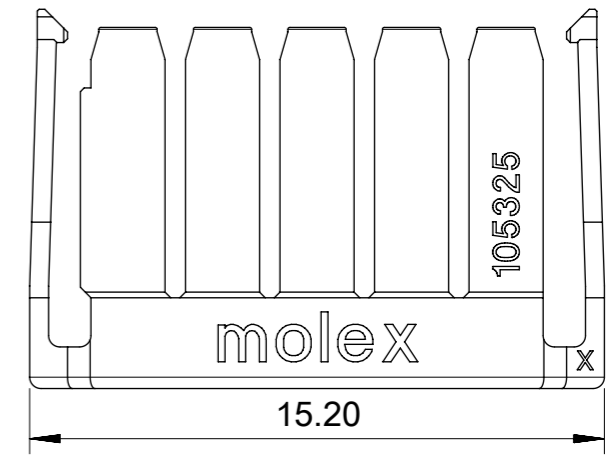
BLACK: 105325-1002
NATURAL: 105325-2002



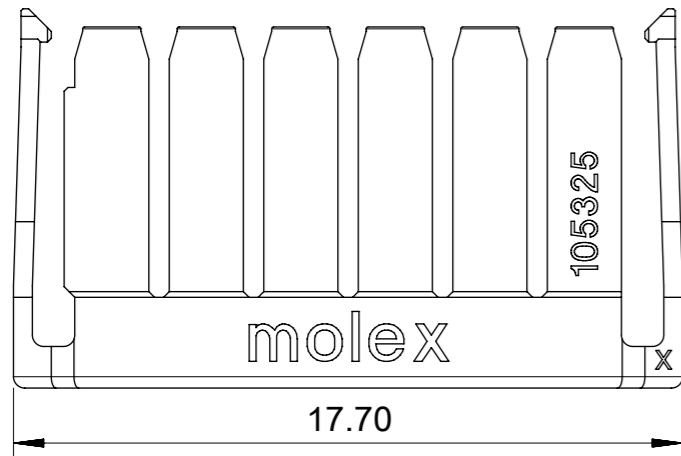
BLACK: 105325-1003
NATURAL: 105325-2003



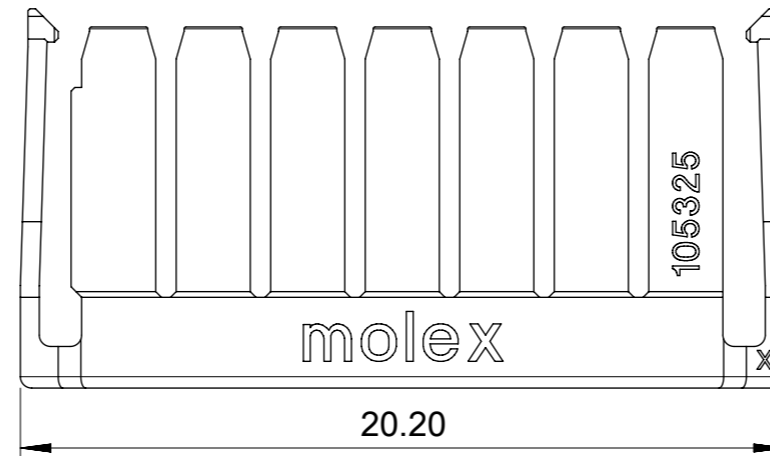
BLACK: 105325-1004
NATURAL: 105325-2004



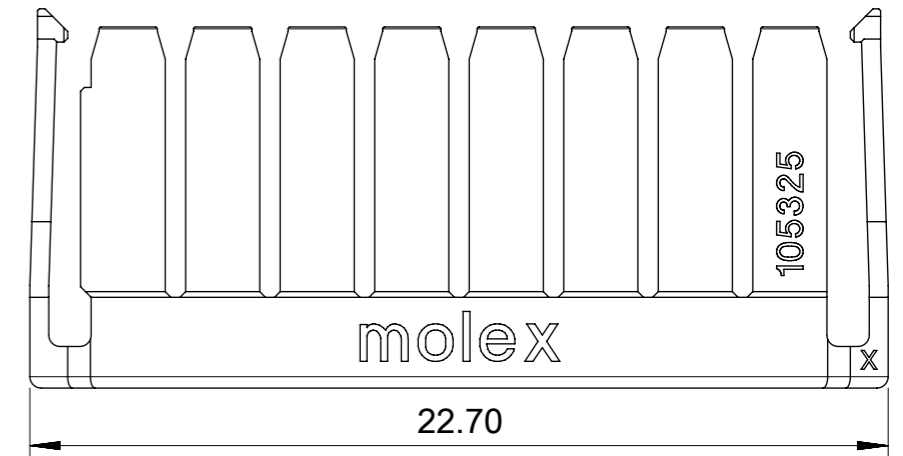
BLACK: 105325-1005
NATURAL: 105325-2005



BLACK: 105325-1006
NATURAL: 105325-2006



BLACK: 105325-1007
NATURAL: 105325-2007



BLACK: 105325-1008
NATURAL: 105325-2008

QUALITY SYMBOLS 	THIS DRAWING CONTAINS INFORMATION THAT IS PROPRIETARY TO MOLEX ELECTRONIC TECHNOLOGIES, LLC AND SHOULD NOT BE USED WITHOUT WRITTEN PERMISSION										
	EC NO: 103921 DRWN: GLLI CHK'D: AYIN REV: B APPR: AYIN	GENERAL TOLERANCES (UNLESS SPECIFIED) ANGULAR TOL ± 3.0 °		DIMENSION UNITS: MM SCALE: 5:1		 TPA OF NANO-FIT RECEPTACLE, POWER CONNECTOR					
		4 PLACES ± 3 PLACES ± 0.1 2 PLACES ± 0.2 1 PLACE ± 0.3 0 PLACES ±		DRWN BY: GLLI DATE: 2014/12/12							
	DRAFT WHERE APPLICABLE MUST REMAIN WITHIN DIMENSIONS		APPR BY: AYIN DATE: 2015/08/24		PRODUCT CUSTOMER DRAWING						
			DRAWING SIZE: A3 THIRD ANGLE PROJECTION		SERIES: 105325 MATERIAL NUMBER: SEE REMARK CUSTOMER: GENERAL MARKET						
					DOCUMENT NUMBER: SD-105325-100 DOC TYPE: PSD DOC PART: 000 SHEET NUMBER: 2 OF 2						

9 8 7 6 5 4 3 2 1