



Chipsmall Limited consists of a professional team with an average of over 10 year of expertise in the distribution of electronic components. Based in Hongkong, we have already established firm and mutual-benefit business relationships with customers from,Europe,America and south Asia,supplying obsolete and hard-to-find components to meet their specific needs.

With the principle of "Quality Parts,Customers Priority,Honest Operation,and Considerate Service",our business mainly focus on the distribution of electronic components. Line cards we deal with include Microchip,ALPS,ROHM,Xilinx,Pulse,ON,Everlight and Freescale. Main products comprise IC,Modules,Potentiometer,IC Socket,Relay,Connector.Our parts cover such applications as commercial,industrial, and automotives areas.

We are looking forward to setting up business relationship with you and hope to provide you with the best service and solution. Let us make a better world for our industry!



Contact us

Tel: +86-755-8981 8866 Fax: +86-755-8427 6832

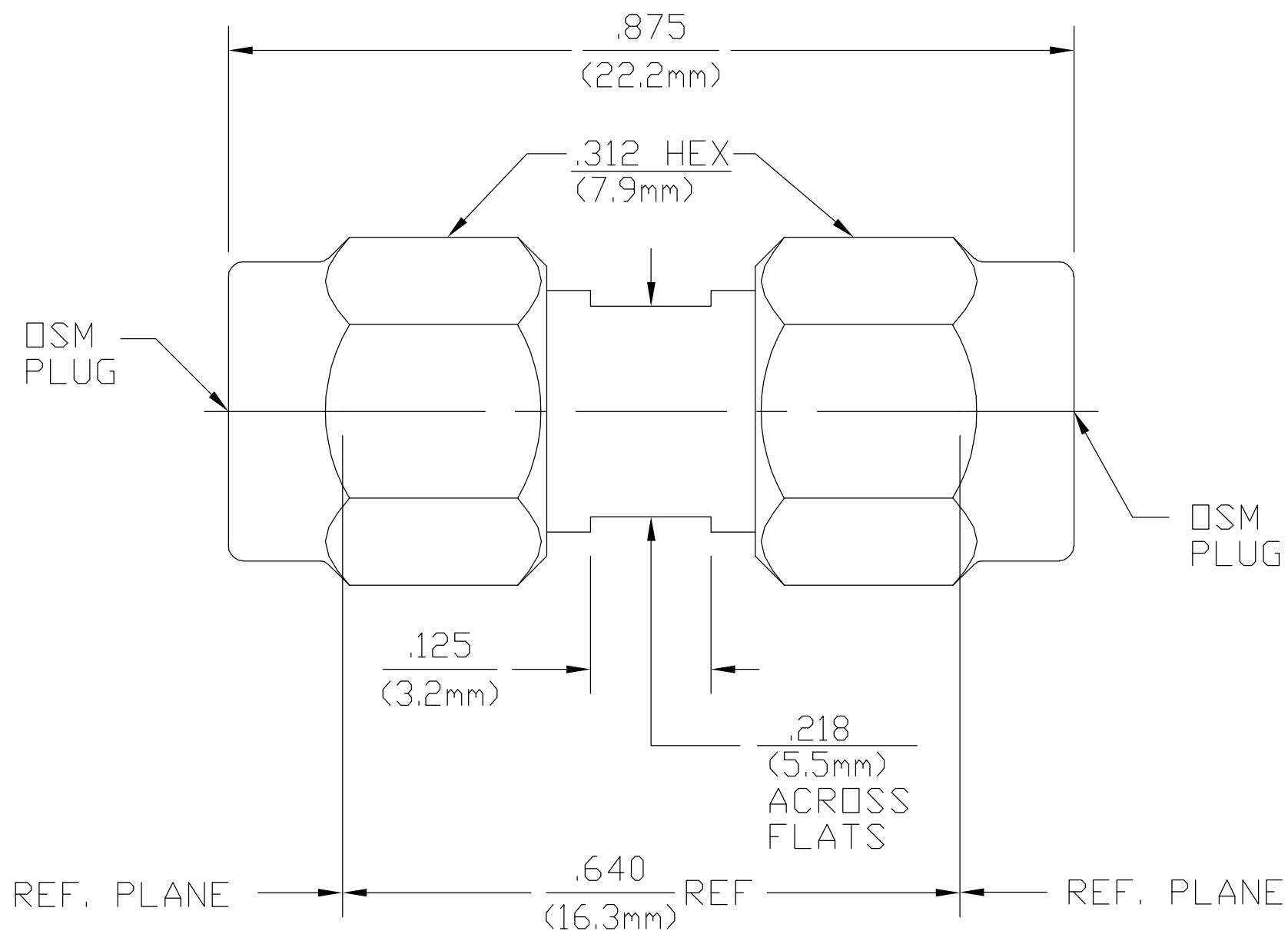
Email & Skype: info@chipsmall.com Web: www.chipsmall.com

Address: A1208, Overseas Decoration Building, #122 Zhenhua RD., Futian, Shenzhen, China



THIS DRAWING IS UNPUBLISHED. RELEASED FOR PUBLICATION
 © COPYRIGHT BY TYCO ELECTRONICS CORPORATION. ALL RIGHTS RESERVED.

LOC	DIST	REVISIONS					
AJ	00	P	LTR	DESCRIPTION	DATE	DWN	APVD
		B		REV PER ECO 07-004710	3/2/2007	DW	KW



ELECTRICAL	MECHANICAL	ENVIRONMENTAL
Nominal Impedance (Ohms) <u>50</u>	Interface Dimensions MIL-STD-348A	TEMPERATURE RATING <u>-65°C TO 165°C</u>
Frequency Range (GHz) <u>DC to 18.0</u>	FIG 310.1	Vibration - MIL-STD-202, Method 204, Condition D
Volt Rating (VRMS MAX) <u>335</u>	Recommended Mating	Shock - MIL-STD-202, Method 213, Condition I
VSWR <u>1.05 + .005f(GHz) MAX</u>	Torque <u>7.0 to 10.0 In/Lbs</u>	Thermal shock MIL-STD-202, Method 107 Test Condition C
Insertion Loss (dB MAX) <u>.06 √f(GHz)</u>	Connector Engagement	Moisture Resistance - MIL-STD-202, Method 106, except Step 7b
RF Leakage <u>-[90-f(GHz)]</u>	<u>2.0 In/Lbs MAX</u>	(Vibration) shall be omitted
Corona, 70,000 Ft (VRMS MIN) <u>250</u>	Center Contact Captivation	Corrosion - MIL-STD-202, Method 101, Condition B, 5% salt spray
Dielectric Withstanding Voltage (VRMS MIN) <u>1500</u>	Axial <u>10 Lbs MIN</u>	
Contact Resistance (Milliohms MAX)	Radial <u>N/A</u>	
Center Contact <u>4.0</u>	Weight (Grams) <u>TBD</u>	
Outer Contact <u>2.0</u>		
RF High Potential (VRMS MIN @ 5 MHz) <u>670</u>		
I.R.(Megohms) <u>10,000</u>		

HOUSING COUPLING NUT	STAINLESS STEEL PER ASTM-A484 AND ASTM-A582, TYPE 303	PASSIVATE PER QQ-P-35
DIELECTRIC	PTFE FLUOROCARBON PER ASTM-D-1457	N/A
CENTER CONTACT	BERYLLIUM COPPER PER ASTM B 196, ALLOY C17300, CONDITION H OR BRASS PER ASTM-B-16	GOLD PLATE PER MIL-G-45204
RETAINING RING	BERYLLIUM COPPER PER ASTM B 194, ALLOY C17200, CONDITION H	N/A
GASKET	SILICONE RUBBER PER ZZ-R-765	N/A
COMPONENT	MATERIAL	FINISH

THIS DRAWING IS A CONTROLLED DOCUMENT.

DWN	B.M.EDWARDS	8/31/90
CHK	K.MAHER	9/4/90
APVD	S.TM	9/5/90

tyco Electronics Tyco Electronics Corporation
Harrisburg, PA 17105-3608

NAME: OSM PLUG TO PLUG ADAPTER

SIZE	CAGE CODE	DRAWING NO	RESTRICTED TO
A2	00779	C=1053640	-

CUSTOMER DRAWING SCALE 5:1 SHEET 1 of 1 REV B