



Chipsmall Limited consists of a professional team with an average of over 10 year of expertise in the distribution of electronic components. Based in Hongkong, we have already established firm and mutual-benefit business relationships with customers from,Europe,America and south Asia,supplying obsolete and hard-to-find components to meet their specific needs.

With the principle of “Quality Parts,Customers Priority,Honest Operation,and Considerate Service”,our business mainly focus on the distribution of electronic components. Line cards we deal with include Microchip,ALPS,ROHM,Xilinx,Pulse,ON,Everlight and Freescale. Main products comprise IC,Modules,Potentiometer,IC Socket,Relay,Connector.Our parts cover such applications as commercial,industrial, and automotives areas.

We are looking forward to setting up business relationship with you and hope to provide you with the best service and solution. Let us make a better world for our industry!



Contact us

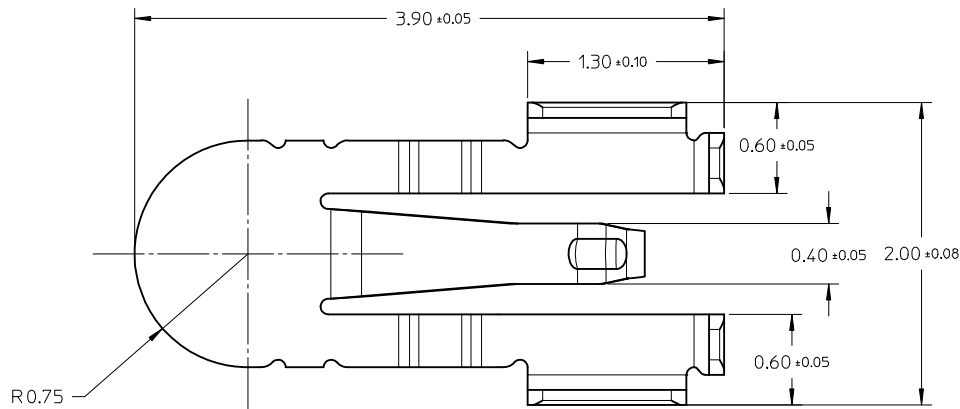
Tel: +86-755-8981 8866 Fax: +86-755-8427 6832

Email & Skype: info@chipsmall.com Web: www.chipsmall.com

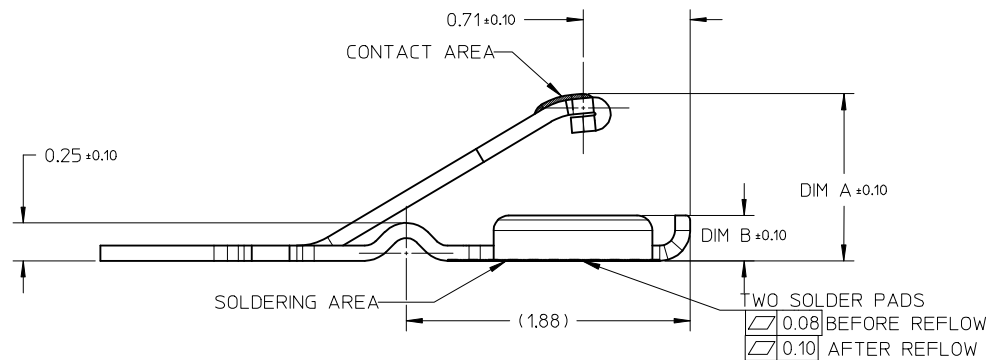
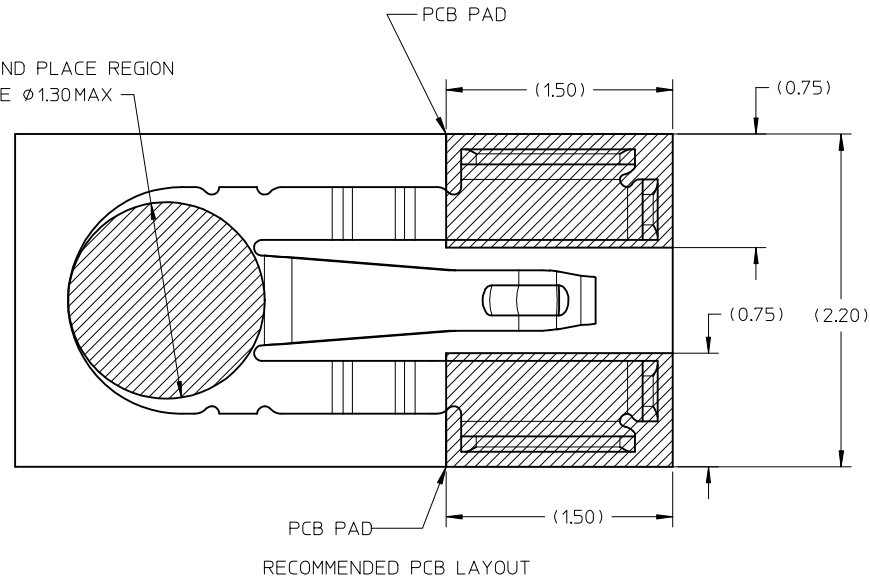
Address: A1208, Overseas Decoration Building, #122 Zhenhua RD., Futian, Shenzhen, China



10 9 8 7 6 5 4 3 2 1



PICK AND PLACE REGION
NOZZLE ϕ 1.30 MAX



P/N:	DIM A (FREE HEIGHT)	DIM B	WORKING RANGE
105384-0001	1.10	0.30	0.40~0.80
105384-0002	1.40	0.60	0.70~1.10

NOTES:
 1. MATERIAL: STAINLESS STEEL
 2. FINISH:
 NI UNDER PLATING OVERALL: 24 μ m MINIMUM
 SOLDERING AREA: GOLD FLASH
 CONTACT AREA: 0.50 μ m Au MINIMUM
 3. PRODUCT COMPLIANT TO ROHS DIRECTIVE 2011/65/EU
 AND ELV DIRECTIVE 2003/53/EC.

RELEASE EC NO: SH2016-0120 DRWNR: RL109 CHKD: APPR: RZHANG 2015/08/25 2015/12/03	QUALITY SYMBOLS	GENERAL TOLERANCES (UNLESS SPECIFIED)	DIMENSION STYLE	SCALE	DESIGN UNITS	THIRD ANGLE PROJECTION																		
	$\nabla_A = 0$ $\nabla_C = 0$ $\nabla_B = 0$	<table border="1"> <tr> <th></th> <th>mm</th> <th>INCH</th> </tr> <tr> <td>4 PLACES</td> <td>\pm ---</td> <td>\pm ---</td> </tr> <tr> <td>3 PLACES</td> <td>\pm ---</td> <td>\pm ---</td> </tr> <tr> <td>2 PLACES</td> <td>\pm 0.15</td> <td>\pm ---</td> </tr> <tr> <td>1 PLACE</td> <td>\pm 0.20</td> <td>\pm ---</td> </tr> <tr> <td>0 PLACE</td> <td>\pm ---</td> <td>\pm ---</td> </tr> </table>		mm	INCH	4 PLACES	\pm ---	\pm ---	3 PLACES	\pm ---	\pm ---	2 PLACES	\pm 0.15	\pm ---	1 PLACE	\pm 0.20	\pm ---	0 PLACE	\pm ---	\pm ---	MM ONLY	30:1	METRIC	
		mm	INCH																					
	4 PLACES	\pm ---	\pm ---																					
3 PLACES	\pm ---	\pm ---																						
2 PLACES	\pm 0.15	\pm ---																						
1 PLACE	\pm 0.20	\pm ---																						
0 PLACE	\pm ---	\pm ---																						
DRAWN BY: RL109 DATE: 2014/03/20 CHECKED BY: DATE: APPROVED BY: RZHANG DATE: 2015/03/16	ANGULAR \pm 3° DRAFT WHERE APPLICABLE MUST REMAIN WITHIN DIMENSIONS	DRAWN BY: RL109 DATE: 2014/03/20 CHECKED BY: DATE: APPROVED BY: RZHANG DATE: 2015/03/16	TITLE: SPRING CLIP																					
MATERIAL NO.: SEE TABLE	SIZE: A3 THIS DRAWING CONTAINS INFORMATION THAT IS PROPRIETARY TO MOLEX INCORPORATED AND SHOULD NOT BE USED WITHOUT WRITTEN PERMISSION	DOCUMENT NO.: SD-105384-001	SHEET NO.: 1 OF 5																					

9 8 7 6 5 4 3 2 1

10 9 8 7 6 5 4 3 2 1

F

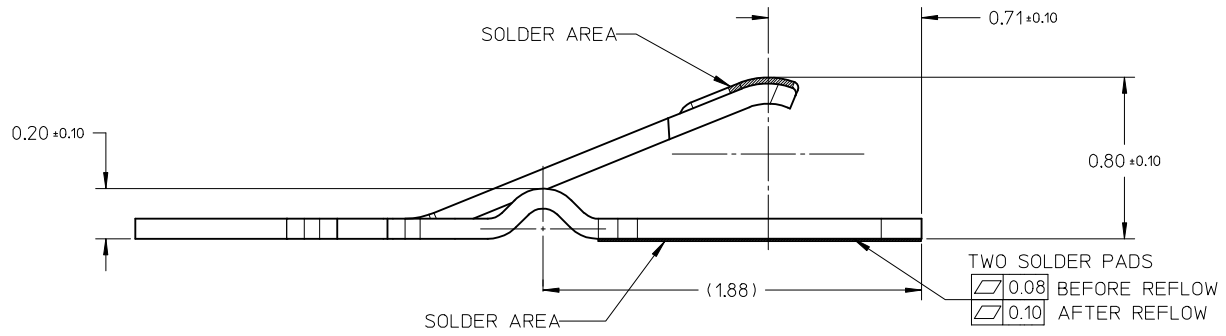
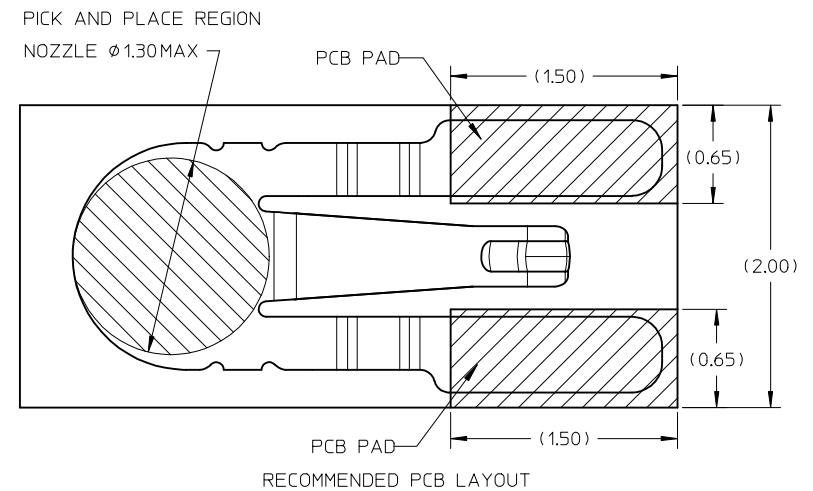
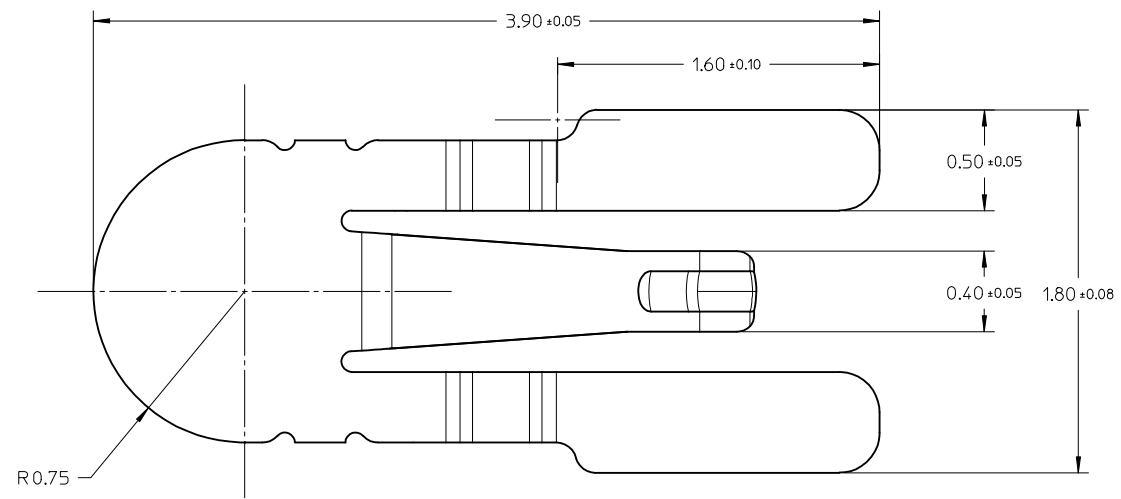
E

D

C

B

A



PART NUMBER	WORKING RANGE
105384-0003	0.30 ~ 0.55

NOTES:
 1. MATERIAL: STAINLESS STEEL
 2. FINISH:
 NI UNDER PLATING OVERALL: 24μm MINIMUM
 SOLDERING AREA: GOLD FLASH
 CONTACT AREA: 0.50μm Au MINIMUM
 3. PRODUCT COMPLIANT TO ROHS DIRECTIVE 2011/65/EU
 AND ELV DIRECTIVE 2003/53/EC.

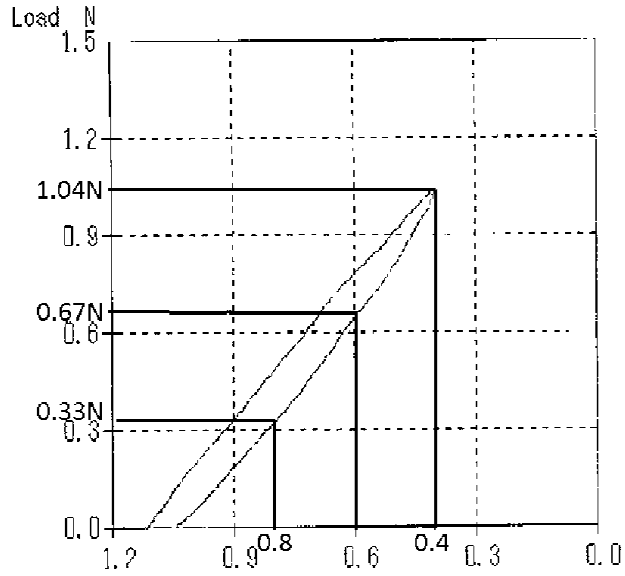
RELEASE
 EC NO: SH2016-0120
 DRW: RL109
 CHKD:
 APPR: RZHANG
 2015/08/25
 2015/12/03

QUALITY SYMBOLS	$F_A=0$	GENERAL TOLERANCES (UNLESS SPECIFIED)	DIMENSION STYLE		SCALE	DESIGN UNITS	THIRD ANGLE PROJECTION
	$F_G=0$		mm	INCH			
$F_P=0$		4 PLACES	± ---	± ---	DRAWN BY	DATE	TITLE
		3 PLACES	± ---	± ---	RL109	2014/03/20	SPRING CLIP
		2 PLACES	± 0.15	± ---	CHECKED BY	DATE	
		1 PLACE	± 0.20	± ---	APPROVED BY	DATE	
		0 PLACE	± ---	± ---	RZHANG	2015/03/16	
		ANGULAR ± 3 °		MATERIAL NO.		DOCUMENT NO.	SHEET NO.
		DRAFT WHERE APPLICABLE MUST REMAIN WITHIN DIMENSIONS		SEE TABLE		SD-105384-001	2 OF 5

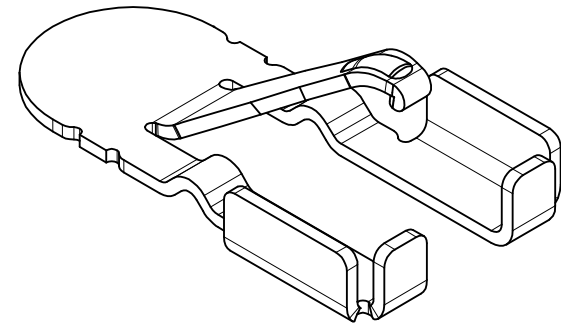
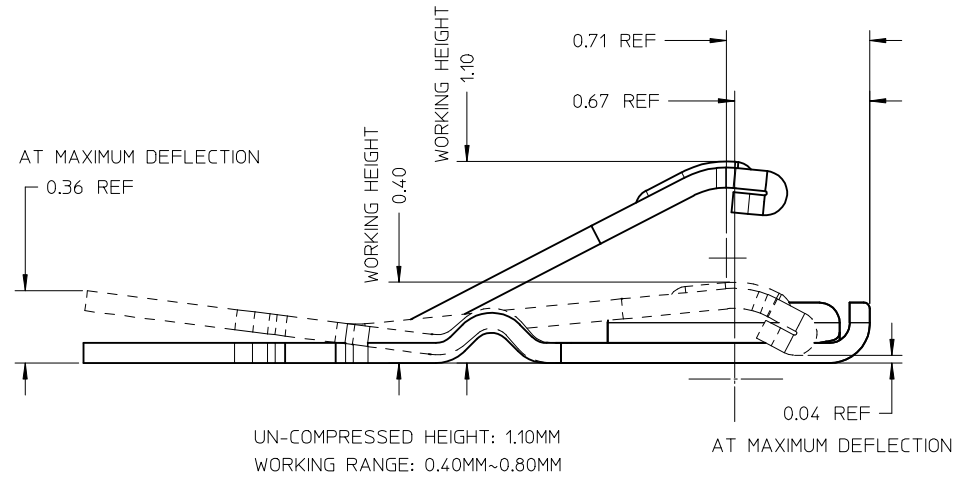
SIZE	THIS DRAWING CONTAINS INFORMATION THAT IS PROPRIETARY TO MOLEX INCORPORATED AND SHOULD NOT BE USED WITHOUT WRITTEN PERMISSION						
A3							

9 8 7 6 5 4 3 2 1

NORMAL FORCE CURVE



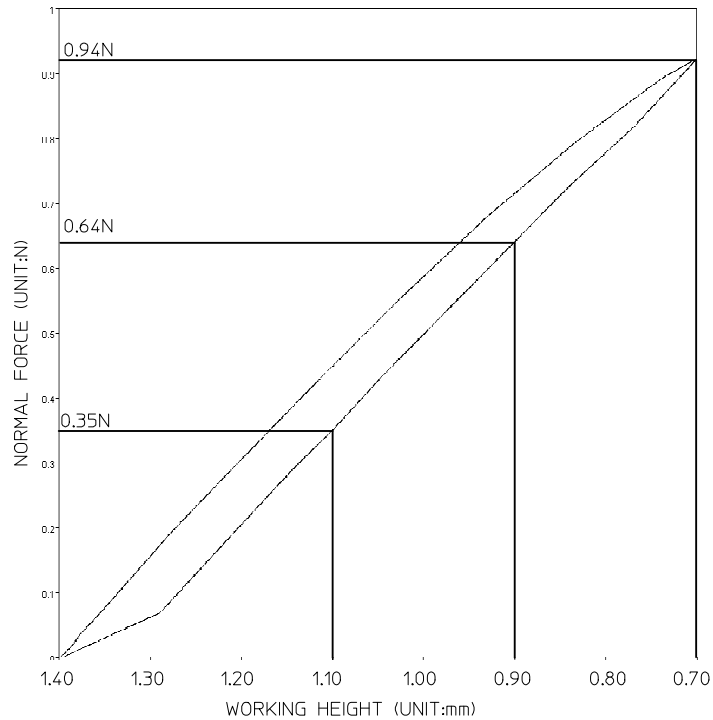
NORMAL FORCE: 0.33N AT 0.80 MM WORKING HEIGHT (MINIMUM DEFLECTION)
 NORMAL FORCE: 0.67N AT 0.60 MM WORKING HEIGHT (NORMAL DEFLECTION)
 NORMAL FORCE: 1.04N AT 0.40 MM WORKING HEIGHT (MAXIMUM DEFLECTION)
 (NORMAL FORCE IS ONLY FOR REFERENCE)



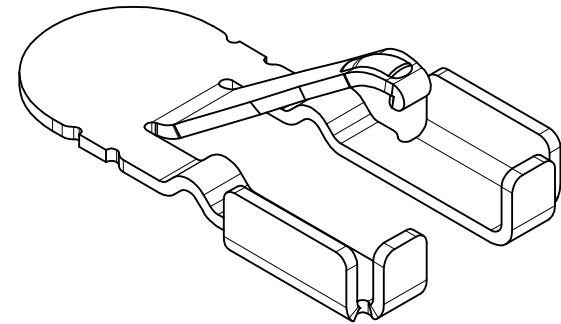
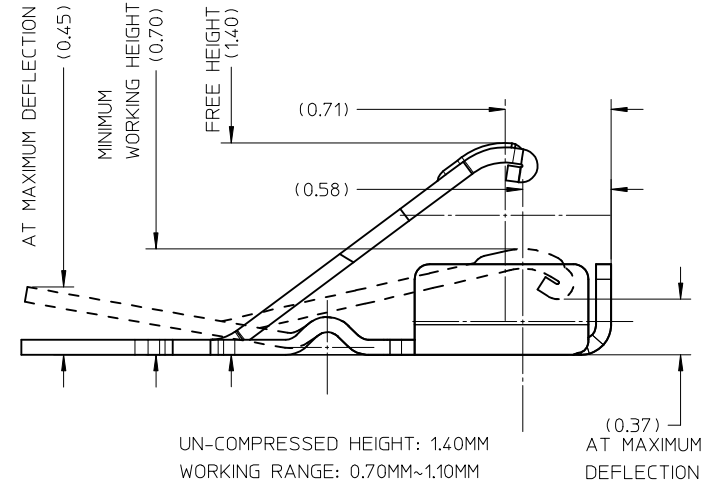
1053840001

RELEASE EC NO: SH2016-0120 DRWNR: RL109 CHKD: APPR: RZHANG 2015/08/25 2015/12/03	QUALITY SYMBOLS	GENERAL TOLERANCES (UNLESS SPECIFIED)		DIMENSION STYLE	SCALE	DESIGN UNITS	THIRD ANGLE PROJECTION
	$F_A=0$ $F_G=0$ $F_P=0$	mm INCH 4 PLACES ± --- ± --- 3 PLACES ± --- ± --- 2 PLACES ± 0.15 ± --- 1 PLACE ± 0.20 ± --- 0 PLACE ± --- ± ---	MM ONLY	4:1	METRIC	TITLE	
		ANGULAR ± 3 °	DRAWN BY	DATE	TITLE		
		DRAFT WHERE APPLICABLE MUST REMAIN WITHIN DIMENSIONS	RL109	2014/03/20	SPRING CLIP		
		CHECKED BY	DATE	APPROVED BY	DATE		
				RZHANG	2015/03/16	DOCUMENT NO.	SHEET NO.
				SEE TABLE		SD-105384-001	3 OF 5
				SIZE	THIS DRAWING CONTAINS INFORMATION THAT IS PROPRIETARY TO MOLEX INCORPORATED AND SHOULD NOT BE USED WITHOUT WRITTEN PERMISSION		
				A3			

NORMAL FORCE CURVE



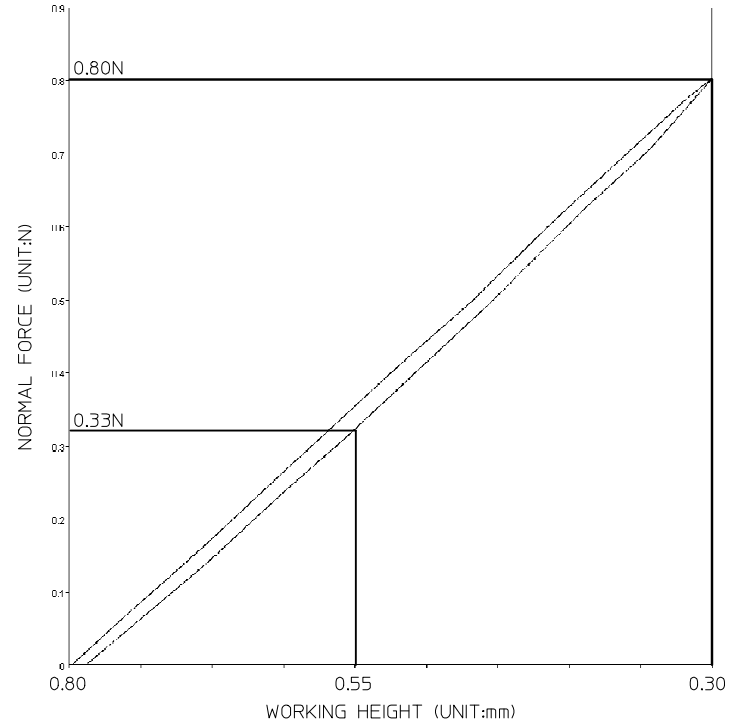
NORMAL FORCE: 0.35N AT 1.10 MM WORKING HEIGHT (MINIMUM DEFLECTION)
 NORMAL FORCE: 0.64N AT 0.90 MM WORKING HEIGHT (NORMAL DEFLECTION)
 NORMAL FORCE: 0.94N AT 0.70 MM WORKING HEIGHT (MAXIMUM DEFLECTION)



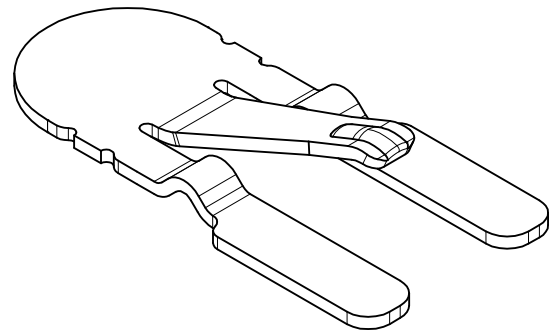
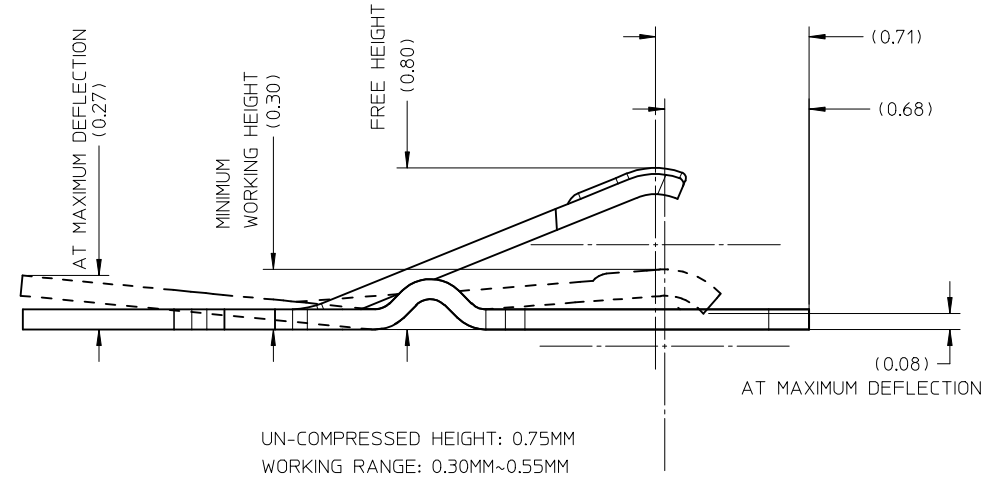
1053840002

RELEASE EC NO: SH2016-0120 DRWNR: RL109 CHKD: APPR: RZHANG 2015/08/25 2015/12/03	DESCRIPTION REV	QUALITY SYMBOLS	GENERAL TOLERANCES (UNLESS SPECIFIED)	DIMENSION STYLE	SCALE	DESIGN UNITS	THIRD ANGLE PROJECTION	
		$F_A=0$ $F_G=0$ $F_P=0$	mm INCH 4 PLACES ± --- ± --- 3 PLACES ± --- ± --- 2 PLACES ± 0.15 ± --- 1 PLACE ± 0.20 ± --- 0 PLACE ± --- ± ---	MM ONLY	30:1	METRIC	DRAWN BY: RL109 DATE: 2014/03/20 CHECKED BY: DATE:	TITLE
		ANGULAR ± 3 ° DRAFT WHERE APPLICABLE MUST REMAIN WITHIN DIMENSIONS	SEE TABLE	APPROVED BY: RZHANG DATE: 2015/03/16	molex SD-105384-001		SPRING CLIP SHEET NO. 4 OF 5	
				MATERIAL NO.	DOCUMENT NO.		THIS DRAWING CONTAINS INFORMATION THAT IS PROPRIETARY TO MOLEX INCORPORATED AND SHOULD NOT BE USED WITHOUT WRITTEN PERMISSION	

NORMAL FORCE CURVE



NORMAL FORCE: 0.33N AT 0.55 MM WORKING HEIGHT (MINIMUM DEFLECTION)
 NORMAL FORCE: 0.80N AT 0.30 MM WORKING HEIGHT (MAXIMUM DEFLECTION)
 (NORMAL FORCE IS ONLY FOR REFERENCE)



1053840003

RELEASE EC NO: SHZ016-0120 DRW:RL109 2015/08/25 CHKD: APPR:RZHANG 2015/12/03	DESCRIPTION REV	QUALITY SYMBOLS	GENERAL TOLERANCES (UNLESS SPECIFIED)	DIMENSION STYLE	SCALE	DESIGN UNITS	THIRD ANGLE PROJECTION
		$F_A=0$ $F_G=0$ $F_P=0$	(UNLESS SPECIFIED) mm INCH	MM ONLY	50:1	METRIC	
		4 PLACES ± --- ± --- 3 PLACES ± --- ± --- 2 PLACES ± 0.15 ± --- 1 PLACE ± 0.20 ± --- 0 PLACE ± --- ± ---	DRAWN BY: RL109 DATE: 2014/03/20 CHECKED BY: DATE:	TITLE	SPRING CLIP		
		ANGULAR ± 3 ° DRAFT WHERE APPLICABLE MUST REMAIN WITHIN DIMENSIONS	APPROVED BY: RZHANG DATE: 2015/03/16 MATERIAL NO.: SEE TABLE	DOCUMENT NO.: SD-105384-001 SHEET NO.: 5 OF 5	molex		