



Chipsmall Limited consists of a professional team with an average of over 10 year of expertise in the distribution of electronic components. Based in Hongkong, we have already established firm and mutual-benefit business relationships with customers from,Europe,America and south Asia,supplying obsolete and hard-to-find components to meet their specific needs.

With the principle of “Quality Parts,Customers Priority,Honest Operation,and Considerate Service”,our business mainly focus on the distribution of electronic components. Line cards we deal with include Microchip,ALPS,ROHM,Xilinx,Pulse,ON,Everlight and Freescale. Main products comprise IC,Modules,Potentiometer,IC Socket,Relay,Connector.Our parts cover such applications as commercial,industrial, and automotives areas.

We are looking forward to setting up business relationship with you and hope to provide you with the best service and solution. Let us make a better world for our industry!



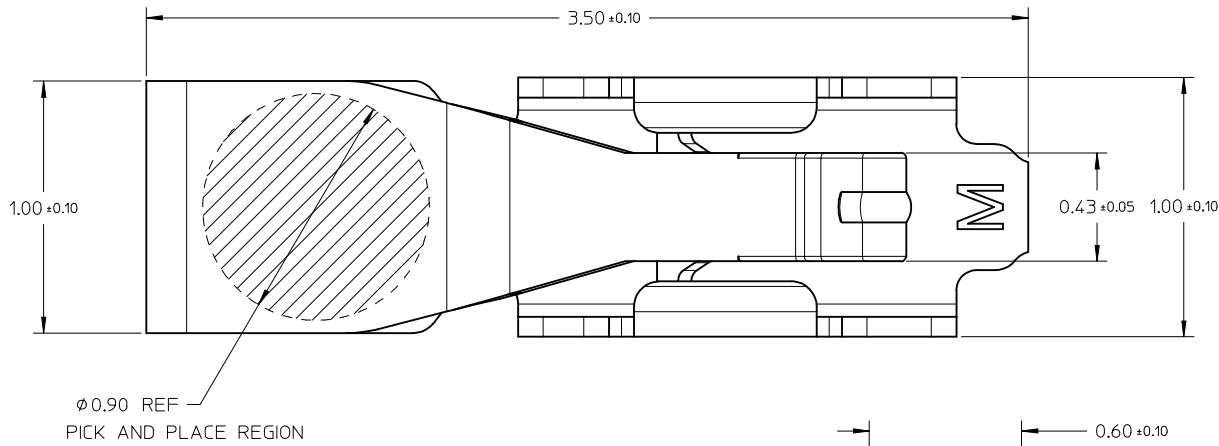
Contact us

Tel: +86-755-8981 8866 Fax: +86-755-8427 6832

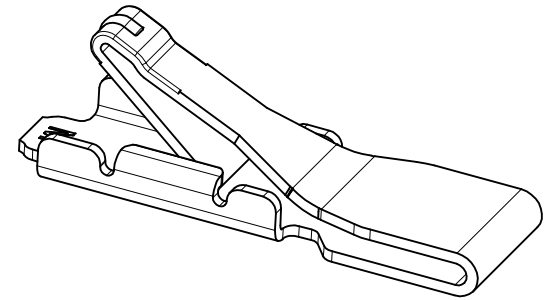
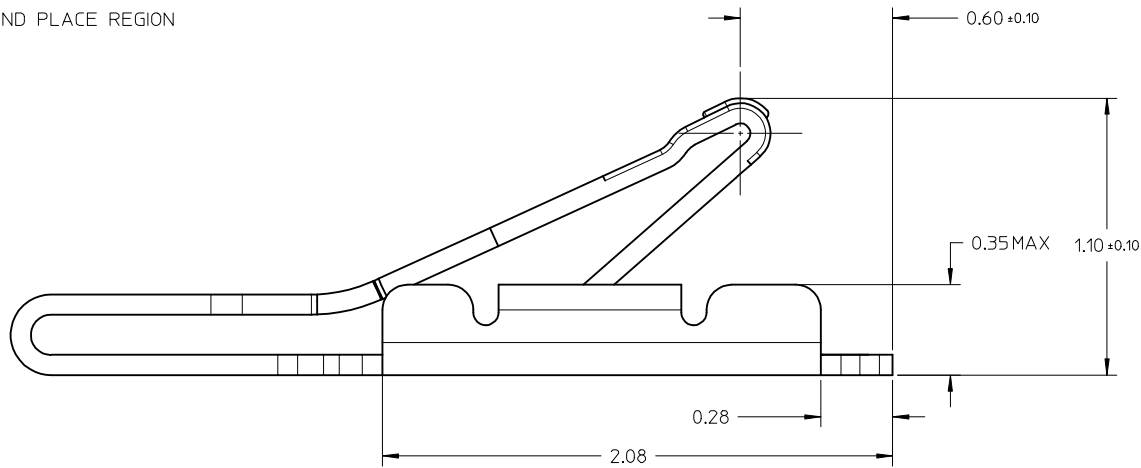
Email & Skype: info@chipsmall.com Web: www.chipsmall.com

Address: A1208, Overseas Decoration Building, #122 Zhenhua RD., Futian, Shenzhen, China





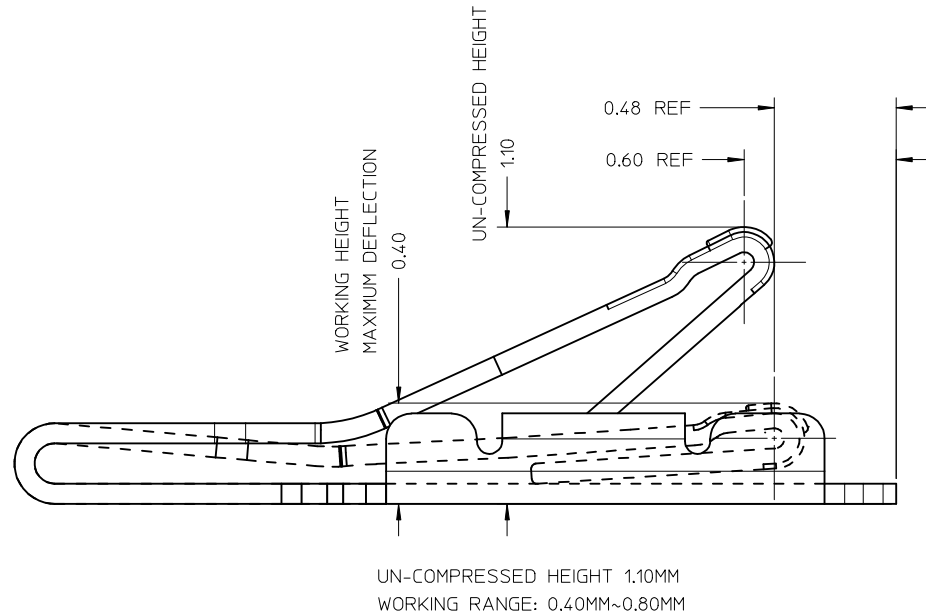
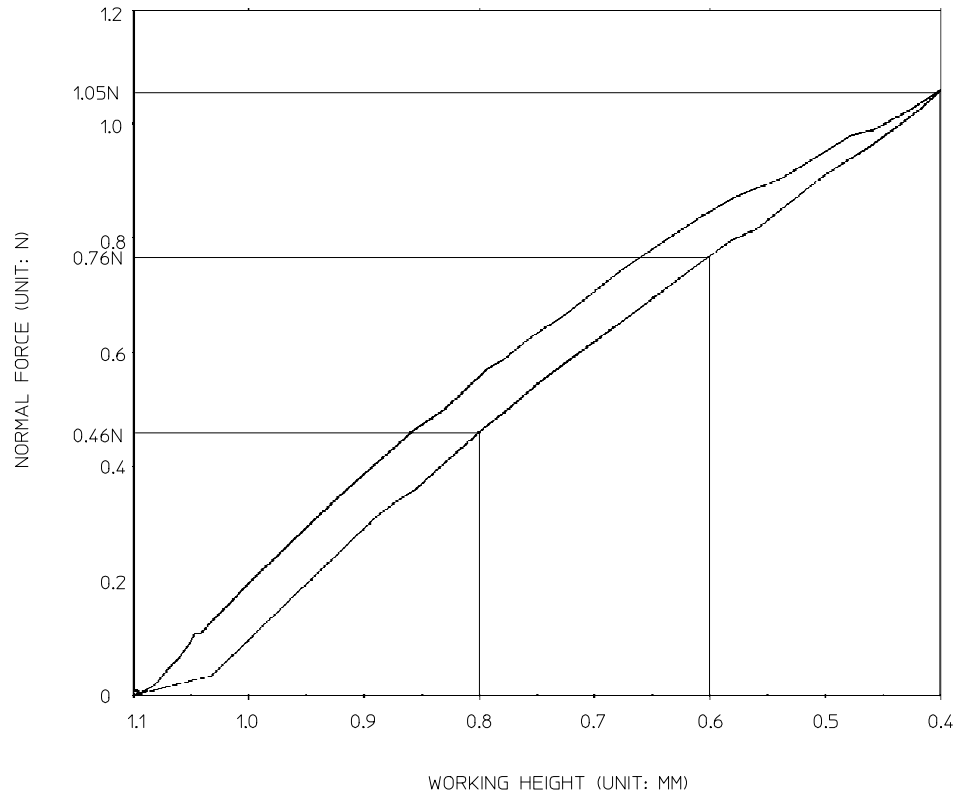
P/N:	PLATING
1053860003	NI UNDER PLATING OVERALL: 2µm MINIMUM SOLDERING AREA: GOLD FLASH CONTACT AREA: 0.25µm Au MINIMUM
1053860004	NI UNDER PLATING OVERALL: 2µm MINIMUM SOLDERING AREA: GOLD FLASH CONTACT AREA: 1.0µm Au MINIMUM



NOTES:

- MATERIAL: STAINLESS STEEL, THICKNESS=0.08mm
- FINISH:
SEE TABLE
- DURABILITY AND NORMAL FORCE:
DURABILITY: 1500 CYCLES
NORMAL FORCE: 0.25N MINIMUM BEFORE DURABILITY
0.20N MINIMUM AFTER DURABILITY
- LOW LEVEL CONTACT RESISTANCE: 50 MILLIOHMS MAXIMUM
- COMPONENT UN-COMPRESSED HEIGHT: 1.10MM
COMPONENT WORKING RANGE: 0.40MM~0.80MM

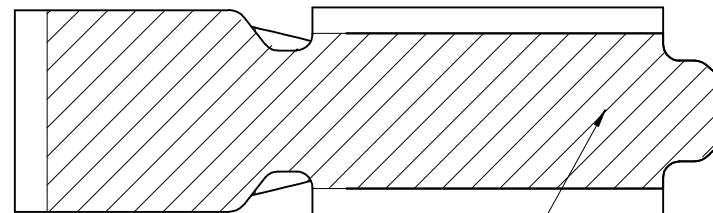
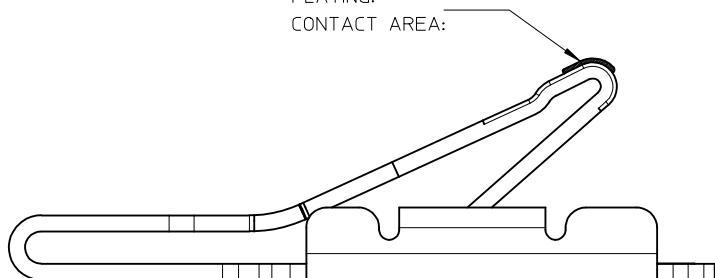
OFFICIAL VERSION EC NO: SH2016-0120 DRW:RL109 2015/11/11 CHKD: APPR:RZHANG 2015/12/03	QUALITY SYMBOLS	GENERAL TOLERANCES (UNLESS SPECIFIED)		DIMENSION STYLE	SCALE	DESIGN UNITS	THIRD ANGLE PROJECTION	
	$F_A=0$ $F_G=0$ $F_P=0$	mm	INCH	MM ONLY	50:1	METRIC		
		4 PLACES	± ---	± ---	DRAWN BY	DATE		TITLE
		3 PLACES	± ---	± ---	RL109	2014/05/07		RF SPRING WORKING RANGE 0.40MM~0.80MM
	2 PLACES	± 0.15	± ---	CHECKED BY	DATE			
	1 PLACE	± 0.20	± ---	APPROVED BY	DATE			
	0 PLACE	± ---	± ---	RZHANG	2015/03/16			
	ANGULAR ± 3 °			MATERIAL NO.	DOCUMENT NO.		SHEET NO.	
	DRAFT WHERE APPLICABLE MUST REMAIN WITHIN DIMENSIONS			SEE TABLE	SD-105386-002		1 OF 4	
				SIZE	THIS DRAWING CONTAINS INFORMATION THAT IS PROPRIETARY TO MOLEX INCORPORATED AND SHOULD NOT BE USED WITHOUT WRITTEN PERMISSION			
				A3				



NORMAL FORCE: 0.46N AT 0.80 MM WORKING HEIGHT (MINIMUM DEFLECTION)
 NORMAL FORCE: 0.76N AT 0.60 MM WORKING HEIGHT (NORMAL DEFLECTION)
 NORMAL FORCE: 1.05N AT 0.40 MM WORKING HEIGHT (MAXIMUM DEFLECTION)

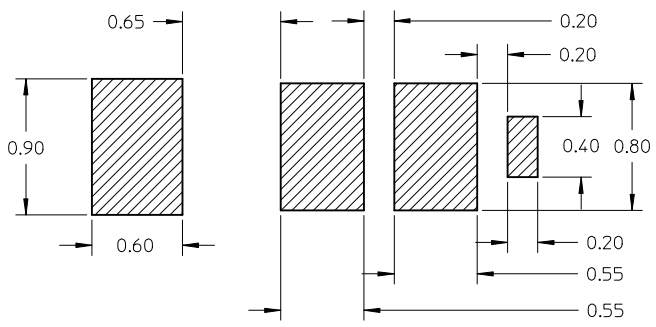
OFFICIAL VERSION EC NO: SH2016-0120 DRW:RL109 CHKD: APPR:RZHANG 2015/11/11 2015/12/03	QUALITY SYMBOLS	GENERAL TOLERANCES (UNLESS SPECIFIED)	DIMENSION STYLE	SCALE	DESIGN UNITS	THIRD ANGLE PROJECTION
	$F_A=0$ $F_G=0$ $F_P=0$	mm INCH 4 PLACES ± --- ± --- 3 PLACES ± --- ± --- 2 PLACES ± 0.15 ± --- 1 PLACE ± 0.20 ± --- 0 PLACE ± --- ± ---	MM ONLY	50:1	METRIC	
	DESCRIPTION	ANGULAR ± 3 °	DRAWN BY	DATE	TITLE	
	REV	DRAFT WHERE APPLICABLE MUST REMAIN WITHIN DIMENSIONS	RL109	2014/05/07	RF SPRING WORKING RANGE 0.40MM~0.80MM	
			CHECKED BY	DATE	molex SD-105386-002	
			APPROVED BY	DATE	SHEET NO. 2 OF 4	
			RZHANG	2015/03/16	THIS DRAWING CONTAINS INFORMATION THAT IS PROPRIETARY TO MOLEX INCORPORATED AND SHOULD NOT BE USED WITHOUT WRITTEN PERMISSION	
			MATERIAL NO.	DOCUMENT NO.		
			SEE TABLE			
			SIZE			
			A3			

OPTION 1: 0.25μm Au MINIMUM FOR 1053860003
 OPTION 2: 1.00μm Au MINIMUM FOR 1053860004
 PLATING:
 CONTACT AREA:

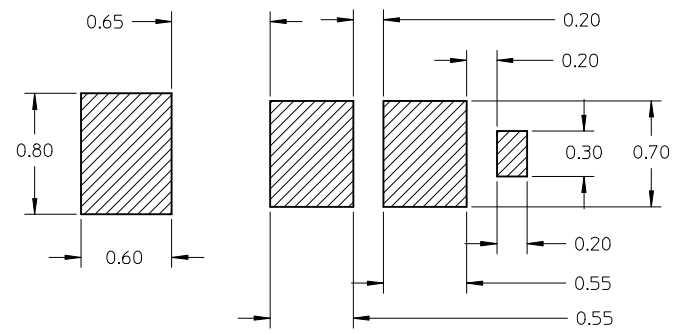


PLATING
 SOLDERING AREA: GOLD FLASH

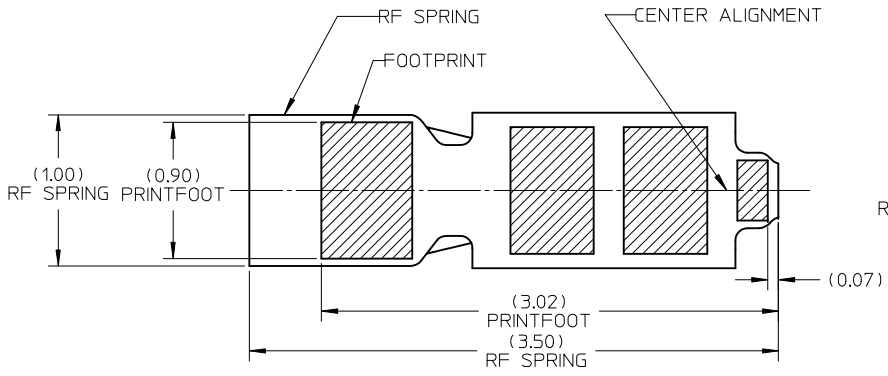
OFFICIAL VERSION EC NO: SH2016-0120 DRW: RL109 CHKD: APPR: RZHANG 2015/11/11 2015/12/03	DESCRIPTION REV	QUALITY SYMBOLS	GENERAL TOLERANCES (UNLESS SPECIFIED)		DIMENSION STYLE	SCALE	DESIGN UNITS	THIRD ANGLE PROJECTION			
		$F_A=0$ $F_G=0$ $F_P=0$	mm	INCH	MM ONLY	50:1	METRIC				
		4 PLACES ± --- ± --- 3 PLACES ± --- ± --- 2 PLACES ± 0.15 ± --- 1 PLACE ± 0.20 ± --- 0 PLACE ± --- ± ---	DRAWN BY: RL109 DATE: 2014/05/07		CHECKED BY: DATE:		TITLE: RF SPRING WORKING RANGE 0.40MM~0.80MM				
		ANGULAR ± 3 ° DRAFT WHERE APPLICABLE MUST REMAIN WITHIN DIMENSIONS	APPROVED BY: RZHANG DATE: 2015/03/16		MATERIAL NO. SEE TABLE		DOCUMENT NO. SD-105386-002			SHEET NO. 3 OF 4	
		SIZE: A3		THIS DRAWING CONTAINS INFORMATION THAT IS PROPRIETARY TO MOLEX INCORPORATED AND SHOULD NOT BE USED WITHOUT WRITTEN PERMISSION							



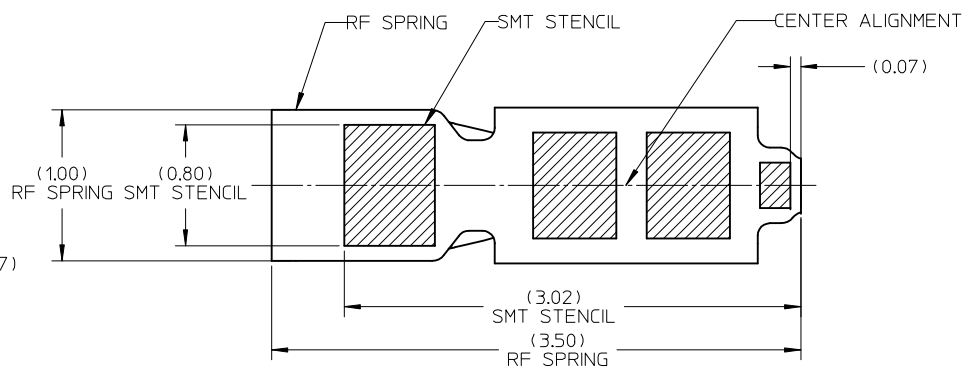
RECOMMENDED FOOTPRINT
(TOLERANCE ±0.05)



SMT STENCIL
PROFILE TOLERANCE: ±0.05
THICKNESS: 0.08MM



RELATIVE LOCATION: FOOTPRINT VS RF SPRING



RELATIVE LOCATION: STENCIL VS RF SPRING

OFFICIAL VERSION EC NO: SH2016-0120 DRW:RL109 CHKD: APPR:RZHANG 2015/11/11 2015/12/03	QUALITY SYMBOLS $F_A=0$ $F_G=0$ $F_P=0$	GENERAL TOLERANCES (UNLESS SPECIFIED) mm INCH 4 PLACES ± --- ± --- 3 PLACES ± --- ± --- 2 PLACES ± 0.15 ± --- 1 PLACE ± 0.20 ± --- 0 PLACE ± --- ± --- ANGULAR ± 3 ° DRAFT WHERE APPLICABLE MUST REMAIN WITHIN DIMENSIONS	DIMENSION STYLE MM ONLY DRAWN BY: RL109 DATE: 2014/05/07 CHECKED BY: DATE: APPROVED BY: RZHANG DATE: 2015/03/16 MATERIAL NO.: DOCUMENT NO.: SD-105386-002	SCALE: 50:1 DESIGN UNITS: METRIC THIRD ANGLE PROJECTION	TITLE: RF SPRING WORKING RANGE 0.40MM~0.80MM molex SHEET NO. 4 OF 4
	SEE TABLE	THIS DRAWING CONTAINS INFORMATION THAT IS PROPRIETARY TO MOLEX INCORPORATED AND SHOULD NOT BE USED WITHOUT WRITTEN PERMISSION			
	SIZE: A3	INCORPORATED AND SHOULD NOT BE USED WITHOUT WRITTEN PERMISSION			
	REV: B	INCORPORATED AND SHOULD NOT BE USED WITHOUT WRITTEN PERMISSION			