



Chipsmall Limited consists of a professional team with an average of over 10 year of expertise in the distribution of electronic components. Based in Hongkong, we have already established firm and mutual-benefit business relationships with customers from,Europe,America and south Asia,supplying obsolete and hard-to-find components to meet their specific needs.

With the principle of "Quality Parts,Customers Priority,Honest Operation,and Considerate Service",our business mainly focus on the distribution of electronic components. Line cards we deal with include Microchip,ALPS,ROHM,Xilinx,Pulse,ON,Everlight and Freescale. Main products comprise IC,Modules,Potentiometer,IC Socket,Relay,Connector.Our parts cover such applications as commercial,industrial, and automotives areas.

We are looking forward to setting up business relationship with you and hope to provide you with the best service and solution. Let us make a better world for our industry!



Contact us

Tel: +86-755-8981 8866 Fax: +86-755-8427 6832

Email & Skype: info@chipsmall.com Web: www.chipsmall.com

Address: A1208, Overseas Decoration Building, #122 Zhenhua RD., Futian, Shenzhen, China



10 9 8 7 6 5 4 3 2 1

F

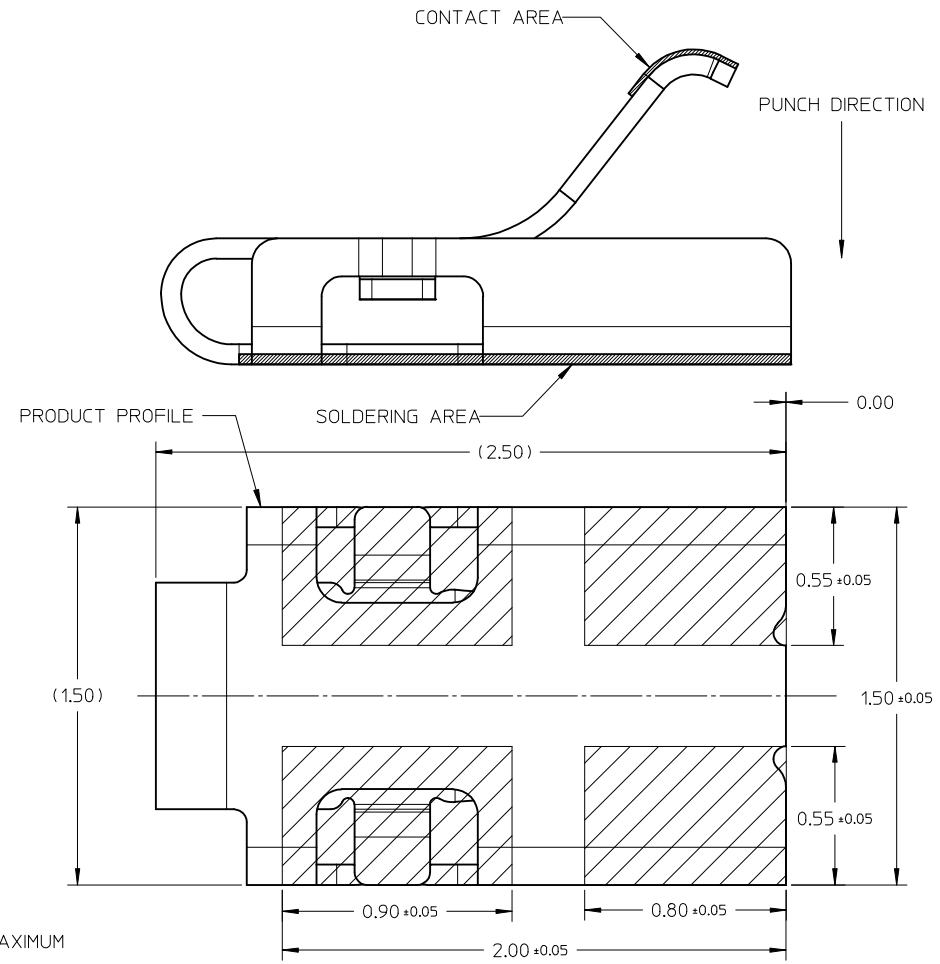
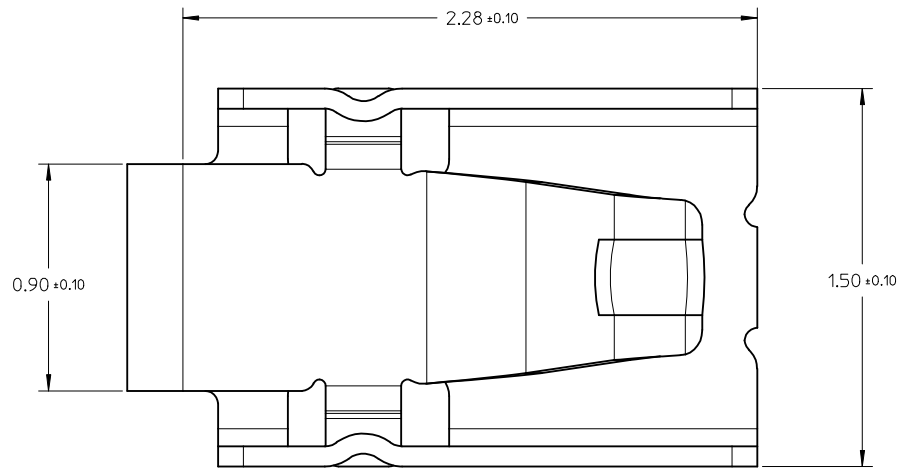
E

D

C

B

A



NO BURR AT CONTACT AREA

0.08

CO-PLANARITY 0.08MM MAXIMUM

RECOMMENDED PWB GOLDEN PAD
THICKNESS OF SOLDER PASTE: 0.10mm

NOTES:

1. MATERIAL: STAINLESS STEEL
2. FINISH:
NI UNDER PLATING OVERALL: 1.25um MINIMUM
SOLDERING AREA: GOLD FLASH
CONTACT AREA: 0.25um Au MINIMUM
3. COMPONENT UN-COMPRESSED HEIGHT: 1.25mm
COMPONENT WORKING RANGE: 0.55mm~1.05mm
4. CURRENT: 1.5Amps MAXIMUM
5. CONTACT RESISTANCE:
INITIAL: 75mOHM MAXIMUM
AFTER GROUP TEST: 100mOHM MAXIMUM
6. CONTACT FORCE:
0.2N MINIMUM AT 1.05mm POSITION
7. PRODUCT COMPLIANT TO ROHS DIRECTIVE 2011/65/EU
AND ELV DIRECTIVE 2003/53/EC

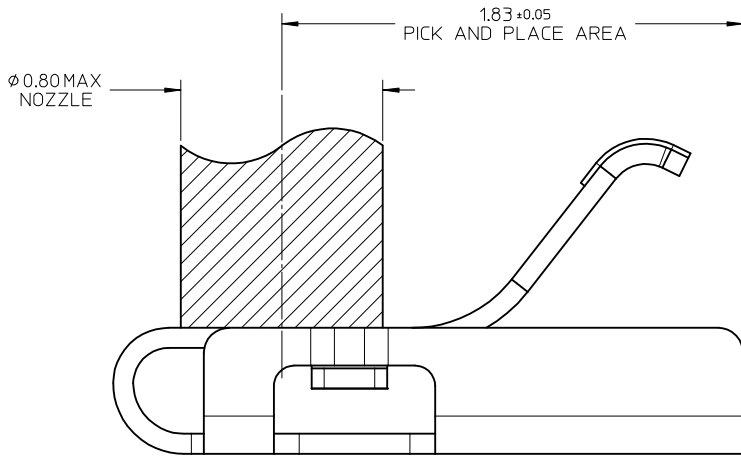
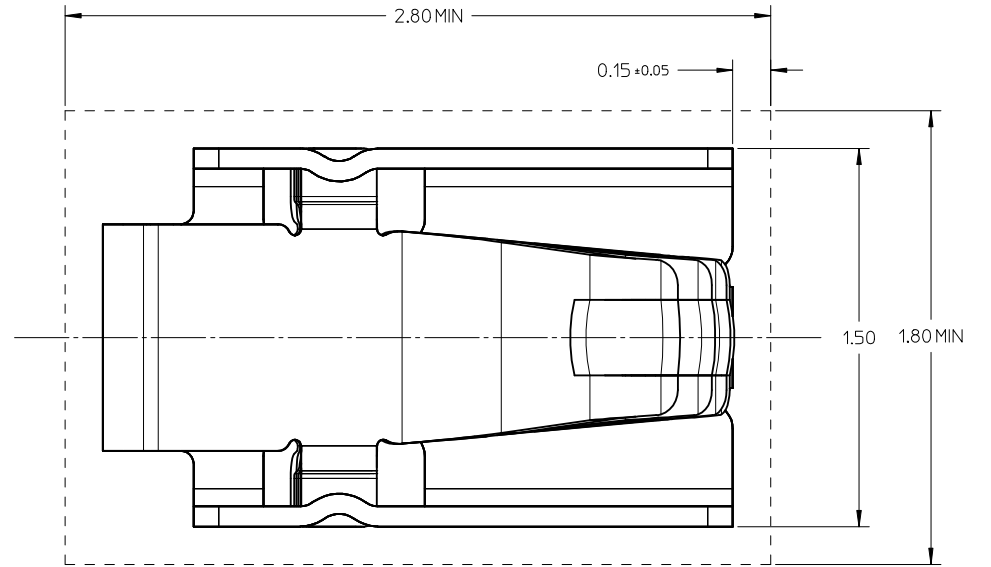
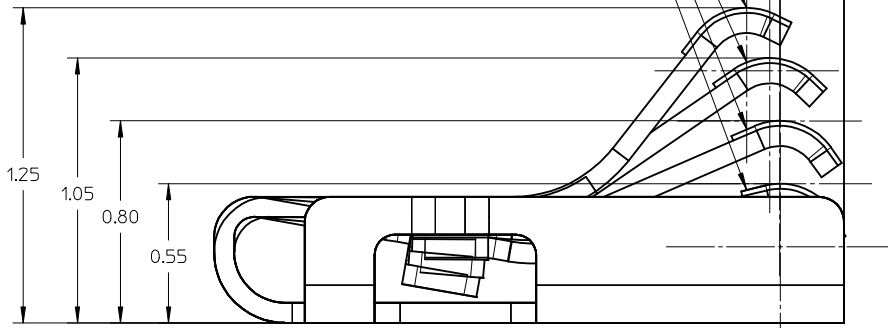
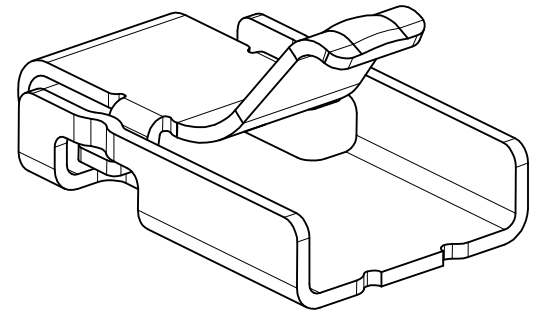
PROPOSAL EC NO: SHZ016-0120 DRW: RL109 CHKD: APPR: RZHANG 2015/11/11 2015/12/03	QUALITY SYMBOLS $F_A=0$ $F_G=0$ $F_P=0$	GENERAL TOLERANCES (UNLESS SPECIFIED)		DIMENSION STYLE	SCALE	DESIGN UNITS	THIRD ANGLE PROJECTION	
				MM ONLY	50:1	METRIC		
				DRAWN BY	DATE	TITLE		
				RL109	2015/04/02	SPRING FINGER WORKING RANGE 0.55MM~1.05MM		
		CHECKED BY		DATE	APPROVED BY			
					RZHANG			
				DATE	MATERIAL NO.			
				2015/12/03	1054390002			
				ANGULAR ± 3 °	DOCUMENT NO.			
					SD-105439-200			
				DRAFT WHERE APPLICABLE MUST REMAIN WITHIN DIMENSIONS	SHEET NO.			
					1 OF 2			
				SIZE	THIS DRAWING CONTAINS INFORMATION THAT IS PROPRIETARY TO MOLEX INCORPORATED AND SHOULD NOT BE USED WITHOUT WRITTEN PERMISSION			
				A3				

9 8 7 6 5 4 3 2 1

10 9 8 7 6 5 4 3 2 1

FREE HEIGHT
 MINIMUM WORKING POSITION
 NOMINAL WORKING POSITION
 MAXIMUM WORKING POSITION

0.39
 CONTACT POINT AT FREE HEIGHT
 0.30 ± 0.20
 CONTACT POINT AT MINIMUM WORKING POSITION
 0.26 ± 0.20
 CONTACT POINT AT NOMINAL WORKING POSITION
 0.25 ± 0.20
 CONTACT POINT AT MAXIMUM WORKING POSITION



ROOM RESERVATION FOR CLIP

PROPOSAL EC NO: SH2016-0120 DRW:RL109 CHKD: APPR:RZHANG 2015/11/11 2015/12/03	QUALITY SYMBOLS	GENERAL TOLERANCES (UNLESS SPECIFIED)	DIMENSION STYLE	SCALE	DESIGN UNITS	THIRD ANGLE PROJECTION	
	$F_A=0$ $F_G=0$ $F_P=0$	mm INCH 4 PLACES ± --- ± --- 3 PLACES ± --- ± --- 2 PLACES ± 0.15 ± --- 1 PLACE ± 0.20 ± --- 0 PLACE ± --- ± ---	MM ONLY	50:1	METRIC		
	DRAFT WHERE APPLICABLE MUST REMAIN WITHIN DIMENSIONS	ANGULAR ± 3 ° MATERIAL NO. 1054390002	DRAWN BY RL109 CHECKED BY DATE 2015/04/02	TITLE SPRING FINGER WORKING RANGE 0.55MM~1.05MM	APPROVED BY RZHANG DATE 2015/12/03	DOCUMENT NO. SD-105439-200	SHEET NO. 2 OF 2
	THIS DRAWING CONTAINS INFORMATION THAT IS PROPRIETARY TO MOLEX INCORPORATED AND SHOULD NOT BE USED WITHOUT WRITTEN PERMISSION	SIZE A3	molex				

9 8 7 6 5 4 3 2 1