



Chipsmall Limited consists of a professional team with an average of over 10 year of expertise in the distribution of electronic components. Based in Hongkong, we have already established firm and mutual-benefit business relationships with customers from,Europe,America and south Asia,supplying obsolete and hard-to-find components to meet their specific needs.

With the principle of “Quality Parts,Customers Priority,Honest Operation,and Considerate Service”,our business mainly focus on the distribution of electronic components. Line cards we deal with include Microchip,ALPS,ROHM,Xilinx,Pulse,ON,Everlight and Freescale. Main products comprise IC,Modules,Potentiometer,IC Socket,Relay,Connector.Our parts cover such applications as commercial,industrial, and automotives areas.

We are looking forward to setting up business relationship with you and hope to provide you with the best service and solution. Let us make a better world for our industry!



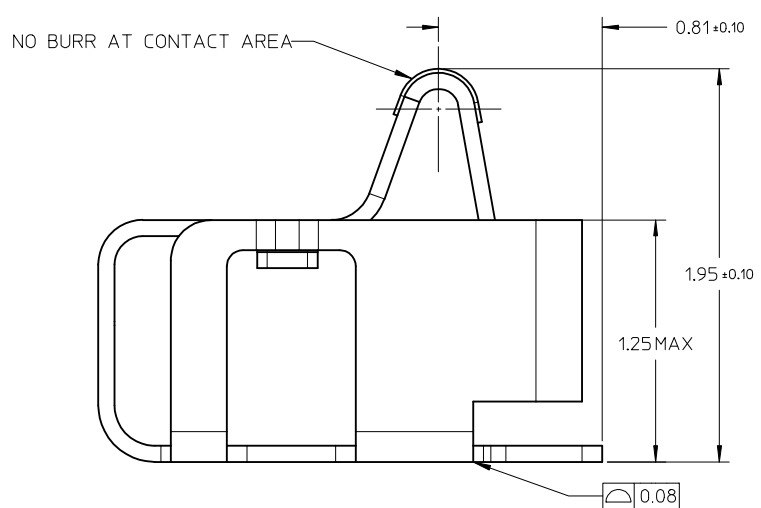
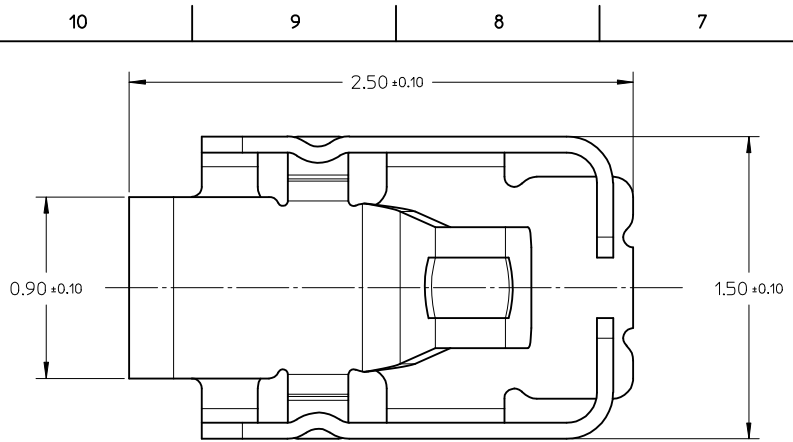
Contact us

Tel: +86-755-8981 8866 Fax: +86-755-8427 6832

Email & Skype: info@chipsmall.com Web: www.chipsmall.com

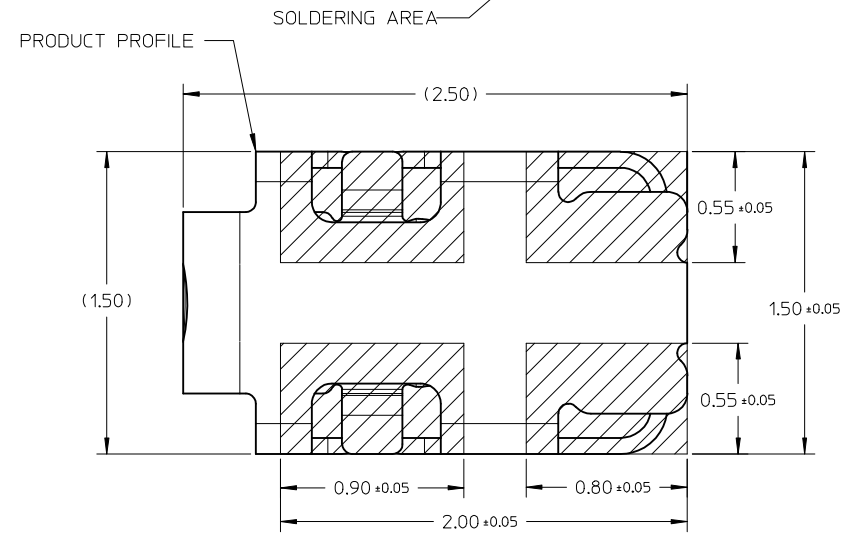
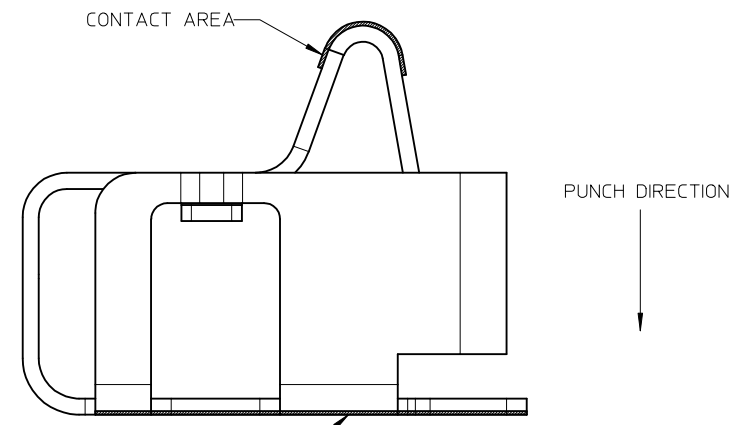
Address: A1208, Overseas Decoration Building, #122 Zhenhua RD., Futian, Shenzhen, China





- NOTES:
1. MATERIAL: STAINLESS STEEL
 2. FINISH:
 NI UNDER PLATING OVERALL: 1.25um MINIMUM
 SOLDERING AREA: GOLD FLASH
 CONTACT AREA: 0.25um Au MINIMUM
 3. COMPONENT UN-COMPRESSED HEIGHT: 1.95mm
 COMPONENT WORKING RANGE: 1.25mm~1.75mm
 4. CURRENT: 1.5Amps MAXIMUM
 5. CONTACT RESISTANCE:
 INITIAL: 75mOHM MAXIMUM
 AFTER GROUP TEST: 100mOHM MAXIMUM
 6. CONTACT FORCE:
 0.2N MINIMUM AT 1.75mm POSITION
 7. PRODUCT COMPLIANT TO ROHS DIRECTIVE 2011/65/EU
 AND ELV DIRECTIVE 2003/53/EC

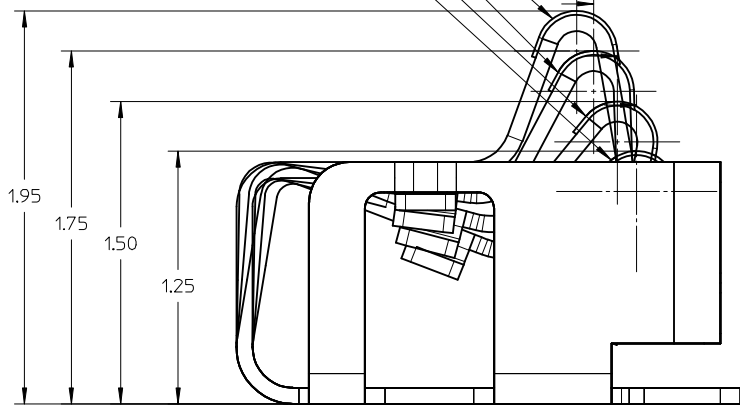
CO-PLANARITY 0.08MM MAXIMUM



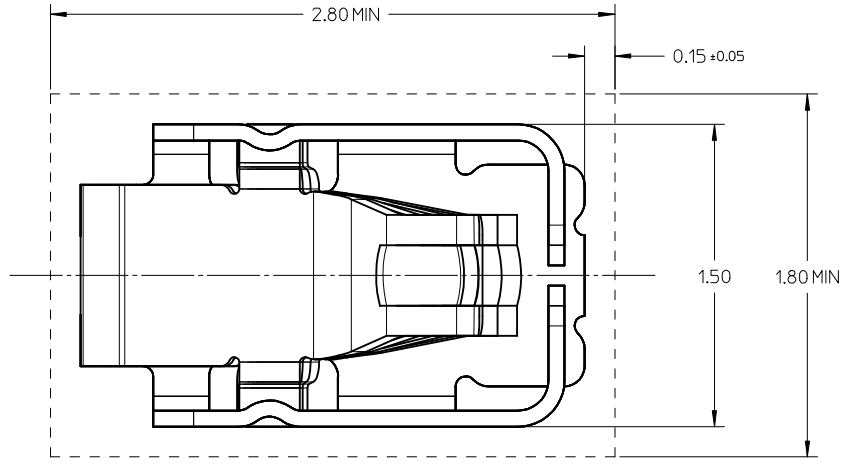
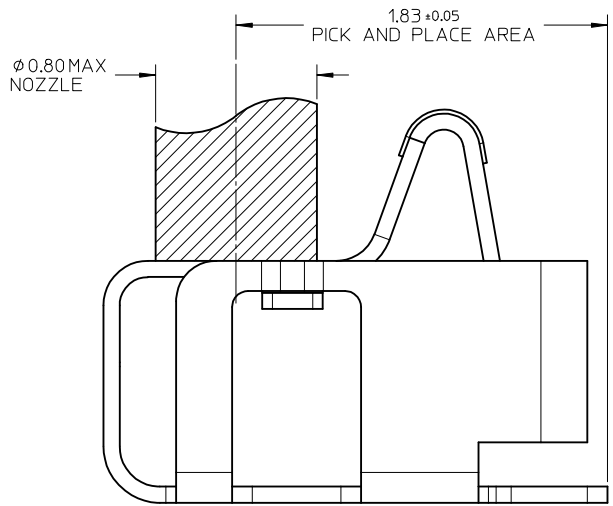
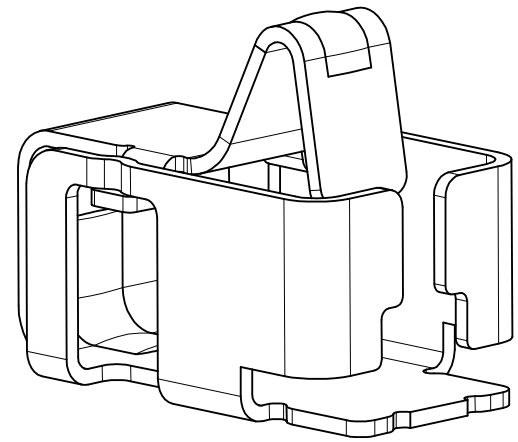
RECOMMENDED PWB GOLDEN PAD
 THICKNESS OF SOLDER PASTE: 0.10mm

- PROPOSAL
- EC NO: SH2016-0120 2015/10/26
- DRW:RL109
- CHKD:
- APPR:RZHANG 2015/12/03
- DESCRIPTION
- QUALITY SYMBOLS
- GENERAL TOLERANCES (UNLESS SPECIFIED)
- | | mm | INCH |
|----------|--------|-------|
| 4 PLACES | ± --- | ± --- |
| 3 PLACES | ± --- | ± --- |
| 2 PLACES | ± 0.15 | ± --- |
| 1 PLACE | ± 0.20 | ± --- |
| 0 PLACE | ± --- | ± --- |
- ANGULAR ± 3 °
- DRAFT WHERE APPLICABLE MUST REMAIN WITHIN DIMENSIONS
- DIMENSION STYLE MM ONLY
- SCALE 40:1
- DESIGN UNITS METRIC
- THIRD ANGLE PROJECTION
- DRAWN BY RL109 DATE 2015/04/03
- CHECKED BY DATE
- APPROVED BY RZHANG DATE 2015/12/03
- MATERIAL NO. 1054390004
- DOCUMENT NO. SD-105439-400
- TITLE SPRING CLIP WORKING RANGE 1.25MM~1.75MM
- molex**
- SHEET NO. 1 OF 2
- THIS DRAWING CONTAINS INFORMATION THAT IS PROPRIETARY TO MOLEX INCORPORATED AND SHOULD NOT BE USED WITHOUT WRITTEN PERMISSION

FREE HEIGHT
 MINIMUM WORKING POSITION
 NOMINAL WORKING POSITION
 MAXIMUM WORKING POSITION



0.81 CONTACT POINT AT FREE HEIGHT
 0.73 CONTACT POINT AT MINIMUM WORKING POSITION
 0.61 CONTACT POINT AT NOMINAL WORKING POSITION
 0.52 CONTACT POINT AT MAXIMUM WORKING POSITION



ROOM RESERVATION FOR CLIP

PROPOSAL EC NO: SH2016-0120 DRW:RL109 CHKD: APPR:RZHANG 2015/10/26 2015/12/03	QUALITY SYMBOLS	GENERAL TOLERANCES (UNLESS SPECIFIED)	DIMENSION STYLE MM ONLY	SCALE 40:1	DESIGN UNITS METRIC	THIRD ANGLE PROJECTION	
	$F_A=0$ $F_G=0$ $F_P=0$	mm INCH 4 PLACES ± --- ± --- 3 PLACES ± --- ± --- 2 PLACES ± 0.15 ± --- 1 PLACE ± 0.20 ± --- 0 PLACE ± --- ± ---	DRAWN BY: RL109 CHECKED BY: APPROVED BY: RZHANG DATE: 2015/04/03 DATE: 2015/12/03	TITLE	SPRING CLIP WORKING RANGE 1.25MM~1.75MM		
	ANGULAR ± 3 ° DRAFT WHERE APPLICABLE MUST REMAIN WITHIN DIMENSIONS	MATERIAL NO. 1054390004	DOCUMENT NO. SD-105439-400	molex			
	SIZE A3	THIS DRAWING CONTAINS INFORMATION THAT IS PROPRIETARY TO MOLEX INCORPORATED AND SHOULD NOT BE USED WITHOUT WRITTEN PERMISSION					