



Chipsmall Limited consists of a professional team with an average of over 10 year of expertise in the distribution of electronic components. Based in Hongkong, we have already established firm and mutual-benefit business relationships with customers from,Europe,America and south Asia,supplying obsolete and hard-to-find components to meet their specific needs.

With the principle of "Quality Parts,Customers Priority,Honest Operation,and Considerate Service",our business mainly focus on the distribution of electronic components. Line cards we deal with include Microchip,ALPS,ROHM,Xilinx,Pulse,ON,Everlight and Freescale. Main products comprise IC,Modules,Potentiometer,IC Socket,Relay,Connector.Our parts cover such applications as commercial,industrial, and automotives areas.

We are looking forward to setting up business relationship with you and hope to provide you with the best service and solution. Let us make a better world for our industry!



## Contact us

Tel: +86-755-8981 8866 Fax: +86-755-8427 6832

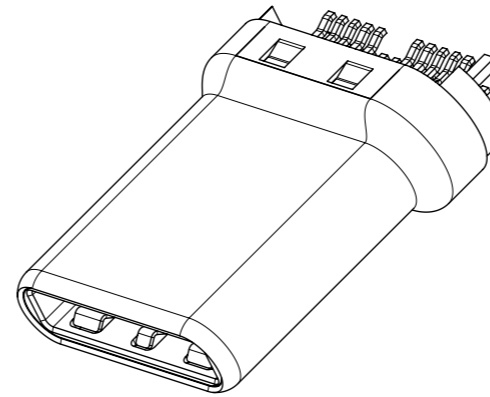
Email & Skype: info@chipsmall.com Web: www.chipsmall.com

Address: A1208, Overseas Decoration Building, #122 Zhenhua RD., Futian, Shenzhen, China



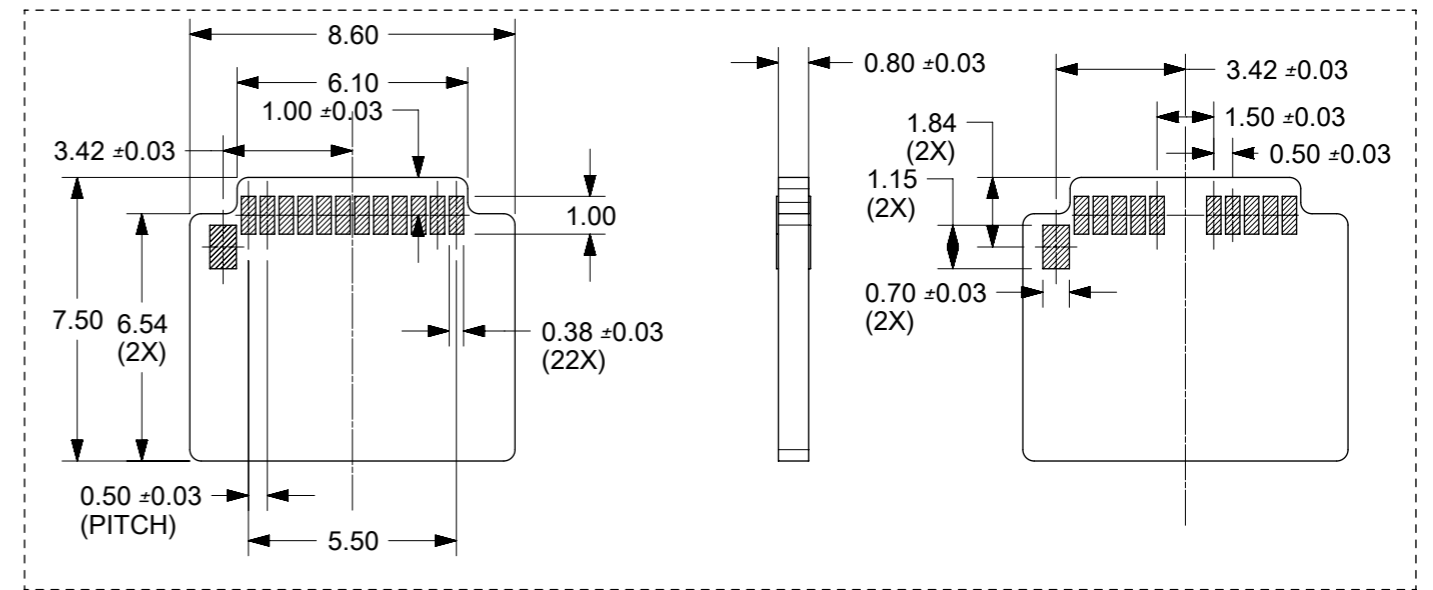
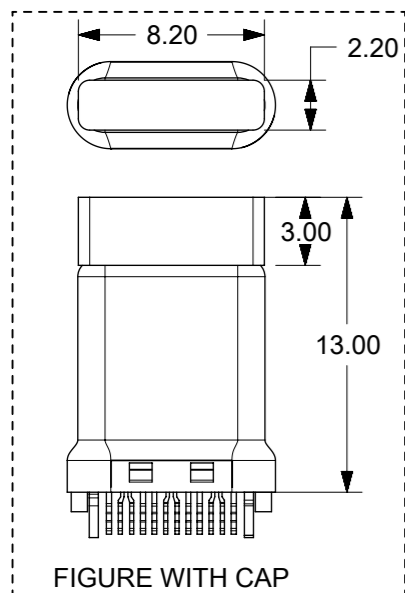
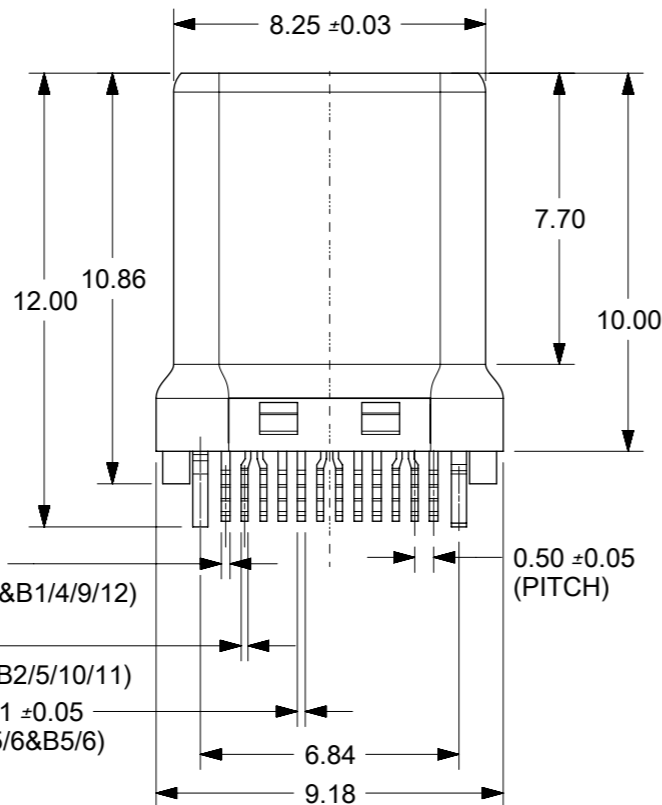
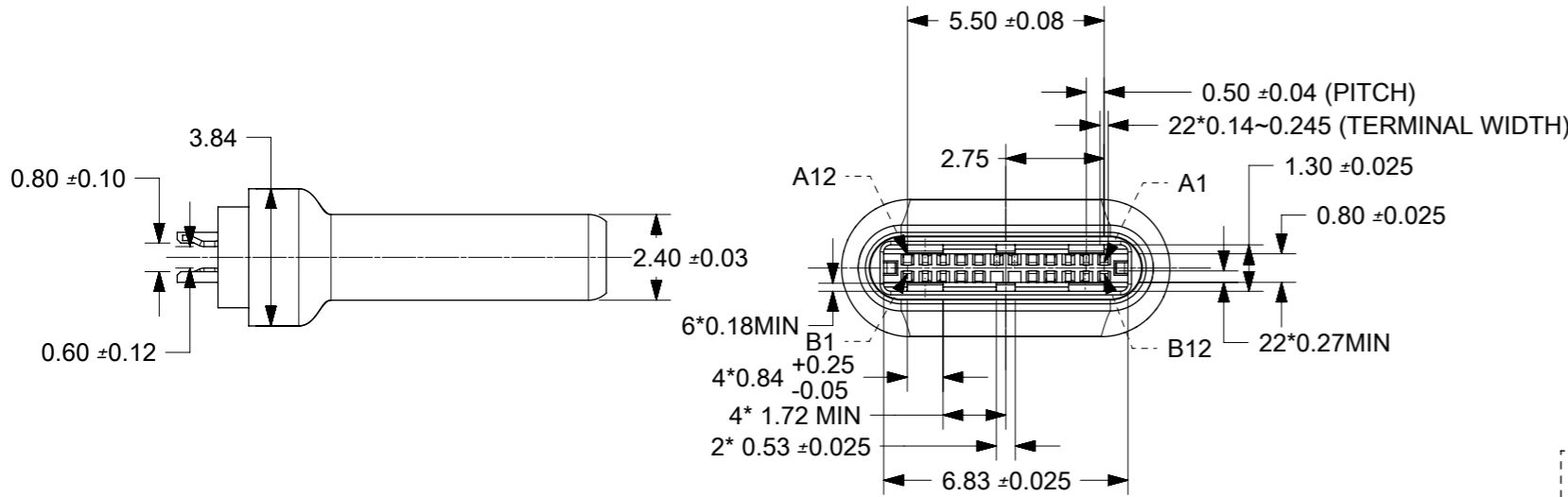
PIN ASSIGNMENT

A12	A11	A10	A9	A8	A7	A6	A5	A4	A3	A2	A1
GND	RX2+	RX2-	Vbus	Sbu1	D-	D+	CC	Vbus	TX1-	TX1+	GND
GND	TX2+	TX2-	Vbus	Vconn			Sbu2	VbuS	RX1-	RX1+	GND
B1	B2	B3	B4	B5			B8	B9	B10	B11	B12



NOTES:

- MATERIAL:
  - HOUSING: THERMOPLASTIC, UL94-V0; COLOR:BLACK;
  - INSERT MOLDING HOUSING: THERMOPLASTIC, UL94-V0;COLOR:BLACK;
  - TERMINAL: COPPER ALLOY;
  - OUTTER SHELL:STAINLESS STEEL;
  - FRONT SPRING::STAINLESS STEEL;
  - MIDDLE LATCH:STAINLESS STEEL;
  - ISOLATED LAYER:MYLAR;
- FINISH:
  - TERMINAL:
    - 80 MICROINCH MIN. NICKEL UNDERPLATING OVERALL,
    - 120 MICROINCH MIN. TIN PLATING ON SOLDERING AREA;;
    - PLEASE REFER TO TABLE FOR CONTACT AREA PLATING;
  - OUTTER SHELL:
    - 50 MICROINCH MIN. BRIGHT NICKEL UNDERPLATING OVERALL,
  - FRONT SPRING:
    - 50 MICROINCH MIN. NICKEL UNDERPLATING OVERALL;
  - MIDDLE LATCH:
    - 50 MICROINCH MIN. NICKEL UNDERPLATING OVERALL;
- PRODUCT SPECIFICATION:1054440001
- PACKAGE SPECIFICATION:1054440001(PACKAGE WIHT TRARY)
- PACKAGE SPECIFICATION:1054441001(PACKAGE WIHT TAPE AND REEL)



RECOMMENDED PCB LAYOUT  
(DEFAULT TOLERANCE :+/-0.05)

PART NUMBER	PLATING ON TERMINAL CONTACT AREA	PACAGE TYPE
1054440001	30 MICROINCH MIN. GOLD PLATING	TRAY
1054440101	GOLD FLASH OVER 30MICROINCH PbNi	
1054440201	15 MICROINCH MIN. GOLD PLATING	TAPE AND REEL
1054440011	30 MICROINCH MIN. GOLD PLATING	
1054440111	GOLD FLASH OVER 30MICROINCH PbNi	
1054440211	15 MICROINCH MIN. GOLD PLATING	

THIS DRAWING CONTAINS INFORMATION THAT IS PROPRIETARY TO MOLEX ELECTRONIC TECHNOLOGIES, LLC AND SHOULD NOT BE USED WITHOUT WRITTEN PERMISSION

RELEASED	2015/12/27	GENERAL TOLERANCES (UNLESS SPECIFIED)	DIMENSION UNITS	SCALE	<b>molex</b> <sup>®</sup>			
	2016/04/25		MM	8:1				
	EC NO: 102278		DRWN BY	DATE		USB C PLUG,SPLINT		
	DRWN: FYANG05		FYANG05	2015/11/25				
CHK'D: RZHANG	4 PLACES ±	ANGULAR TOL ± 1.0 °	CHK'D BY	DATE	PRODUCT CUSTOMER DRAWING			
APPR: RZHANG	3 PLACES ± 0.05	2 PLACES ± 0.25	RZHANG	2015/12/01				
REV	APPR	1 PLACE ± 0.25	APPR BY	DATE	SERIES	MATERIAL NUMBER	CUSTOMER	
B		0 PLACES ±	RZHANG	2015/12/01	105444	SEE TABLE		
		DRAFT WHERE APPLICABLE MUST REMAIN WITHIN DIMENSIONS	DRAWING SIZE	THIRD ANGLE PROJECTION	DOCUMENT NUMBER	DOC TYPE	DOC PART	SHEET NUMBER
			A3		1054440001	PSD	SM	1 OF 1