



Chipsmall Limited consists of a professional team with an average of over 10 year of expertise in the distribution of electronic components. Based in Hongkong, we have already established firm and mutual-benefit business relationships with customers from,Europe,America and south Asia,supplying obsolete and hard-to-find components to meet their specific needs.

With the principle of "Quality Parts,Customers Priority,Honest Operation,and Considerate Service",our business mainly focus on the distribution of electronic components. Line cards we deal with include Microchip,ALPS,ROHM,Xilinx,Pulse,ON,Everlight and Freescale. Main products comprise IC,Modules,Potentiometer,IC Socket,Relay,Connector.Our parts cover such applications as commercial,industrial, and automotives areas.

We are looking forward to setting up business relationship with you and hope to provide you with the best service and solution. Let us make a better world for our industry!



## Contact us

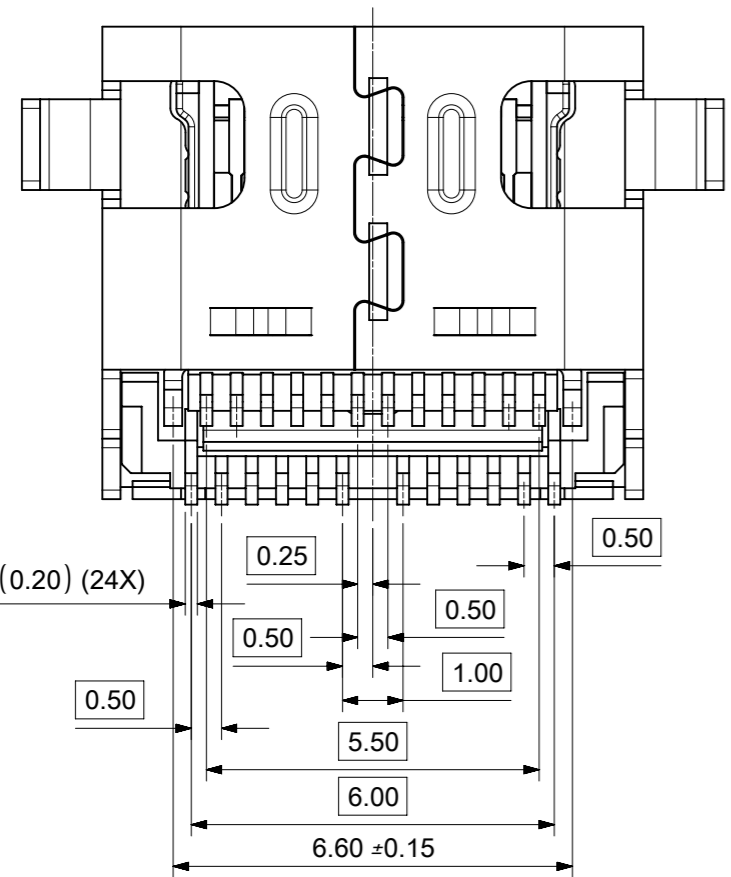
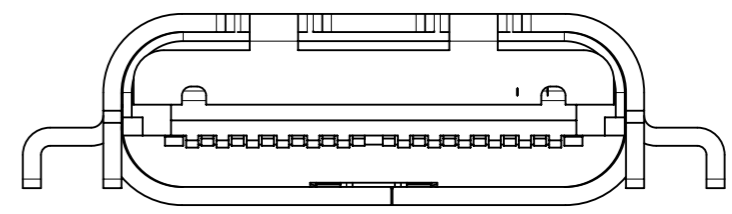
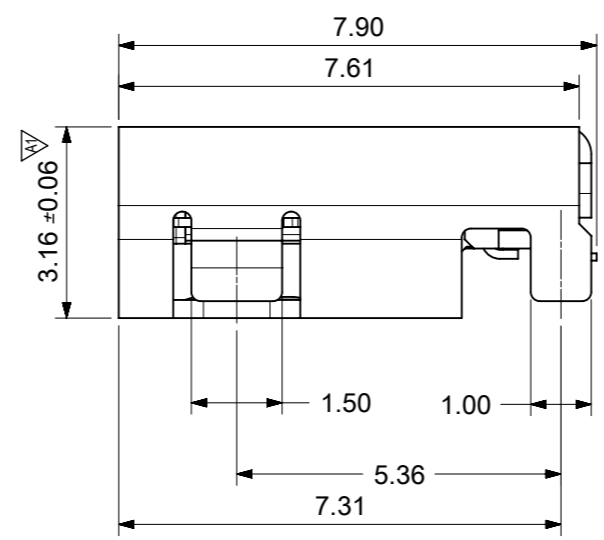
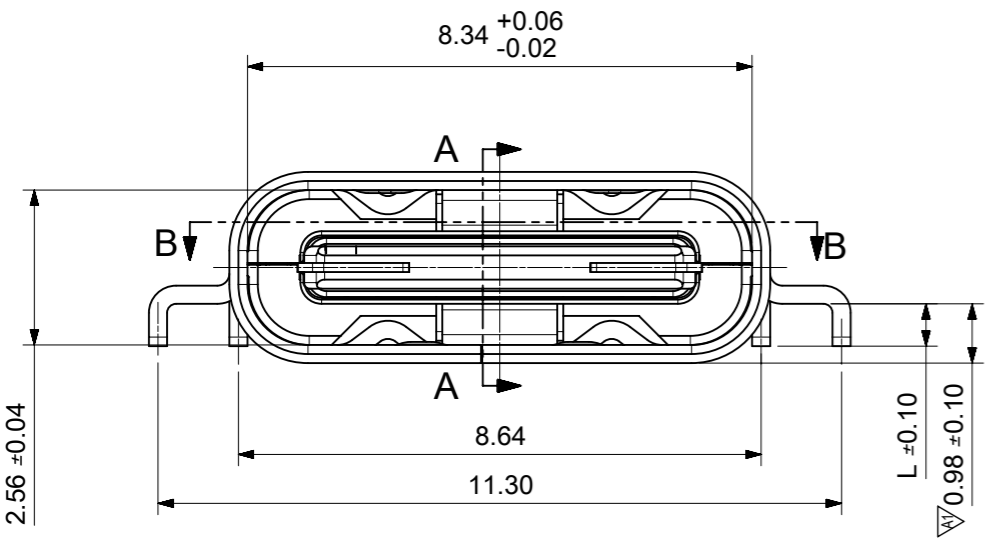
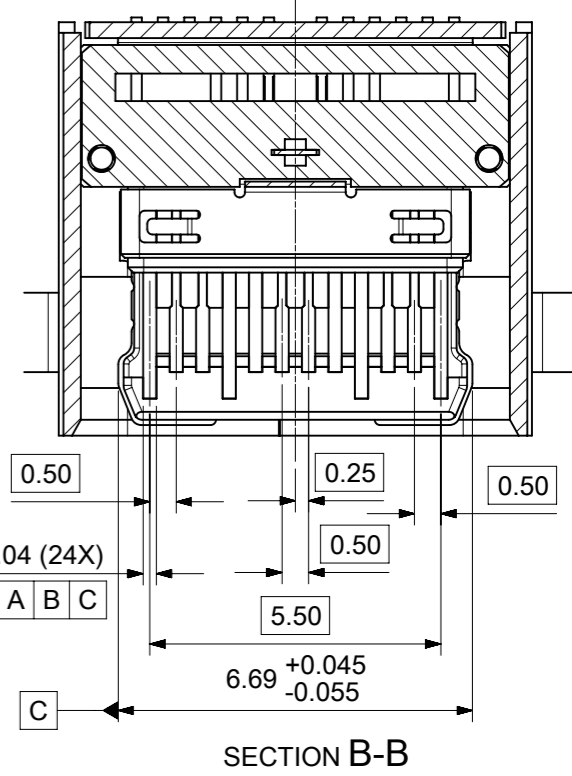
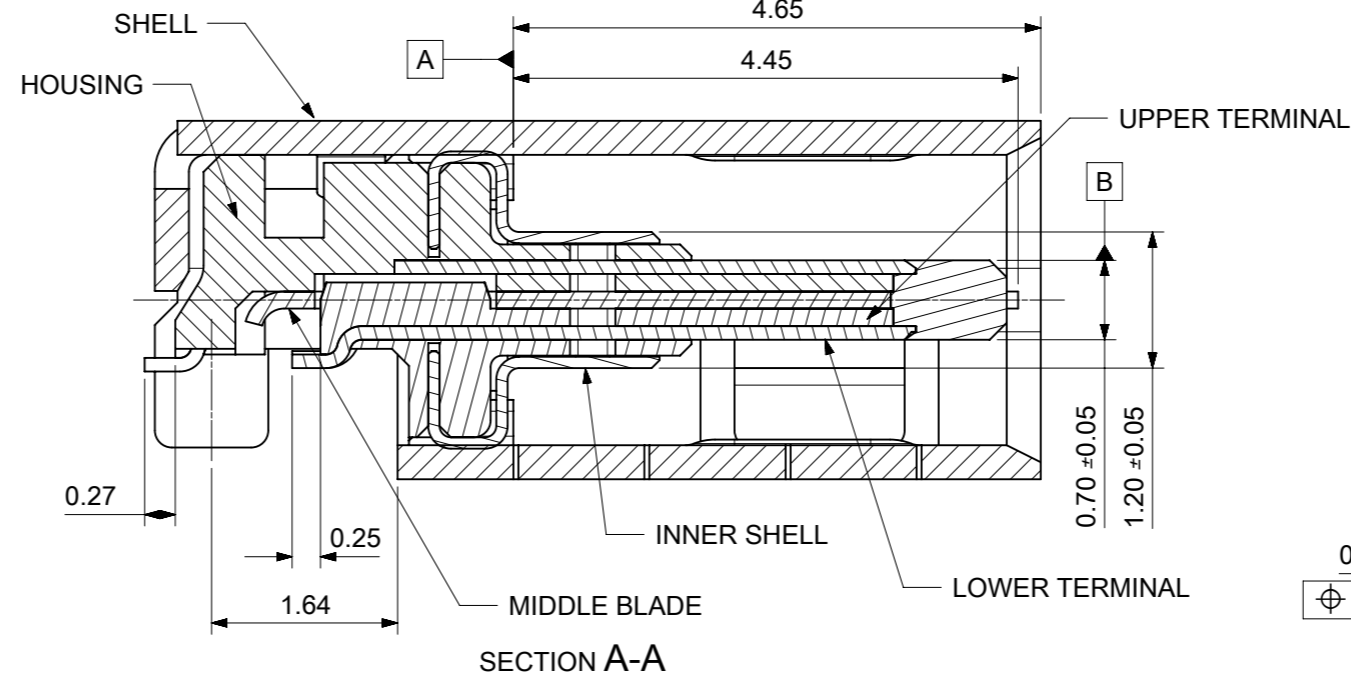
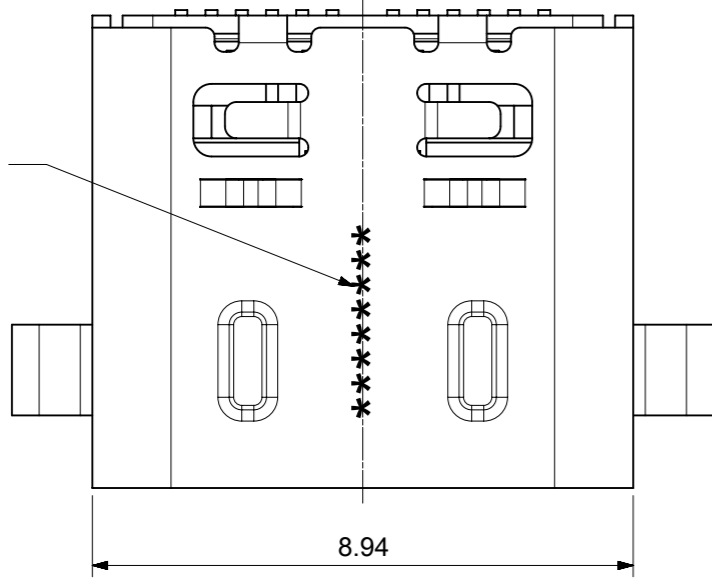
Tel: +86-755-8981 8866 Fax: +86-755-8427 6832

Email & Skype: info@chipsmall.com Web: www.chipsmall.com

Address: A1208, Overseas Decoration Building, #122 Zhenhua RD., Futian, Shenzhen, China



DATE CODE

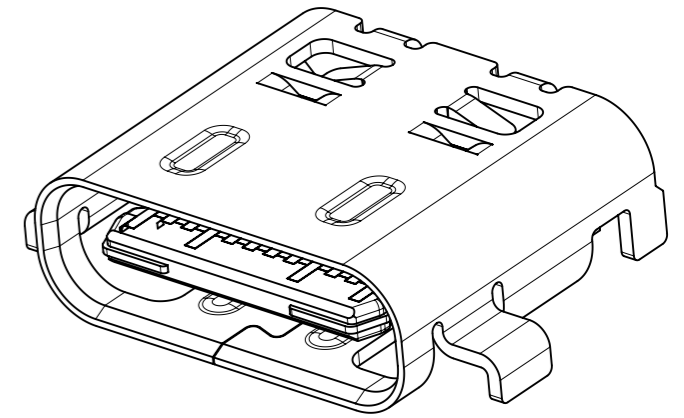
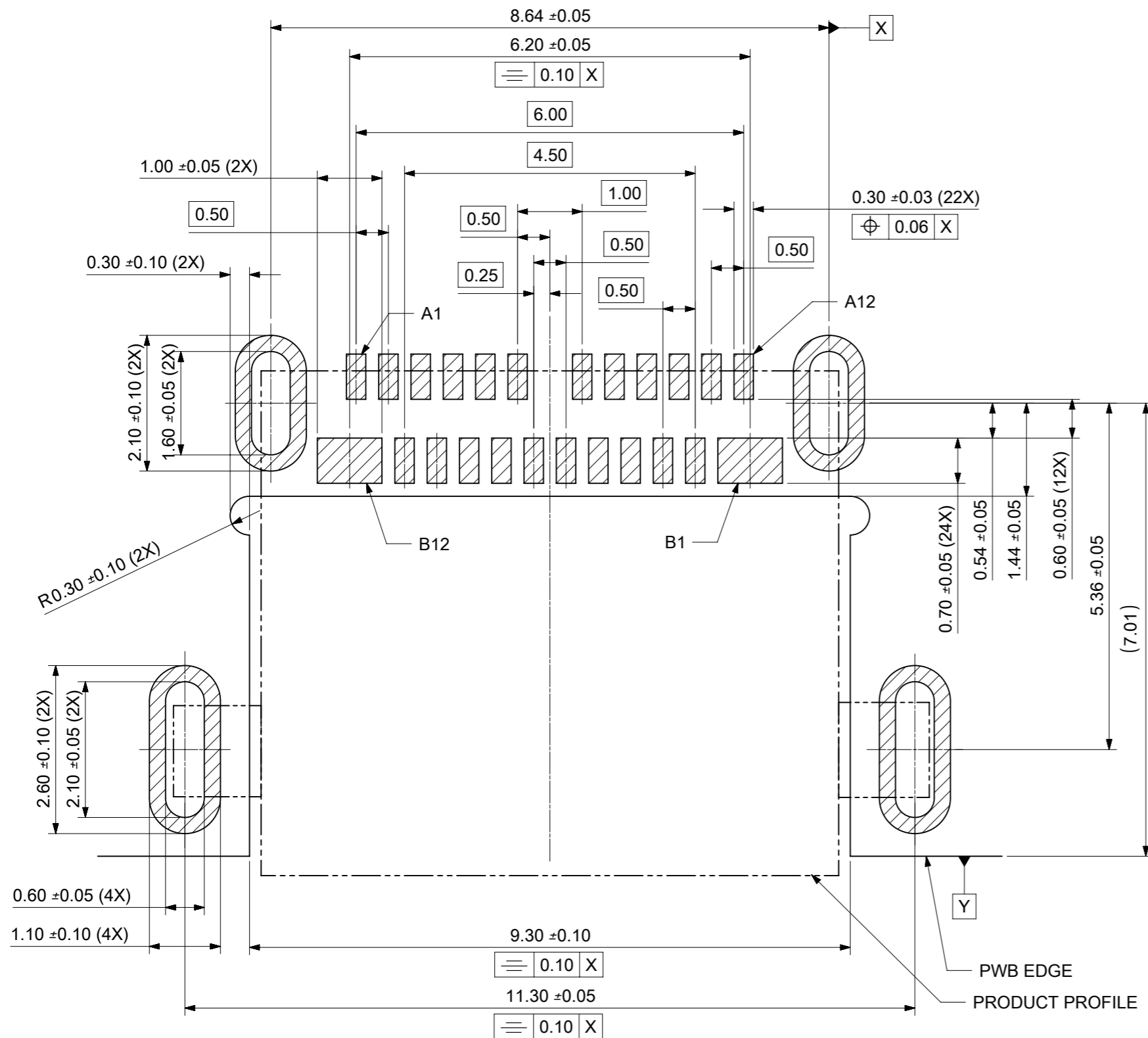


PART NO.	L
1054550101	0.70
1054550102	0.50

PENDING APPROVAL

THIS DRAWING CONTAINS INFORMATION THAT IS PROPRIETARY TO MOLEX ELECTRONIC TECHNOLOGIES, LLC AND SHOULD NOT BE USED WITHOUT WRITTEN PERMISSION		CURRENT REV DESC:		<b>molex</b>	
DIMENSION UNITS	SCALE	EC NO: 600596			
mm	8:1	DRWN: RZHANG 2018/03/30		USB TYPE C REC MIDDLE MOUNT TYPE	
GENERAL TOLERANCES (UNLESS SPECIFIED)		CHK'D:		PRODUCT CUSTOMER DRAWING	
ANGULAR TOL ± 3.0°		APPR:		DOCUMENT NUMBER	
4 PLACES ±		INITIAL REVISION:		DOC TYPE	
3 PLACES ±		DRWN: RZHANG 2015/11/05		DOC PART	
2 PLACES ± 0.2		APPR: RZHANG 2017/04/11		REVISION	
1 PLACE ± 0.2		SERIES		SD-105455-001	
0 PLACES ±		MATERIAL NUMBER		PSD 001 A2	
DRAFT WHERE APPLICABLE MUST REMAIN WITHIN DIMENSIONS		THIRD ANGLE PROJECTION	DRAWING	CUSTOMER	SHEET NUMBER
			A3-SIZE	GENERAL MARKET	1 OF 2

DOCUMENT STATUS	RQ	RELEASE DATE
-----------------	----	--------------



- NOTES:
- MATERIAL,  
HOUSING: HIGH TEMPERATURE THERMAL PLASTIC ,  
30% GLASS FILLED, BLACK, UL94V-0.  
TERMINAL: COPPER ALLOY  
SHELL: STAINLESS STEEL  
INNER SHELL: STAINLESS STEEL  
MIDDLE BLADE: STAINLESS STEEL
  - PLATING:  
TERMINAL: CONTACT AREA: GOLD FLASH (0.05 MIN.)  
OVER 0.75 MICROMETER MIN. PALLADIUM/NICKEL PLATING  
SOLDER TAIL: 0.05 MICROMETER MIN. GOLD PLATING  
UNDER PLATING: 1.5 MICROMETER MIN. NICKEL PLATING OVERALL  
SHELL: 1.5 MICRON MIN. SOLDERABLE NICKEL PLATING OVERALL  
INNER SHELL: CLEANING  
MIDDLE BLADE: GOLD FLASH PLATING ON THE SOLDER TAIL  
AND 1 MICROMETER NICKEL PLATING OVERALL
  - PRODUCT SPEC REFER TO PS-105448-001
  - PACKAGE SPEC REFER TO PK-105455-001
  - COPLANARITY OF SMT PINS SOLDER TAIL IS 0.10 MAX.  
BEFORE AND AFTER REFLOW
  - T/H SOLDER TAIL POSITION BE CONTROLLED BY GAUGE
  - PRODUCT COMPLANT TO ROHS DIERTIVE 2011/65/EU  
AND ELV DIRECTIVE 2000/53/EC

RECOMMENDED PWB LAYOUT

PIN ASSIGNMENT												BLADE	SHELL
A1	A2	A3	A4	A5	A6	A7	A8	A9	A10	A11	A12	GND	GND
GND	TX1+	TX1-	VBUS	CC1	D+	D-	SBU1	VBUS	RX2-	RX2+	GND		
GND	RX1+	RX1-	VBUS	SBU2	D-	D+	CC2	VBUS	TX2-	TX2+	GND	GND	GND
B12	B11	B10	B9	B8	B7	B6	B5	B4	B3	B2	B1		

THIS DRAWING CONTAINS INFORMATION THAT IS PROPRIETARY TO MOLEX ELECTRONIC TECHNOLOGIES, LLC AND SHOULD NOT BE USED WITHOUT WRITTEN PERMISSION											
DIMENSION UNITS	SCALE	CURRENT REV DESC:									
mm	12:1	<b>molex</b> USB TYPE C REC MIDDLE MOUNT TYPE									
GENERAL TOLERANCES (UNLESS SPECIFIED)											
ANGULAR TOL	± 3.0°	EC NO: 600596 DRWN: RZHANG 2018/03/30 CHK'D: APPR:									
4 PLACES	±	INITIAL REVISION: DRWN: RZHANG 2015/11/05 APPR: RZHANG 2017/04/11									
3 PLACES	±	PRODUCT CUSTOMER DRAWING DOCUMENT NUMBER: SD-105455-001 DOC TYPE: PSD DOC PART: 001 REVISION: A2									
2 PLACES	± 0.2	DRAFT WHERE APPLICABLE MUST REMAIN WITHIN DIMENSIONS									
1 PLACE	± 0.2	THIRD ANGLE PROJECTION DRAWING: A3-SIZE SERIES: 105455 MATERIAL NUMBER: GENERAL MARKET CUSTOMER: GENERAL MARKET SHEET NUMBER: 2 OF 2									
0 PLACES	±										