



Chipsmall Limited consists of a professional team with an average of over 10 year of expertise in the distribution of electronic components. Based in Hongkong, we have already established firm and mutual-benefit business relationships with customers from,Europe,America and south Asia,supplying obsolete and hard-to-find components to meet their specific needs.

With the principle of “Quality Parts,Customers Priority,Honest Operation,and Considerate Service”,our business mainly focus on the distribution of electronic components. Line cards we deal with include Microchip,ALPS,ROHM,Xilinx,Pulse,ON,Everlight and Freescale. Main products comprise IC,Modules,Potentiometer,IC Socket,Relay,Connector.Our parts cover such applications as commercial,industrial, and automotives areas.

We are looking forward to setting up business relationship with you and hope to provide you with the best service and solution. Let us make a better world for our industry!




Contact us

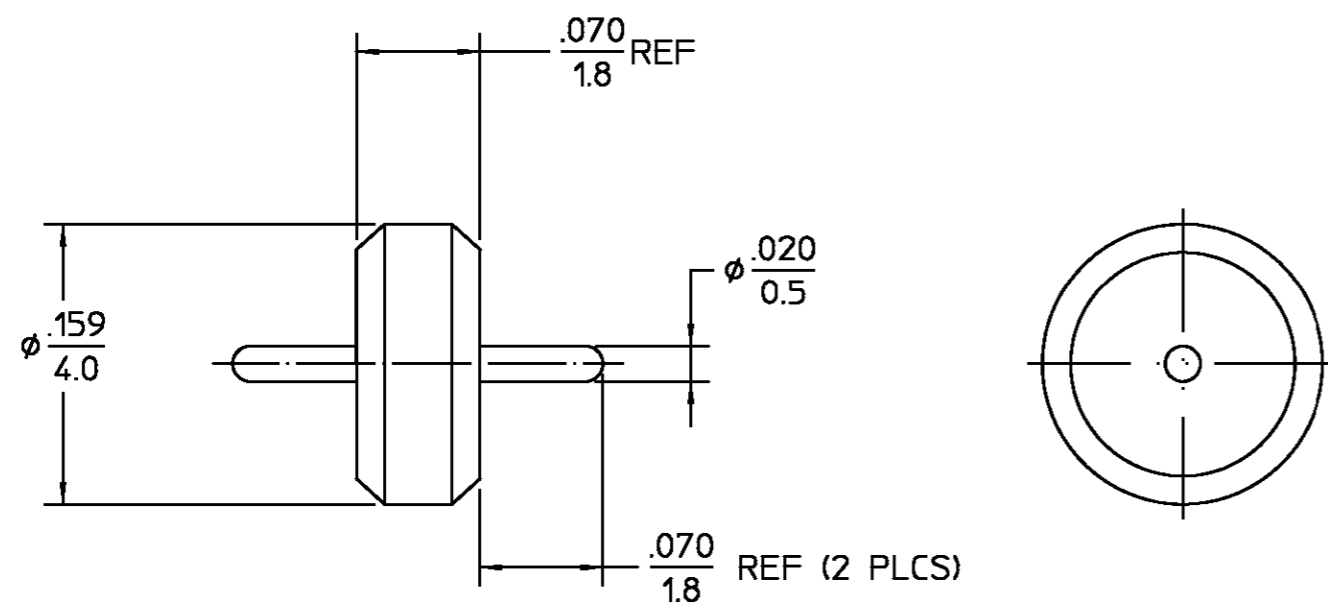
Tel: +86-755-8981 8866 Fax: +86-755-8427 6832


Email & Skype: info@chipsmall.com Web: www.chipsmall.com

Address: A1208, Overseas Decoration Building, #122 Zhenhua RD., Futian, Shenzhen, China



REVISIONS			
REV	DESCRIPTION	DATE	APPROVED
02 ₄	REVISED	M.G. 10-23-98	 11/17/98



CONTACT EXTENSION BUSHING	IRON-NICKEL ALLOY PER MIL-I-23011 CLASS 2	GOLD PLATE PER MIL-G-45204							
GLASS	CERAMIC GLASS	N/A							
COMPONENT	MATERIAL	FINISH							
UNLESS OTHERWISE SPECIFIED DIMENSIONS ARE IN INCHES	DRAWN BY GB	DATE 10-17-80							
	CHECKED BY KD	DATE 10-30-80							
FRAC. ± 1/64	DEC. ± .005	ANGLES ± 1°							
These drawings and specifications are the property of M/A COM Interconnect Div. and shall not be reproduced or copied or used in whole or in part as the basis for the manufacture or sale of item(s) without written permission.	USE ASSY PROCEDURE	 M/A-COM a Division of AMP Incorporated 140 Fourth Avenue Waltham, MA 02154-7577							
	NO. A.P. N/A		TITLE HERMETIC SEAL SUB-ASS'Y						
			<table border="1"> <tr> <td>SIZE B</td> <td>CODE IDENT NO. 26805</td> <td>2098-0294-00</td> <td>REV 02₄</td> </tr> <tr> <td>SCALE 10:1</td> <td colspan="2"></td> <td>SHEET 1 OF 1</td> </tr> </table>	SIZE B	CODE IDENT NO. 26805	2098-0294-00	REV 02 ₄	SCALE 10:1	
SIZE B	CODE IDENT NO. 26805	2098-0294-00	REV 02 ₄						
SCALE 10:1			SHEET 1 OF 1						