



Chipsmall Limited consists of a professional team with an average of over 10 year of expertise in the distribution of electronic components. Based in Hongkong, we have already established firm and mutual-benefit business relationships with customers from,Europe,America and south Asia,supplying obsolete and hard-to-find components to meet their specific needs.

With the principle of "Quality Parts,Customers Priority,Honest Operation,and Considerate Service",our business mainly focus on the distribution of electronic components. Line cards we deal with include Microchip,ALPS,ROHM,Xilinx,Pulse,ON,Everlight and Freescale. Main products comprise IC,Modules,Potentiometer,IC Socket,Relay,Connector.Our parts cover such applications as commercial,industrial, and automotives areas.

We are looking forward to setting up business relationship with you and hope to provide you with the best service and solution. Let us make a better world for our industry!



## Contact us

Tel: +86-755-8981 8866 Fax: +86-755-8427 6832

Email & Skype: info@chipsmall.com Web: www.chipsmall.com

Address: A1208, Overseas Decoration Building, #122 Zhenhua RD., Futian, Shenzhen, China



4

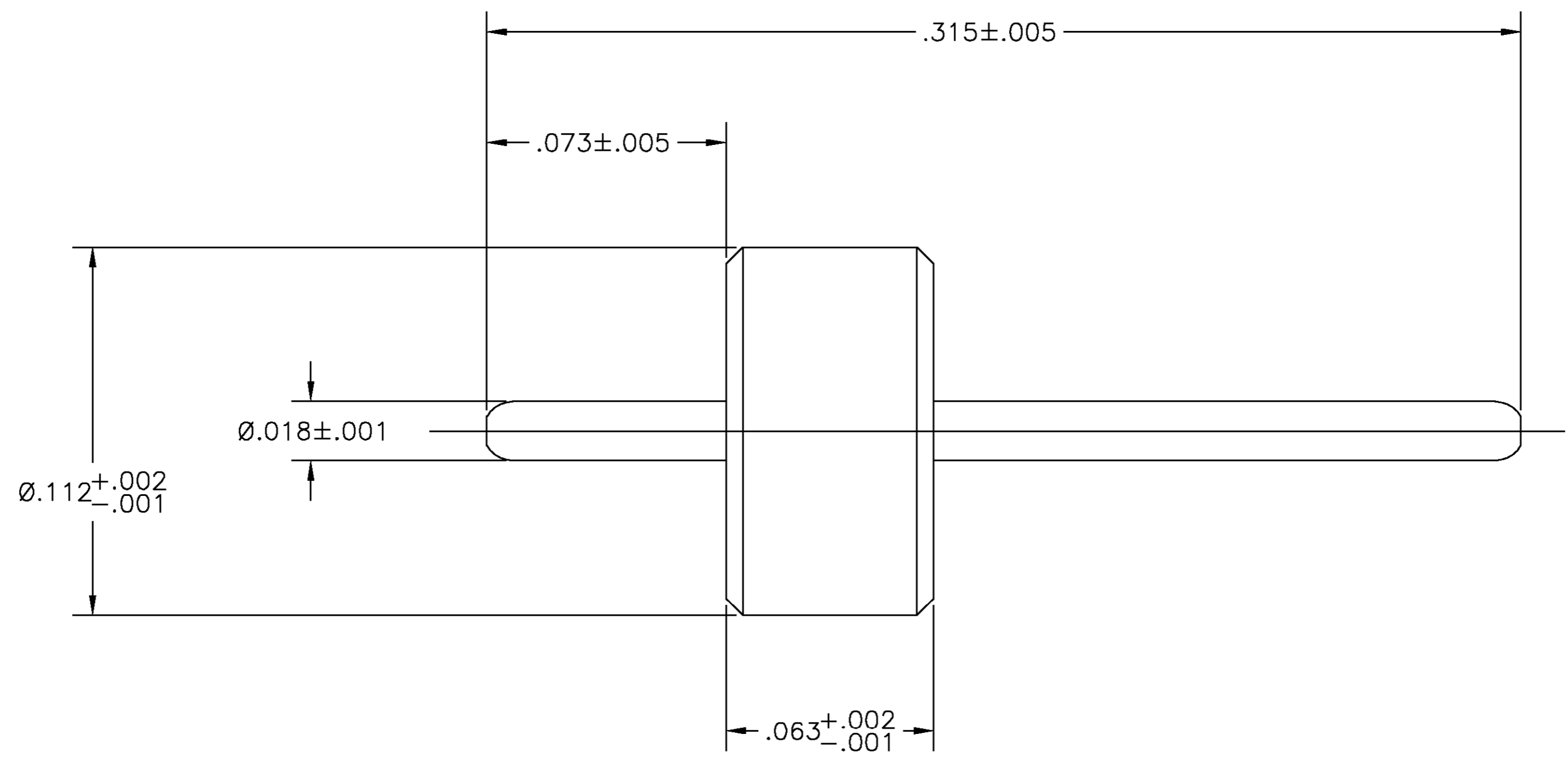
3

2

1

THIS DRAWING IS UNPUBLISHED. RELEASED FOR PUBLICATION SEPT, 2001.  
 © COPYRIGHT 2001 BY TYCO ELECTRONICS CORPORATION. ALL RIGHTS RESERVED.

LOC		DIST		REVISIONS			
HC	00	P	LTR	DESCRIPTION	DATE	DWN	APVD
		0		RELEASED	19SEP01	CMH	CMH



1055331-1  
 PART NUMBER

BUSHING PIN	IRON-NICKEL-COBALT ALLOY (KOVAR)	GOLD PLATE
BEAD	GLASS	N/A
COMPONENT	MATERIAL	FINISH

THIS DRAWING IS A CONTROLLED DOCUMENT.		DWR CHRIS HOANG 19SEP01	Tyco Electronics Corporation Norwood, MA, 02062-5702	
DIMENSIONS: INCHES		CHK CHRIS HOANG 19SEP01	NAME HERMETIC SEAL SUB-ASSY (2098-3251-94)	
TOLERANCES UNLESS OTHERWISE SPECIFIED: 0 PLC ± - 1 PLC ± - 2 PLC ± - 3 PLC ± - 4 PLC ± - ANGLES ± 1'		APVD DCAM 19SEP01	RESTRICTED TO	
MATERIAL -	FINISH GOLD	PRODUCT SPEC -	APPLICATION SPEC -	SCALE 30:1
		WEIGHT -	SIZE A2	CAGE CODE 00779
		DRAWING NO 1055331		SHEET 1 OF 1
		CUSTOMER DRAWING		REV 0

1055331  
 B

A