



Chipsmall Limited consists of a professional team with an average of over 10 year of expertise in the distribution of electronic components. Based in Hongkong, we have already established firm and mutual-benefit business relationships with customers from,Europe,America and south Asia,supplying obsolete and hard-to-find components to meet their specific needs.

With the principle of “Quality Parts,Customers Priority,Honest Operation,and Considerate Service”,our business mainly focus on the distribution of electronic components. Line cards we deal with include Microchip,ALPS,ROHM,Xilinx,Pulse,ON,Everlight and Freescale. Main products comprise IC,Modules,Potentiometer,IC Socket,Relay,Connector.Our parts cover such applications as commercial,industrial, and automotives areas.

We are looking forward to setting up business relationship with you and hope to provide you with the best service and solution. Let us make a better world for our industry!



Contact us

Tel: +86-755-8981 8866 Fax: +86-755-8427 6832

Email & Skype: info@chipsmall.com Web: www.chipsmall.com

Address: A1208, Overseas Decoration Building, #122 Zhenhua RD., Futian, Shenzhen, China



4

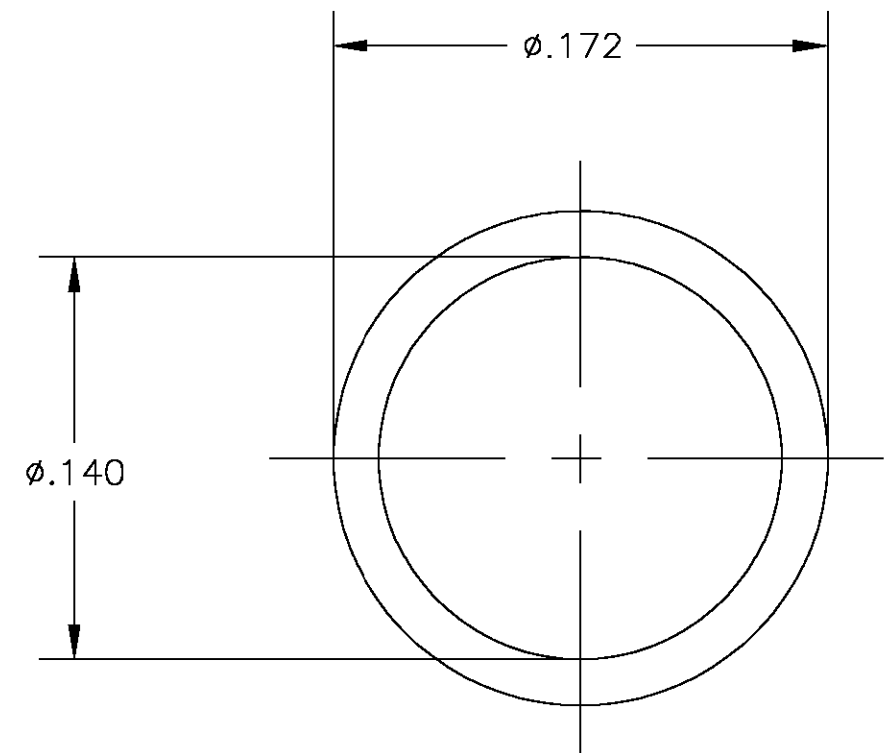
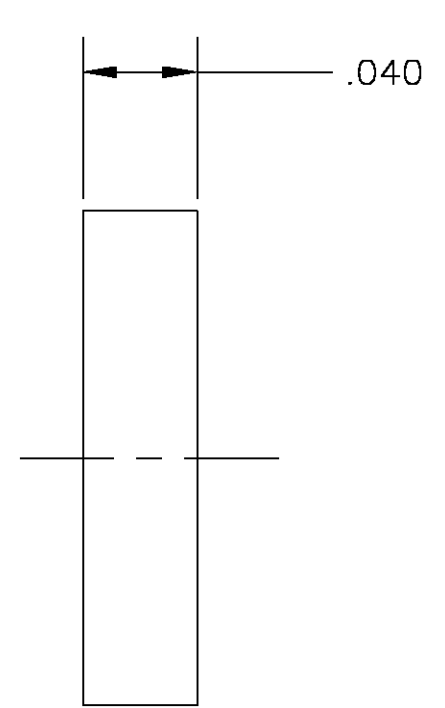
3

2

1

THIS DRAWING IS UNPUBLISHED. RELEASED FOR PUBLICATION
 © COPYRIGHT BY TYCO ELECTRONICS CORPORATION. ALL RIGHTS RESERVED.

LOC	DIST	REVISIONS			
P	LTR	DESCRIPTION	DATE	DWN	APVD
HC	00	A	RELEASE	2/4/03	DCam



NOTE:
 1. MATERIAL: CONDUCTIVE ELASTOMERS PER MIL-G-83528

1055344-1
 PART NO

THIS DRAWING IS A CONTROLLED DOCUMENT.		DWN DCam	04FEB2003	tyco Electronics		Tyco Electronics Corporation Norwood, MA 02062	
DIMENSIONS: INCHES		CHK	-	APVD DCam		2/4/03	
TOLERANCES UNLESS OTHERWISE SPECIFIED:		PRODUCT SPEC		NAME GASKET (2098-3333-54)			
0 PLC ± - 1 PLC ± - 2 PLC ± - 3 PLC ± .005 4 PLC ± - ANGLES ± 1		APPLICATION SPEC		SIZE		CAGE CODE	DRAWING NO
MATERIAL		WEIGHT		A3		00779	©-1055344
FINISH		CUSTOMER DRAWING		SCALE		SHEET	REV
				15:1		1 OF 1	A