



Chipsmall Limited consists of a professional team with an average of over 10 year of expertise in the distribution of electronic components. Based in Hongkong, we have already established firm and mutual-benefit business relationships with customers from,Europe,America and south Asia,supplying obsolete and hard-to-find components to meet their specific needs.

With the principle of "Quality Parts,Customers Priority,Honest Operation,and Considerate Service",our business mainly focus on the distribution of electronic components. Line cards we deal with include Microchip,ALPS,ROHM,Xilinx,Pulse,ON,Everlight and Freescale. Main products comprise IC,Modules,Potentiometer,IC Socket,Relay,Connector.Our parts cover such applications as commercial,industrial, and automotives areas.

We are looking forward to setting up business relationship with you and hope to provide you with the best service and solution. Let us make a better world for our industry!



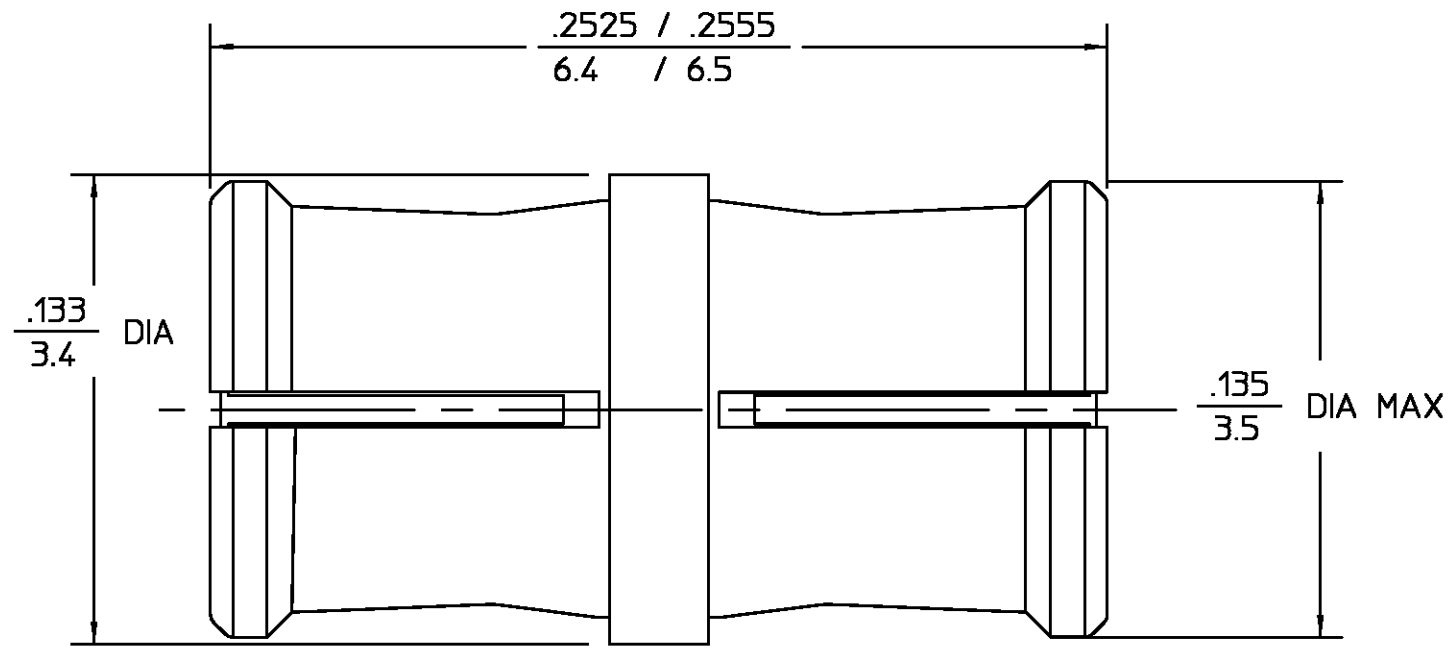
Contact us

Tel: +86-755-8981 8866 Fax: +86-755-8427 6832

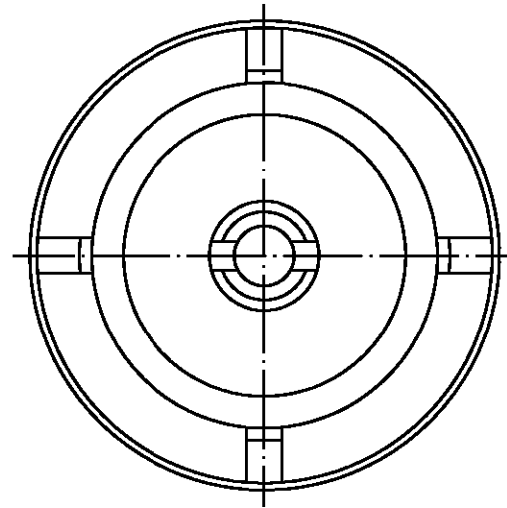
Email & Skype: info@chipsmall.com Web: www.chipsmall.com

Address: A1208, Overseas Decoration Building, #122 Zhenhua RD., Futian, Shenzhen, China





REVISIONS			
REV	DESCRIPTION	DATE	APPROVED
05 ₃	REVISED	T.W. 12-19-95	DCpm 12/21/95



NOTE:

* SPECIFICATIONS SHOWN DERIVED FROM CONNECTOR/SHROUD ASSEMBLIES

ELECTRICAL	MECHANICAL	ENVIRONMENTAL
Nominal Impedance (Ohms) <u>50 ±1</u>	Force to Engage (Lbs MAX)	Temperature Rating <u>-65° to +165°C</u>
Frequency Range (GHz) <u>DC to 40GHz</u>	Full Detent <u>10.0</u>	Vibration MIL-STD-202, Method 204, Condition D
*Volt Rating (VRMS MAX) <u>335</u>	Half Detent <u>5.0</u>	Thermal Shock MIL-STD-202, Method 213, Condition I
② Sea Level	Smooth Bore <u>2.0</u>	Corrosion - MIL-STD-202, Method 101, Condition B
*VSWR <u>1.10:1 MAX dc-23.0 GHz</u>	Disengage (Lbs MIN)	Moisture Resistance - MIL-STD-202 Method 106, except step 7b shall be omitted. Resistance shall be 200 megohms within 5 min. after removal from humidity.
<u>1.15:1 MAX 23.0 - 26.0 GHz</u>	Full Detent <u>2.0</u>	
<u>1.40:1 MAX 26.0 - 40.0 GHz</u>	Half Detent <u>1.5</u>	
RF Leakage (dB MAX) <u>-80 to 3GHz, -65 from 3 to 26.5 GHz</u>	Smooth Bore <u>0.5</u>	
*Insertion Loss (dB MAX) <u>.010 √f (GHz)</u>	Center Contact Retention (LBs MIN) <u>15</u>	
Corona, 70,000 Ft (VRMS MIN) <u>190</u>		
*Dielectric Withstanding Voltage (VRMS MIN) ② Sea Level <u>500</u>		
Contact Resistance (Milliohms MAX)		
Center Contact (Mated Pair) <u>6.0</u>		
Outer Contact <u>2.0</u>		
*RF High Potential ② Sea Level (VRMS MIN ② 5 MHz) <u>325</u>		
I.R. (Megohms MIN) <u>5,000</u>		

COMPONENT	MATERIAL	FINISH
HOUSING CONTACT	BERYLLIUM COPPER PER ASTM-B196, ALLOY C17300, CONDITION H	GOLD PLATE PER MIL-G-45204
DIELECTRIC	TFE FLUOROCARBON PER ASTM-D-1457	N/A

UNLESS OTHERWISE SPECIFIED DIMENSIONS ARE IN INCHES TOLERANCE ON	DRAWN BY <u>pm</u> DATE <u>04-17-92</u>	AMP Incorporated 140 Fourth Avenue Waltham, MA 02451-7599
FRAC. DEC. ANGLES ± 1/64 ±.005 ± °	CHECKED BY <u>[Signature]</u>	
	APPD BY <u>[Signature]</u> DATE <u>4/20/92</u>	
These drawings and specifications are the property of Omni Spectra Incorporated and shall not be reproduced or copied or used in whole or in part as the basis for the manufacture or sale of item(s) without written permission.	USE ASS'Y PROCEDURE	TITLE <u>OSMP JACK TO JACK ADAPTER</u>
	NO. AP. <u>N/A</u>	SIZE <u>B</u> CODE IDENT NO. <u>26805</u> 2980-0000-62 REV <u>05₃</u>
		SCALE <u>20 : 1</u> SHEET <u>1 OF 1</u>

CUSTOMER DRAWING

AMP PART # 1056700-1
SHEET 1 OF 1 REV A