



Chipsmall Limited consists of a professional team with an average of over 10 year of expertise in the distribution of electronic components. Based in Hongkong, we have already established firm and mutual-benefit business relationships with customers from,Europe,America and south Asia,supplying obsolete and hard-to-find components to meet their specific needs.

With the principle of “Quality Parts,Customers Priority,Honest Operation,and Considerate Service”,our business mainly focus on the distribution of electronic components. Line cards we deal with include Microchip,ALPS,ROHM,Xilinx,Pulse,ON,Everlight and Freescale. Main products comprise IC,Modules,Potentiometer,IC Socket,Relay,Connector.Our parts cover such applications as commercial,industrial, and automotives areas.

We are looking forward to setting up business relationship with you and hope to provide you with the best service and solution. Let us make a better world for our industry!



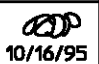
## Contact us

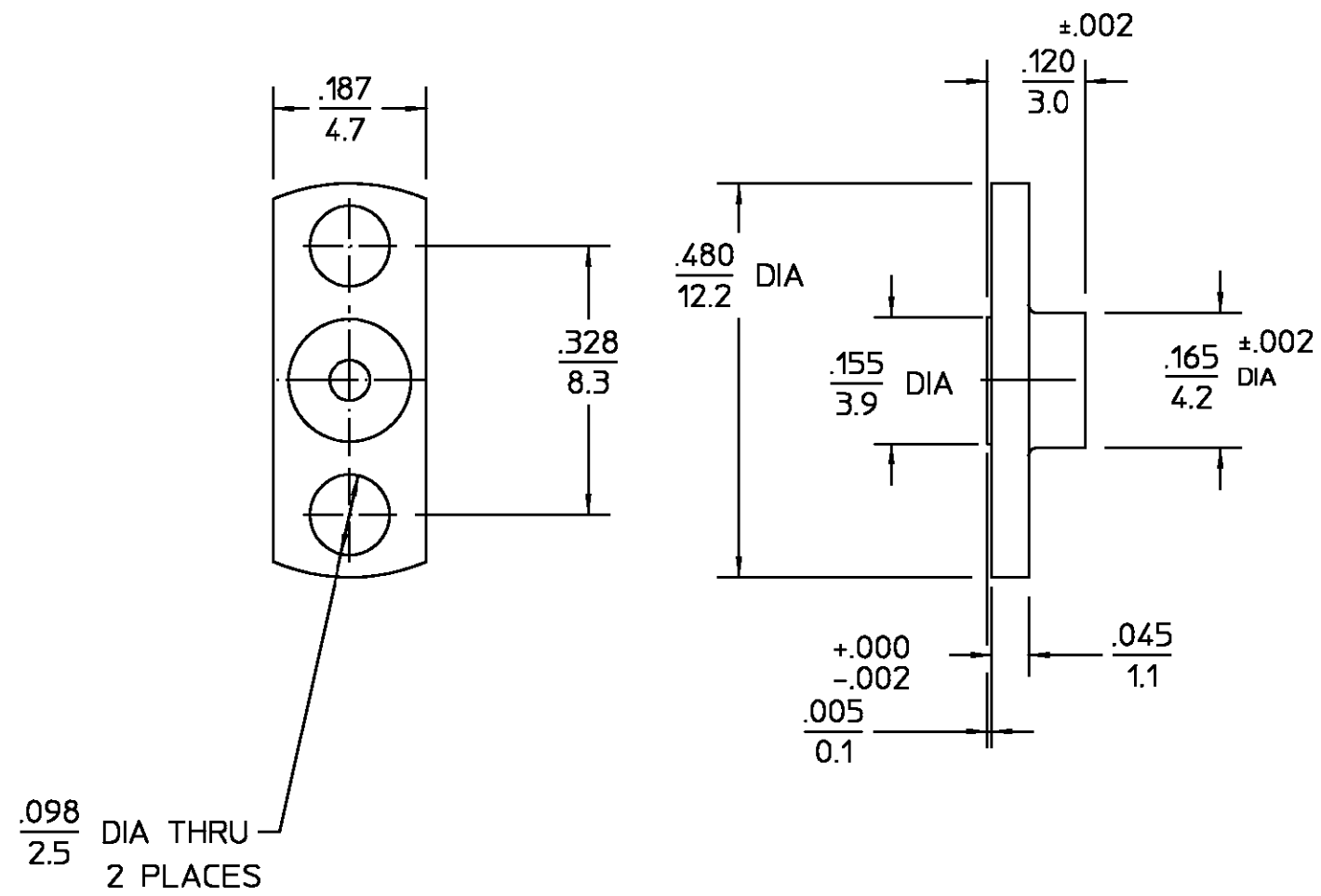
Tel: +86-755-8981 8866 Fax: +86-755-8427 6832

Email & Skype: info@chipsmall.com Web: www.chipsmall.com

Address: A1208, Overseas Decoration Building, #122 Zhenhua RD., Futian, Shenzhen, China



REVISIONS			
REV	DESCRIPTION	DATE	APPROVED
03 <sub>0</sub>	REVISED	10/16/95	



SHROUD	STAINLESS STEEL PER ASTM-A484 AND ASTM-A582, TYPE 303	PASSIVATE PER QQ-P-35															
COMPONENT	MATERIAL	FINISH															
UNLESS OTHERWISE SPECIFIED DIMENSIONS ARE IN INCHES TOLERANCE ON FRAC. DEC. ANGLES ± 1/64 ±.005 ± °	DRAWN BY: <i>P. Downs</i> DATE: 4/20/92	AMP Incorporated 140 Fourth Avenue Waltham, MA 02451-7599															
	CHECKED BY: <i>M.M.</i> DATE: 4/20/92																
These drawings and specifications are the property of M/A-COM Incorporated and shall not be reproduced or copied or used in whole or in part as the basis for the manufacture or sale of item(s) without written permission.	APPD BY: <i>RAC</i> DATE: 4/21/92	<table border="1"> <tr> <td colspan="2">TITLE</td> <td>REV</td> </tr> <tr> <td colspan="2">OSMP SHROUD FULL DETENT</td> <td>03<sub>0</sub></td> </tr> <tr> <td>SIZE</td> <td>CODE IDENT NO.</td> <td></td> </tr> <tr> <td>B</td> <td>26805</td> <td>2998-5001-02</td> </tr> <tr> <td>SCALE</td> <td>5:1</td> <td>SHEET 1 OF 1</td> </tr> </table>	TITLE		REV	OSMP SHROUD FULL DETENT		03 <sub>0</sub>	SIZE	CODE IDENT NO.		B	26805	2998-5001-02	SCALE	5:1	SHEET 1 OF 1
	TITLE		REV														
	OSMP SHROUD FULL DETENT		03 <sub>0</sub>														
SIZE	CODE IDENT NO.																
B	26805	2998-5001-02															
SCALE	5:1	SHEET 1 OF 1															
USE ASS'Y PROCEDURE	NO. AP. 408-04752 (29-006)																

.XXX = in  
XX.X = mm