



Chipsmall Limited consists of a professional team with an average of over 10 year of expertise in the distribution of electronic components. Based in Hongkong, we have already established firm and mutual-benefit business relationships with customers from,Europe,America and south Asia,supplying obsolete and hard-to-find components to meet their specific needs.

With the principle of “Quality Parts,Customers Priority,Honest Operation,and Considerate Service”,our business mainly focus on the distribution of electronic components. Line cards we deal with include Microchip,ALPS,ROHM,Xilinx,Pulse,ON,Everlight and Freescale. Main products comprise IC,Modules,Potentiometer,IC Socket,Relay,Connector.Our parts cover such applications as commercial,industrial, and automotives areas.

We are looking forward to setting up business relationship with you and hope to provide you with the best service and solution. Let us make a better world for our industry!



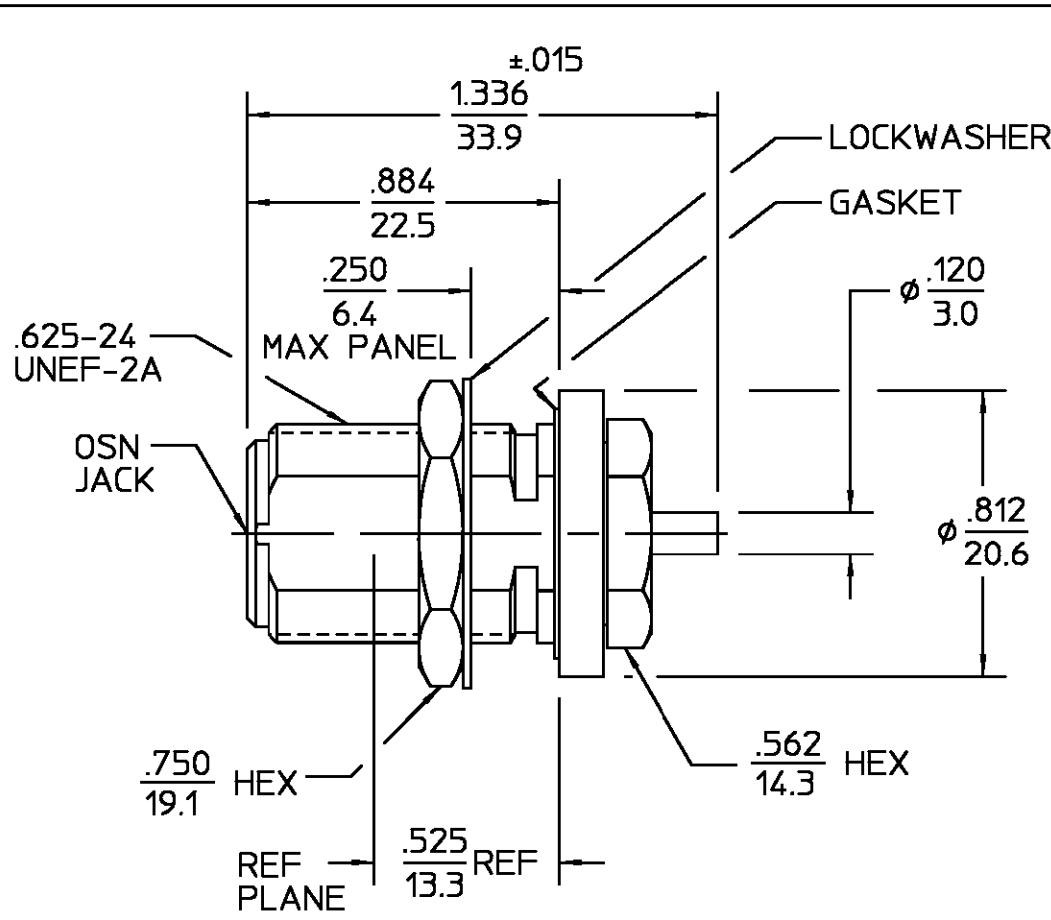
Contact us

Tel: +86-755-8981 8866 Fax: +86-755-8427 6832

Email & Skype: info@chipsmall.com Web: www.chipsmall.com

Address: A1208, Overseas Decoration Building, #122 Zhenhua RD., Futian, Shenzhen, China





DESIGNED FOR USE WITH .085 S/R CABLE	
CABLE ENTRY DIAMETER MINIMUM	
HOUSING	.089
CONTACT	.023

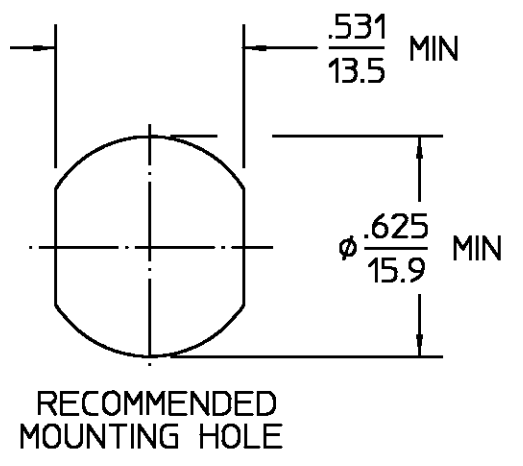
REVISIONS			
REV	DESCRIPTION	DATE	APPROVED
042	REVISED	KYLE 5-19-97	<i>Com</i> 5/20/97
B	PER EC 0U20-0692-00	9/24/01	<i>C. H. Hoang</i> 9/24/01

ELECTRICAL
Nominal Impedance (Ohms) <u>50</u>
Frequency Range (GHz) DC to <u>18</u>
Volt Rating (VRMS MAX) @ Sea Level <u>335</u>
VSWR <u>1.10+0.1f(GHz)</u>
Insertion Loss (dB MAX) <u>.06 √f(GHz)</u>
RF Leakage (dB MIN) <u>-[90-f(GHz)]</u>
Corona, 70,000 Ft (VRMS MIN) <u>250</u>
Dielectric Withstanding Voltage (VRMS MIN) @ Sea Level <u>1000</u>
Contact Resistance (Milliohms MAX)
Center Contact <u>1.5</u>
Outer Contact <u>2.0</u>
Cable to Housing <u>0.5</u>
RF High Potential @ Sea Level (VRMS MIN @ 5 MHz) <u>670</u>
IR.(Megohms MIN) <u>5000</u>

MECHANICAL
Interface Dimensions MIL-STD-348A, Fig. <u>304.2</u>
Recommended Mating Torque <u>N/A</u>
Mating Characteristics:
Insertion (MAX Lbs) <u>2.0</u>
Withdrawal (MIN Oz) <u>2.0</u>
Force to Engage and Disengage (In-Lbs MAX) <u>6.0</u>
Center Contact Captivation Axial (Lbs) <u>N/A</u>
Radial (In-Oz) <u>N/A</u>
Cable Retention Axial Force (Lbs) <u>30 MIN</u>
Torque (In-Oz) <u>16 MIN</u>
Weight (Grams) <u>TBD</u>

ENVIRONMENTAL
Temperature Rating <u>-65°C to +105°C</u>
Vibration MIL-STD-202, Method 204, Condition B
Shock MIL-STD-202, Method 213, Condition I
Thermal Shock MIL-STD-202, Method 107, Condition B, Except High Temp 105°C
Moisture Resistance MIL-STD-202, Method 106
Corrosion - MIL-STD-202, Method 101, Condition B, 5% salt spray

.XXX = in
XX.X = mm (REF)



COMPONENT	MATERIAL	FINISH
HOUSING	BRASS PER ASTM-B-16, HALF HARD	GOLD PLATE PER MIL-G-45204
HOUSING MOUNTING NUT LOCKWASHER	STAINLESS STEEL PER ASTM-A484 AND ASTM- A582, TYPE 303	PASSIVATE PER QQ-P-35
DIELECTRIC	PTFE FLUOROCARBON PER ASTM-D-1457	N/A
CENTER CONTACT	BRASS PER ASTM-B-16, HALF HARD	GOLD PLATE PER MIL-G-45204
CONTACT EXT.	BERYLLIUM COPPER PER ASTM-B-196 OR ASTM-B-197, ALLOY C17300, CONDITION H	GOLD PLATE PER MIL-G-45204
GASKET 'O' RING	SILICONE RUBBER PER ZZ-R-765	N/A

UNLESS OTHERWISE SPECIFIED DIMENSIONS ARE IN INCHES TOLERANCE ON FRAC. DEC. ANGLES ± 1/64 ±.005 ± °	DRAWN BY	DATE		AMP Incorporated		
	CHECKED BY	3/23/71		140 Fourth Avenue		
APPD BY	PRB	3/25/71		Waltham, MA 02451-7599		
These drawings and specifications are the property of M/A-COM Incorporated and shall not be reproduced or copied or used in whole or in part as the basis for the manufacture or sale of item(s) without written permission.	USE ASS'Y PROCEDURE	NO. AP. 408-04744 (30-006)	TITLE OSN BULKHEAD FEEDTHROUGH CABLE JACK-DIRECT SOLDER ATTACHMENT		REV	
	SIZE	CODE IDENT NO.	3004-7985-00	042		
	B	26805				
SCALE	2:1	SHEET 1 OF 1				