



Chipsmall Limited consists of a professional team with an average of over 10 year of expertise in the distribution of electronic components. Based in Hongkong, we have already established firm and mutual-benefit business relationships with customers from,Europe,America and south Asia,supplying obsolete and hard-to-find components to meet their specific needs.

With the principle of “Quality Parts,Customers Priority,Honest Operation,and Considerate Service”,our business mainly focus on the distribution of electronic components. Line cards we deal with include Microchip,ALPS,ROHM,Xilinx,Pulse,ON,Everlight and Freescale. Main products comprise IC,Modules,Potentiometer,IC Socket,Relay,Connector.Our parts cover such applications as commercial,industrial, and automotives areas.

We are looking forward to setting up business relationship with you and hope to provide you with the best service and solution. Let us make a better world for our industry!



Contact us

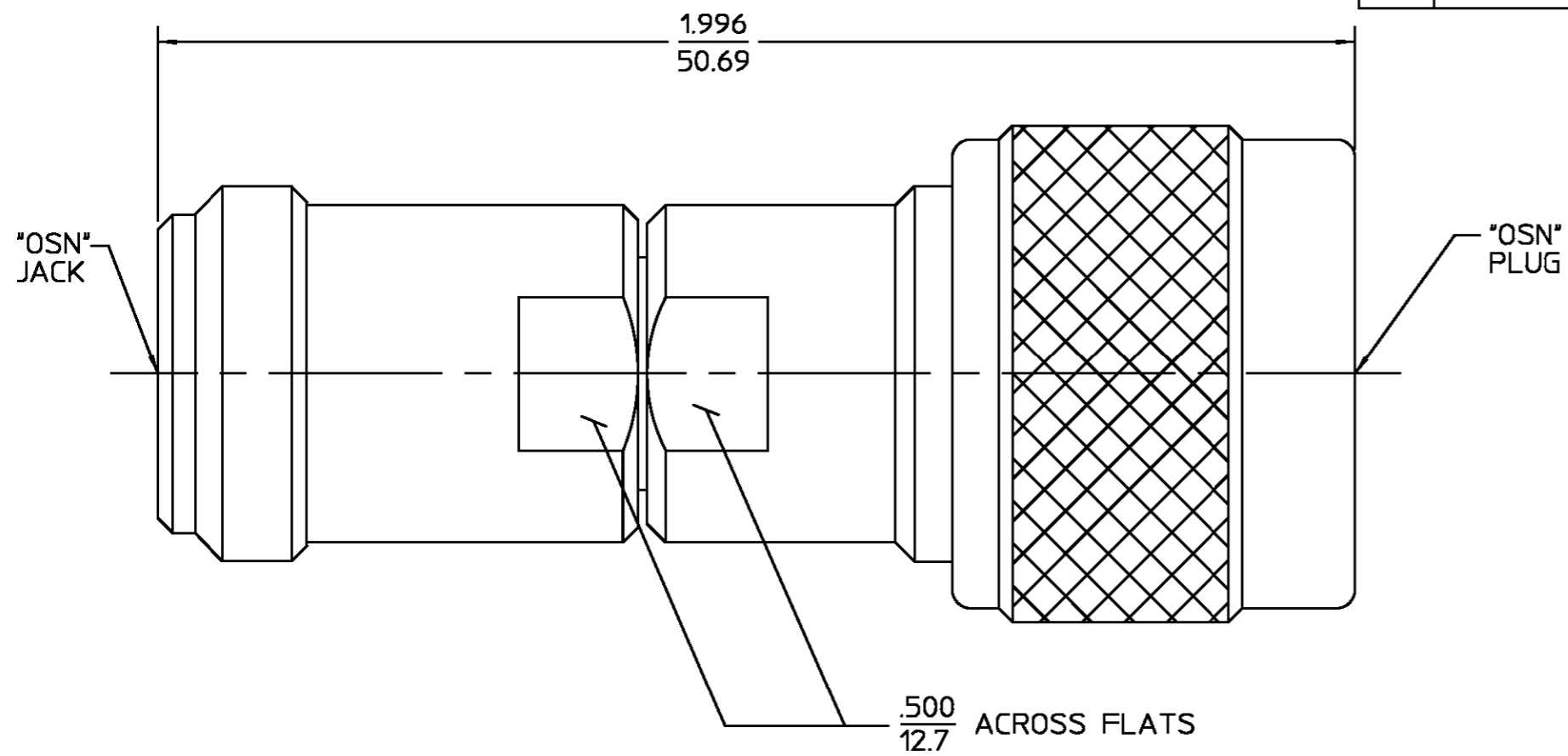
Tel: +86-755-8981 8866 Fax: +86-755-8427 6832

Email & Skype: info@chipsmall.com Web: www.chipsmall.com

Address: A1208, Overseas Decoration Building, #122 Zhenhua RD., Futian, Shenzhen, China



REVISIONS			
REV	DESCRIPTION	DATE	APPROVED
01 ₂	REVISED	K.LE 2/20/97	<i>[Signature]</i>



Frequency Range(GHz) DC TO 18.0
 VSWR: 1.10 + .01f(GHz)
 Insultation Resistance: 5,000
 Dielectric With Voltage(VRMS MIN): 1,500
 Contact Resistance: 4.1 Millohms Max
 Insertion Loss: $.07\sqrt{f(\text{GHz})}$
 Operating Temperature Range: -65 to +125°C

COMPONENT	MATERIAL	FINISH
HOUSING COUPLING NUT	STAINLESS STEEL PER ASTM-A484 AND ASTM-A582, TYPE 303	PASSIVATE PER QQ-P-35
DIELECTRIC	TFE FLUOROCARBON PER ASTM-D-1457	N/A
CENTER CONTACT	BERYLLIUM COPPER PER ASTM-B-196 OR ASTM-B-197, ALLOY C17300, CONDITION H	GOLD PLATE PER MIL-G-45204
CONTACT EXT. BUSHING	BRASS PER ASTM-B-16, HALF HARD	GOLD PLATE PER MIL-G-45204
RETAINING RING	PHOSPHOR BRONZE PER QQ-B-750, GRADE B2	N/A
GASKET	SILICONE RUBBER PER ZZ-R-765	N/A

UNLESS OTHERWISE SPECIFIED DIMENSIONS ARE IN INCHES		
FRAC.	DEC.	ANGLES
± 1/64	±.005	± 1°

These drawings and specifications are the property of M/A COM Interconnect Div. and shall not be reproduced or copied or used in whole or in part as the basis for the manufacture or sale of item(s) without written permission.

DRAWN BY	EJC	DATE	9-10-69
CHECKED BY	BWC	DATE	9-15-69
APPD BY	DN	DATE	9-15-69

AMP
 AMP Incorporated
 140 Fourth Avenue
 Waltham, MA 02451-7599

USE ASSY PROCEDURE
 NO. A.P. N/A

TITLE "OSN" JACK TO "OSN" PLUG ADAPTER			
SIZE	CODE IDENT NO.	REV	
B	26805	3082-0000-00	01 ₂
SCALE	4:1		SHEET 1 OF 1

CUSTOMER DRAWING

AMP PART # 1057374-1
 SHEET 1 OF 1 REV A