



Chipsmall Limited consists of a professional team with an average of over 10 year of expertise in the distribution of electronic components. Based in Hongkong, we have already established firm and mutual-benefit business relationships with customers from,Europe,America and south Asia,supplying obsolete and hard-to-find components to meet their specific needs.

With the principle of “Quality Parts,Customers Priority,Honest Operation,and Considerate Service”,our business mainly focus on the distribution of electronic components. Line cards we deal with include Microchip,ALPS,ROHM,Xilinx,Pulse,ON,Everlight and Freescale. Main products comprise IC,Modules,Potentiometer,IC Socket,Relay,Connector.Our parts cover such applications as commercial,industrial, and automotives areas.

We are looking forward to setting up business relationship with you and hope to provide you with the best service and solution. Let us make a better world for our industry!



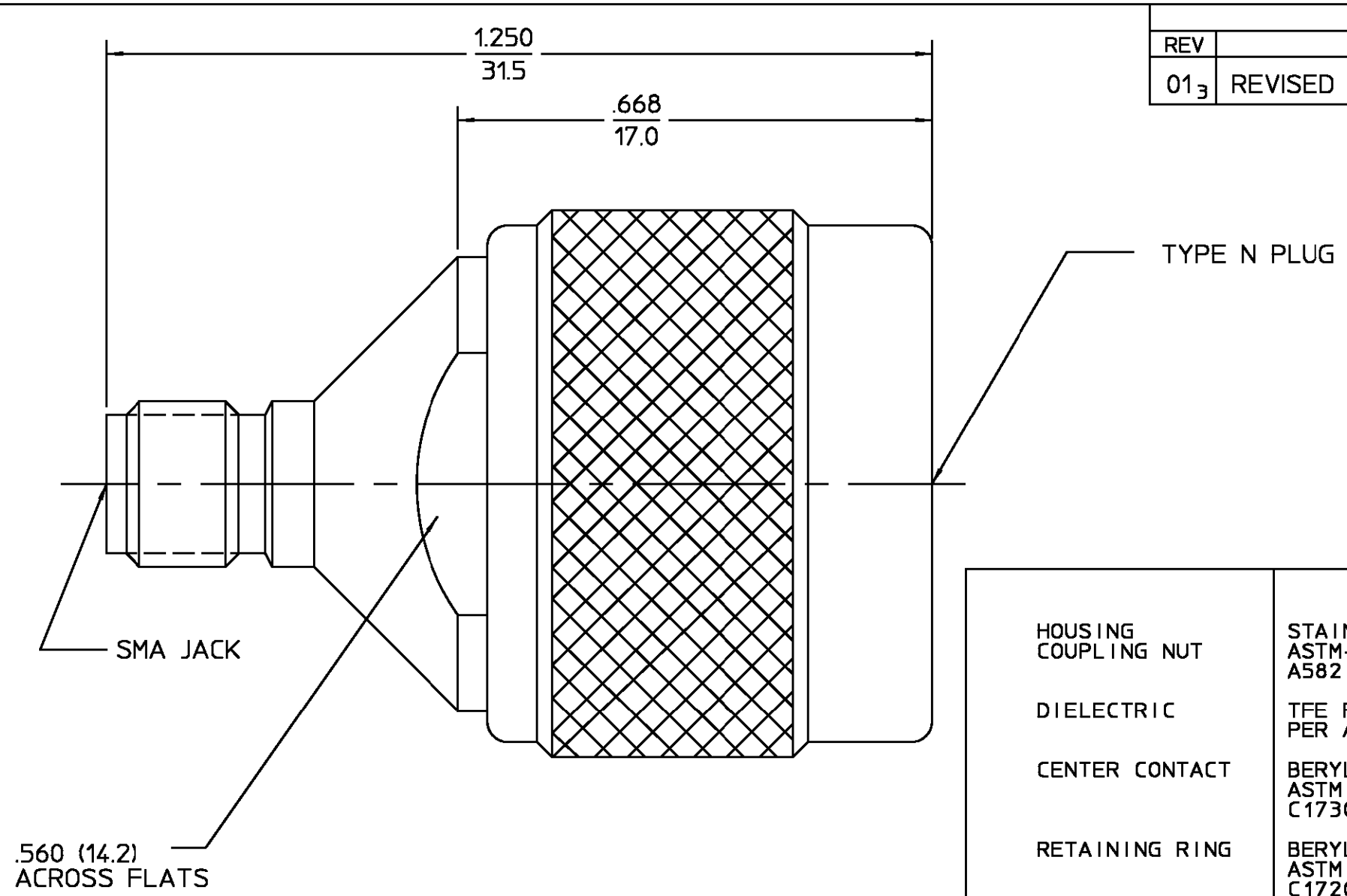
## Contact us

Tel: +86-755-8981 8866 Fax: +86-755-8427 6832

Email & Skype: info@chipsmall.com Web: www.chipsmall.com

Address: A1208, Overseas Decoration Building, #122 Zhenhua RD., Futian, Shenzhen, China





REVISIONS			
REV	DESCRIPTION	DATE	APPROVED
01 <sub>3</sub>	REVISED	DM 9/13/99	<i>DM</i> 9/20/99

HOUSING COUPLING NUT	STAINLESS STEEL PER ASTM-A484 AND ASTM- A582, TYPE 303	PASSIVATE PER ASTM-A380
DIELECTRIC	TFE FLUOROCARBON PER ASTM-D-1457	N/A
CENTER CONTACT	BERYLLIUM COPPER PER ASTM B 196, ALLOY C17300, CONDITION H	GOLD PLATE PER MIL-G-45204
RETAINING RING	BERYLLIUM COPPER PER ASTM B 194, ALLOY C17200, CONDITION H	N/A
GASKET	SILICONE RUBBER PER ZZ-R-765	N/A

COMPONENT	MATERIAL	FINISH
-----------	----------	--------

UNLESS OTHERWISE SPECIFIED DIMENSIONS ARE IN INCHES TOLERANCE ON FRAC. DEC. ANGLES ± 1/64 ± .005 ± 1°	DRAWN BY <b>RBG</b>	DATE <b>6/4/77</b>	<b>AMP Incorporated</b> 140 Fourth Avenue Waltham, MA 02451-7599
	CHECKED BY <b>KWW</b>	<b>6/4/77</b>	
	APPROVED BY <b>RMF</b>	<b>6/4/77</b>	

These drawings and specifications are the property of AMP Interconnect Division and shall not be reproduced or copied or used in whole or in part as the basis for the manufacture or sale of item(s) without written permission.	USE ASSY PROCEDURE	TITLE TYPE N PLUG TO SMA JACK ADAPTER		
	NO. A.P. _____	SIZE B	CODE IDENT NO. 26805	3082-2240-00
		SCALE 5:1		REV 01 <sub>3</sub>

- NOTES:
- CAPTURED CENTER CONTACT
  - VSWR: DC-12.4GHz :1.06+.005fGHz MAX  
12.4-18.0GHz : 0.83+.023fGHz MAX

CUSTOMER DRAWING

AMP PART # 1057377-1  
SHEET 1 OF 1 REV A