



Chipsmall Limited consists of a professional team with an average of over 10 year of expertise in the distribution of electronic components. Based in Hongkong, we have already established firm and mutual-benefit business relationships with customers from,Europe,America and south Asia,supplying obsolete and hard-to-find components to meet their specific needs.

With the principle of “Quality Parts,Customers Priority,Honest Operation,and Considerate Service”,our business mainly focus on the distribution of electronic components. Line cards we deal with include Microchip,ALPS,ROHM,Xilinx,Pulse,ON,Everlight and Freescale. Main products comprise IC,Modules,Potentiometer,IC Socket,Relay,Connector.Our parts cover such applications as commercial,industrial, and automotives areas.

We are looking forward to setting up business relationship with you and hope to provide you with the best service and solution. Let us make a better world for our industry!



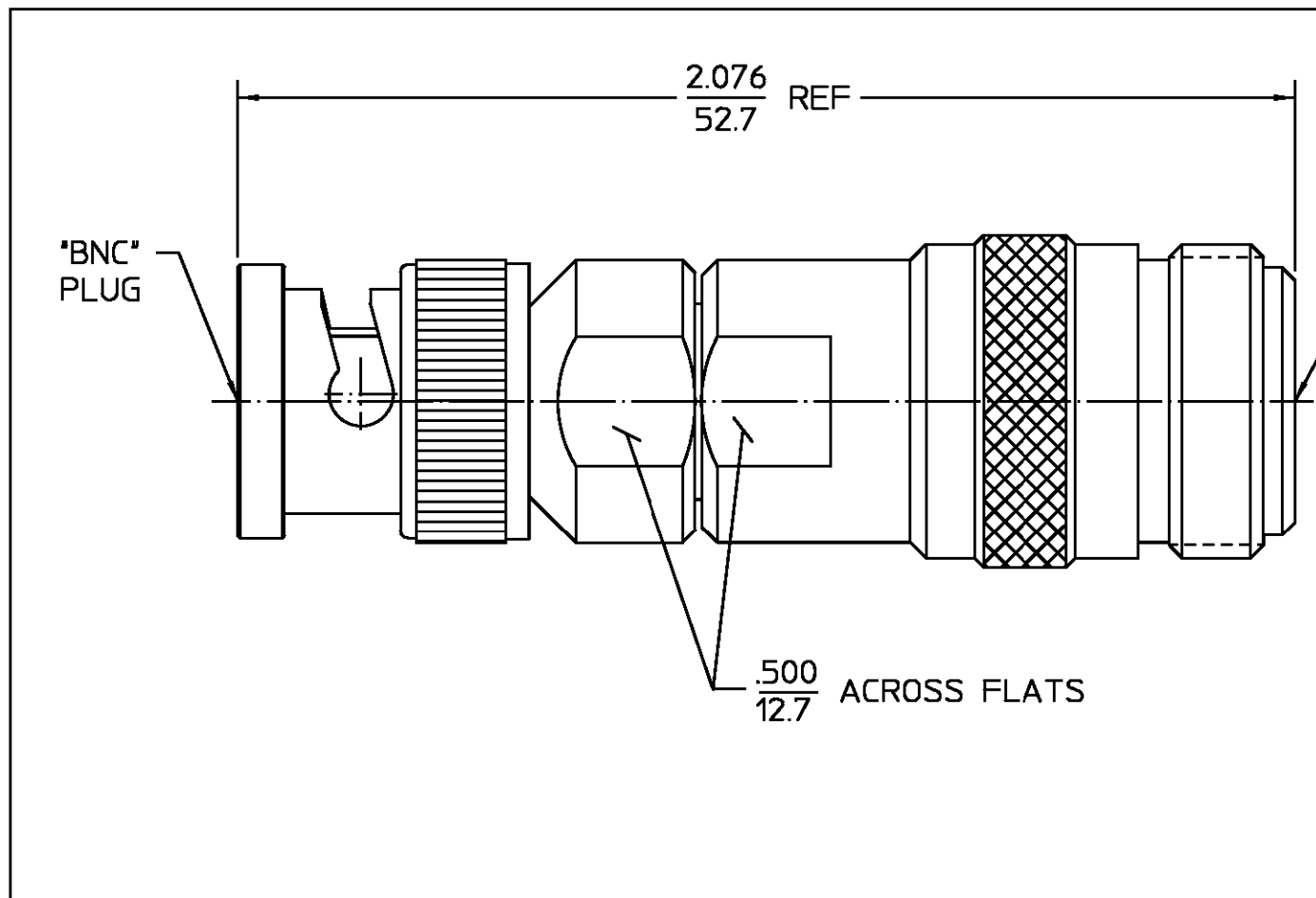
## Contact us

Tel: +86-755-8981 8866 Fax: +86-755-8427 6832

Email & Skype: info@chipsmall.com Web: www.chipsmall.com

Address: A1208, Overseas Decoration Building, #122 Zhenhua RD., Futian, Shenzhen, China





REVISIONS			
REV	DESCRIPTION	DATE	APPROVED
01 <sub>2</sub>	REVISED	PATLAN 7-28-98	<i>[Signature]</i> 3/31/99
B	PER EC 0U20-0694-00	10/2/01	<i>[Signature]</i> 10/2/01

HOUSING COUPLING NUT	STAINLESS STEEL PER ASTM-A484 AND ASTM-A582, TYPE 303	PASSIVATE PER QQ-P-35
DIELECTRIC	PTFE FLUOROCARBON PER ASTM-D-1457	N/A
CONTACT EXT.	BERYLLIUM COPPER PER ASTM-B-196 OR ASTM-B-197, ALLOY C17300, CONDITION H	GOLD PLATE PER MIL-G-45204
CENTER CONTACT	BRASS PER ASTM-B-16, HALF HARD	GOLD PLATE PER MIL-G-45204
INNER SLEEVE SPLIT WASHER	BRASS PER ASTM-B-16, HALF HARD	NICKEL PLATE
SPRING WASHER	BERYLLIUM COPPER PER ASTM-B-194, ALLOY C17200, CONDITION H	NICKEL PLATE
CAP	VINYL PLASTIC	N/A
GASKET	SILICONE RUBBER PER ZZ-R-765	N/A

ELECTRICAL	MECHANICAL	ENVIRONMENTAL
Nominal Impedance (Ohms) <u>50</u>	Interface Dimensions MIL-STD-348A, Fig. 301-1 BNC	Temperature Rating <u>-65 TO +165°C</u>
Frequency Range (GHz) DC to <u>4.0</u>	Fig. 304-2 OSN	Shock MIL-STD-202, Method 213, Condition I
Volt Rating (VRMS MAX) @ Sea Level <u>500</u>	Recommended Mating Torque <u>N/A</u>	Moisture Resistance MIL-STD-202, Method 106
VSWR <u>1.35 MAX @ 0.5 TO 4 GHz</u>	Mating Characteristics: Insertion (MAX Lbs) <u>2.0</u>	Corrosion - MIL-STD-202, Method 101, Condition B, 5% salt spray
Insertion Loss (dB MAX) <u>0.1 MAX @ 3 GHz</u>	Withdrawal (MIN Oz) <u>2.0</u>	
RF Leakage (dB MIN) <u>-55 @ 2-3 GHz</u>	Force to Engage and Disengage (In-Lbs MAX) <u>6.0 BNC 3.0 OSN</u>	
Corona, 70,000 Ft (VRMS MIN) <u>375</u>	Center Contact Captivation Axial (Lbs) <u>6.0</u>	
Dielectric Withstanding Voltage (VRMS MIN) @ Sea Level <u>1,500</u>	Radial (In-Oz) <u>N/A</u>	
Contact Resistance (Milliohms MAX) Center Contact <u>2.0</u>	Cable Retention Axial Force (Lbs) <u>NA</u>	
Outer Contact <u>1.5</u>	Torque (In-Oz) <u>N/A</u>	
Cable to Housing <u>N/A</u>	Weight (Grams) <u>TBD</u>	
RF High Potential @ Sea Level (VRMS MIN @ 5 MHz) <u>1,000</u>		
LR.(Megohms MIN) <u>5,000</u>		

COMPONENT	MATERIAL	FINISH
UNLESS OTHERWISE SPECIFIED DIMENSIONS ARE IN INCHES		
FRAC. ± 1/64	DEC. ± .005	ANGLES ± 1°
DRAWN BY SA DATE 9-16-86		 AMP Incorporated 140 Fourth Avenue Waltham, MA 02451-7599
CHECKED BY BGH DATE 9-16-86		
APP'D BY RL DATE 9-17-86		
TITLE "N" JACK TO "BNC" PLUG COAXIAL ADAPTER		
USE ASSY PROCEDURE		
NO. A.P. <u>N/A</u>		
SIZE B	CODE IDENT NO. 26805	3082-2321-00
SCALE 3:1	REV 01 <sub>2</sub>	
		SHEET 1 OF 1

.XXX = in  
XX.X = mm (REF)