



Chipsmall Limited consists of a professional team with an average of over 10 year of expertise in the distribution of electronic components. Based in Hongkong, we have already established firm and mutual-benefit business relationships with customers from,Europe,America and south Asia,supplying obsolete and hard-to-find components to meet their specific needs.

With the principle of “Quality Parts,Customers Priority,Honest Operation,and Considerate Service”,our business mainly focus on the distribution of electronic components. Line cards we deal with include Microchip,ALPS,ROHM,Xilinx,Pulse,ON,Everlight and Freescale. Main products comprise IC,Modules,Potentiometer,IC Socket,Relay,Connector.Our parts cover such applications as commercial,industrial, and automotives areas.

We are looking forward to setting up business relationship with you and hope to provide you with the best service and solution. Let us make a better world for our industry!



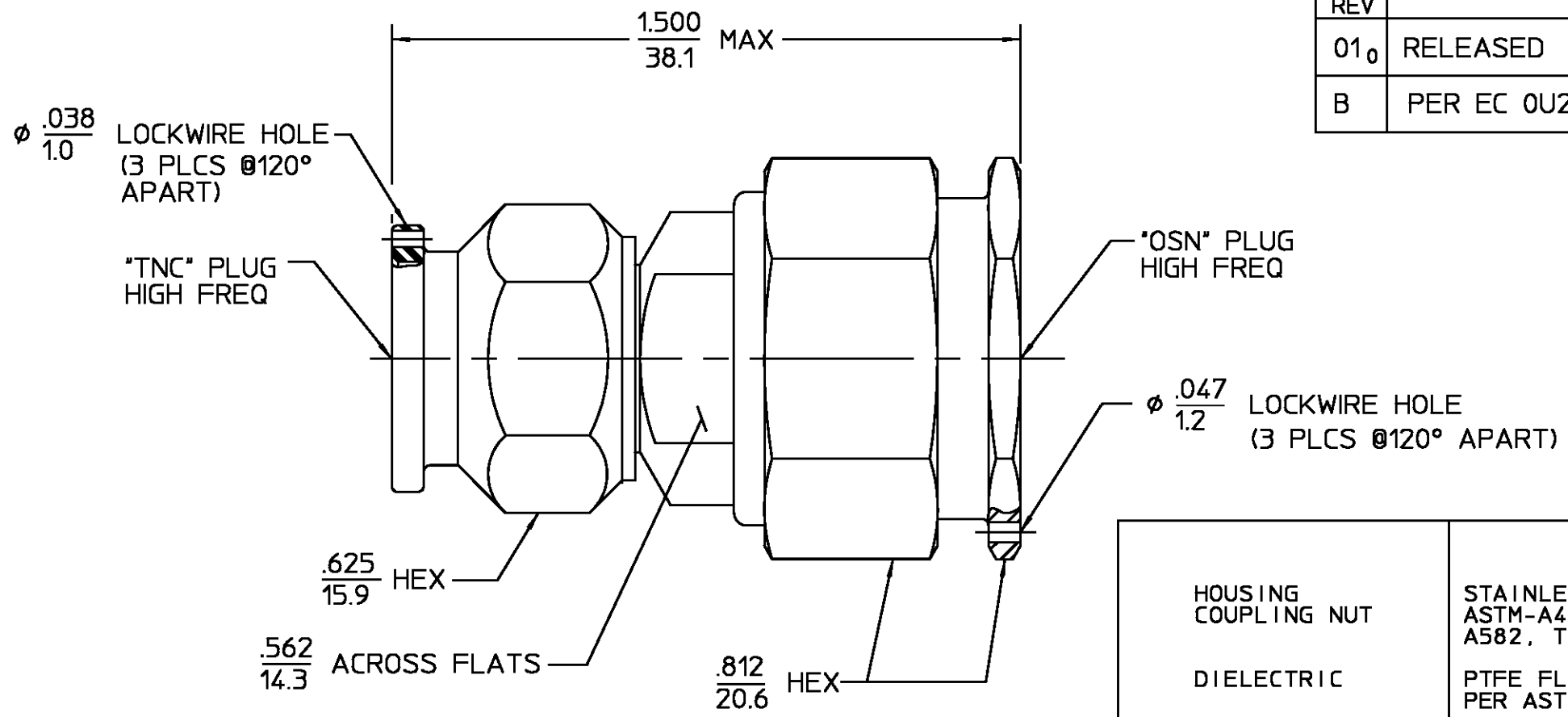
Contact us

Tel: +86-755-8981 8866 Fax: +86-755-8427 6832

Email & Skype: info@chipsmall.com Web: www.chipsmall.com

Address: A1208, Overseas Decoration Building, #122 Zhenhua RD., Futian, Shenzhen, China





REVISIONS			
REV	DESCRIPTION	DATE	APPROVED
01 ₀	RELEASED	10/17/97	<i>[Signature]</i>
B	PER EC 0U20-0692-00	9/28/01	<i>C. Hoang</i> 9/28/01

HOUSING COUPLING NUT	STAINLESS STEEL PER ASTM-A484 AND ASTM-A582, TYPE 303	PASSIVATE PER QQ-P-35
DIELECTRIC	PTFE FLUOROCARBON PER ASTM-D-1457	N/A
CENTER CONTACT	BRASS PER ASTM-B-16, HALF HARD	GOLD PLATE PER MIL-G-45204
RETAINING RING	BERYLLIUM COPPER PER ASTM-B-194, ALLOY C17200, CONDITION H	N/A
RETAINING RING	PHOSPHOR BRONZE PER QQ-B-750, GRADE B2	N/A
GASKET	SILICONE RUBBER PER ZZ-R-765	N/A

COMPONENT	MATERIAL	FINISH
-----------	----------	--------

UNLESS OTHERWISE SPECIFIED DIMENSIONS ARE IN INCHES FRAC. ± 1/64 DEC. ± .005 ANGLES ± 1°	DRAWN BY KYLE LE	DATE 7-03-97	AMP Incorporated 140 Fourth Avenue Waltham, MA 02451-7599
	CHECKED BY		
	APPD BY <i>[Signature]</i>	10/17/97	

These drawings and specifications are the property of M/A COM Interconnect Div. and shall not be reproduced or copied or used in whole or in part as the basis for the manufacture or sale of item(s) without written permission.	USE ASSY PROCEDURE	TITLE *OST* PLUG TO *OSN* PLUG HIGH FREQ ADAPTER	
	NO. A.P. N/A	SIZE B	CODE IDENT NO. 26805
		SCALE 3:1	3681-2311-02

NOTE:

FREQUENCY RANGE: dc - 6 GHz
 VSWR: 1.17:1 MAX.
 INSERTION LOSS: 0.4 dB MAX
 IMPEDANCE: 50 ohm
 INSULATION RESISTANCE: 5,000 Megaohm MIN
 WORKING VOLTAGE: 500 V_{rm} MIN
 DWV: 1,500 V_{rm} MIN AT SEA LEVEL
 CORONA LEVEL: 375 V MIN AT 70,000 FEET
 TEMPERATURE RANGE: -65 TO +165°C

CUSTOMER DRAWING

AMP PART # 1058662-1
 SHEET 1 OF 1 REV B