



Chipsmall Limited consists of a professional team with an average of over 10 year of expertise in the distribution of electronic components. Based in Hongkong, we have already established firm and mutual-benefit business relationships with customers from,Europe,America and south Asia,supplying obsolete and hard-to-find components to meet their specific needs.

With the principle of “Quality Parts,Customers Priority,Honest Operation,and Considerate Service”,our business mainly focus on the distribution of electronic components. Line cards we deal with include Microchip,ALPS,ROHM,Xilinx,Pulse,ON,Everlight and Freescale. Main products comprise IC,Modules,Potentiometer,IC Socket,Relay,Connector.Our parts cover such applications as commercial,industrial, and automotives areas.

We are looking forward to setting up business relationship with you and hope to provide you with the best service and solution. Let us make a better world for our industry!



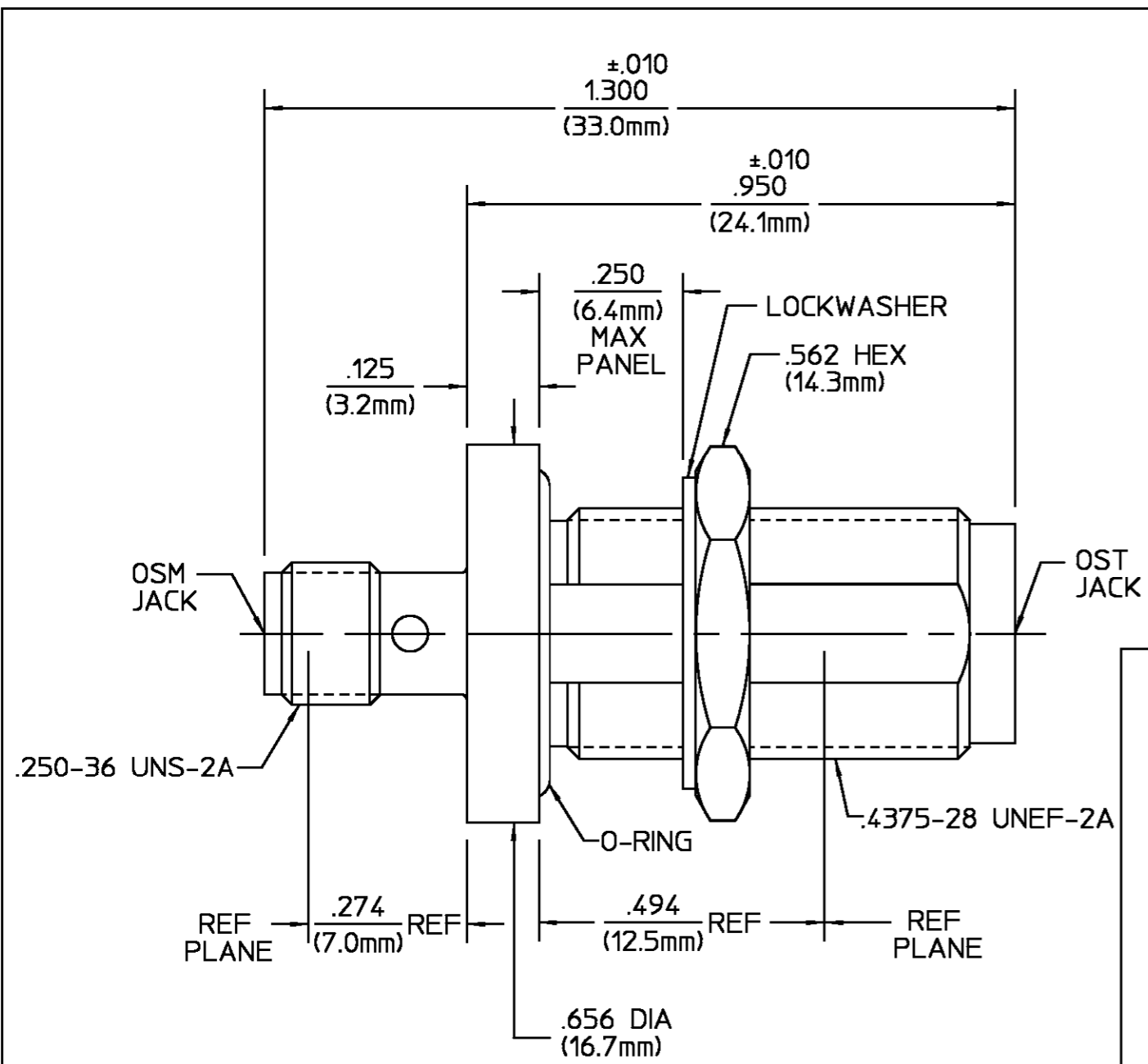
Contact us

Tel: +86-755-8981 8866 Fax: +86-755-8427 6832

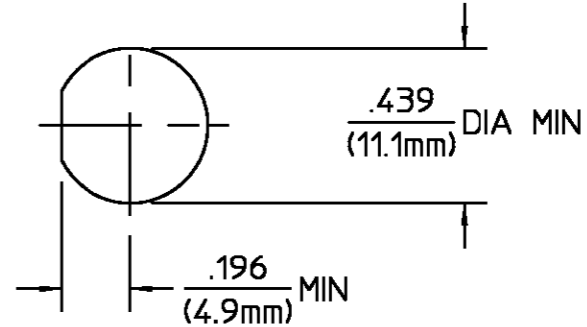
Email & Skype: info@chipsmall.com Web: www.chipsmall.com

Address: A1208, Overseas Decoration Building, #122 Zhenhua RD., Futian, Shenzhen, China





REVISIONS			
REV	DESCRIPTION	DATE	APPROVED
01 ₀	RELEASED	3/6/91	<i>DRJ</i>



RECOMMENDED MOUNTING HOLE (N.T.S.)

.250-36 UNS-2A

REF PLANE

.274 (7.0mm) REF

.656 DIA (16.7mm)

.494 (12.5mm) REF

REF PLANE

.4375-28 UNEF-2A

O-RING

OST JACK

LOCKWASHER
.562 HEX (14.3mm)

.250 (6.4mm) MAX PANEL

.125 (3.2mm)

±.010
1.300 (33.0mm)

±.010
.950 (24.1mm)

HOUSING MOUNTING NUT LOCKWASHER	STAINLESS STEEL PER ASTM-A484 AND ASTM-A582, TYPE 303	PASSIVATE PER ASTM-A380
DIELECTRIC	TFE FLUOROCARBON PER ASTM-D-1457	N/A
CENTER CONTACT	BERYLLIUM COPPER PER ASTM B 196, ALLOY C17300, CONDITION H	GOLD PLATE PER MIL-G-45204 OVER COPPER PLATE PER MIL-C-14550
"O" - RING	FLOUROCARBON RUBBER PER MIL-R-83248	N/A
COMPONENT	MATERIAL	FINISH

NOTES:
1. CAPTURED CENTER CONTACT

UNLESS OTHERWISE SPECIFIED DIMENSIONS ARE IN INCHES TOLERANCE ON
FRAC. DEC. ANGLES
± 1/64 ± .005 ± 1°

DRAWN BY M.Y. DATE 2-5-91
CHECKED BY BB 3/6/91
APPD BY *DRJ* 3/6/91

AMP Incorporated
140 Fourth Avenue
Waltham, MA 02451-7599

These drawings and specifications are the property of Omni Spectra Incorporated and shall not be reproduced or copied or used in whole or in part as the basis for the manufacture or sale of item(s) without written permission.

USE ASSY PROCEDURE

NO. AP. N/A

TITLE OSM JACK TO OST JACK BULKHEAD FEEDTHRU ADAPTER

SIZE B	CODE IDENT NO. 26805	4184-2240-00	REV 01 ₀
--------	----------------------	--------------	---------------------

SCALE 4:1 SHEET 1 OF 1