



Chipsmall Limited consists of a professional team with an average of over 10 year of expertise in the distribution of electronic components. Based in Hongkong, we have already established firm and mutual-benefit business relationships with customers from,Europe,America and south Asia,supplying obsolete and hard-to-find components to meet their specific needs.

With the principle of “Quality Parts,Customers Priority,Honest Operation,and Considerate Service”,our business mainly focus on the distribution of electronic components. Line cards we deal with include Microchip,ALPS,ROHM,Xilinx,Pulse,ON,Everlight and Freescale. Main products comprise IC,Modules,Potentiometer,IC Socket,Relay,Connector.Our parts cover such applications as commercial,industrial, and automotives areas.

We are looking forward to setting up business relationship with you and hope to provide you with the best service and solution. Let us make a better world for our industry!



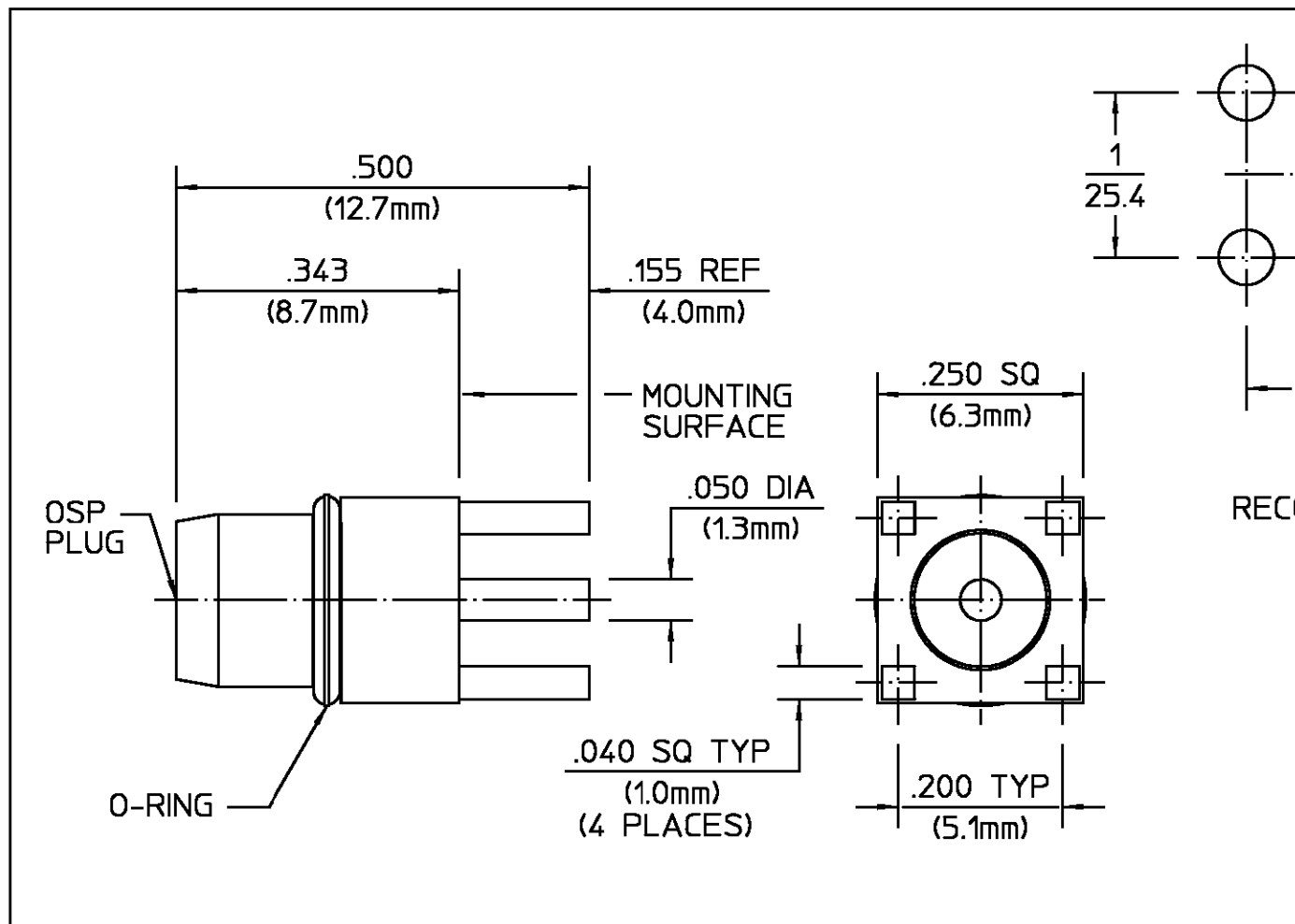
## Contact us

Tel: +86-755-8981 8866 Fax: +86-755-8427 6832

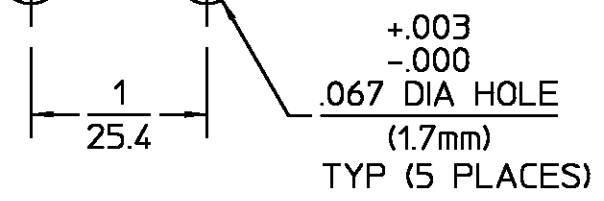
Email & Skype: info@chipsmall.com Web: www.chipsmall.com

Address: A1208, Overseas Decoration Building, #122 Zhenhua RD., Futian, Shenzhen, China





REVISIONS			
REV	DESCRIPTION	DATE	APPROVED
02 <sub>0</sub>	PART NO WAS 4562-0000-00 PER ECN 84-0476	LR 8/16/84	D.CAM
02 <sub>1</sub>	REDRAWN ON CAD PER ECN 88-0678	BME 2/7/90	BB 2/9/90



RECOMMENDED MOUNTING HOLE DIMENSIONS (P.C.B.)

NOTES:  
1. CAPTURED CENTER CONTACT

HOUSING	STAINLESS STEEL PER ASTM-A484 AND ASTM-A582, TYPE 303	GOLD PLATE PER MIL-G-45204 OVER NICKEL PLATE PER QQ-N-290
DIELECTRIC	TFE FLUOROCARBON PER ASTM-D-1457, MIL-P-19468, AND FED. SPEC L-P-403	N/A
CENTER CONTACT	BERYLLIUM COPPER PER ASTM-B196, ALLOY 173	GOLD PLATE PER MIL-G-45204 OVER COPPER PLATE PER MIL-C-14550
"O" - RING	NITRILE (BUNA-N) PER MIL-P-25732	N/A
COMPONENT	MATERIAL	FINISH

ELECTRICAL	MECHANICAL	ENVIRONMENTAL
Nominal Impedance (Ohms) <u>50</u>	Interface Dimensions per <u>DESC spec 85701</u>	Temperature Rating <u>-65°C to +125°C</u>
Frequency Range (GHz) <u>DC-18</u>	Recommended Mating Torque <u>N/A</u>	Vibration - MIL-STD-202, Method 204, Condition D
Volt Rating (VRMS MAX) <u>500 @ Sea level</u>	Mating Characteristics: Insertion (MAX Lbs) <u>N/A</u>	Shock - MIL-STD-202, Method 213, Condition I
VSWR <u>N/A</u>	Withdrawal (MIN Oz) <u>N/A</u>	Thermal shock MIL-STD-202, Method 107 Test Condition B
Insertion Loss (dB MAX) <u>N/A</u>	Connector Engagement and Disengagement (In/Lbs MAX) <u>N/A</u>	Except High Temp 115°C
RF Leakage (dB MIN) <u>-(90-F(GHz))</u> (Interface only, fully mated)	Center Contact Captivation: Axial <u>6 Lbs</u>	Moisture Resistance - MIL-STD-202, Method 106
Corona, 70,000 Ft (VRMS MIN) <u>335</u>	Cable Retention: Axial Force <u>N/A</u>	Corrosion - MIL-STD-202, Method 101, Condition B, 5% salt spray
Dielectric Withstanding Voltage (VRMS MIN) <u>1000</u>	Torque <u>N/A</u>	
Contact Resistance (Milliohms MAX): Center Contact <u>2.0</u>	Weight (Grams) _____	
Outer Contact <u>2.0</u>		
RF High Potential (VRMS MIN @ 5 MHz) <u>1000</u>		
LR.(Megohms) <u>5000 MIN</u>		

UNLESS OTHERWISE SPECIFIED DIMENSIONS ARE IN INCHES TOLERANCE ON FRAC. DEC. ANGLES ± 1/64 ± .005 ± °	DATE <u>2-9-83</u>	AMP Incorporated 140 Fourth Avenue Waltham, MA 02451-7599
	DRWN BY <u>JDP</u>	
These drawings and specifications are the property of Omni Spectra Incorporated and shall not be reproduced or copied or used in whole or in part as the basis for the manufacture or sale of item(s) without written permission.	CHECKED BY <u>T. SCANNELLI</u>	AMP
	DATE <u>9/29/83</u>	
USE ASS'Y PROCEDURE	APPR BY <u>T. SCANNELLI</u>	TITLE <b>OSP PRINTED CIRCUIT BOARD PLUG RECEPTACLE - STRAIGHT TERMINAL</b>
NO. AP. <u>N/A</u>		SIZE <b>B</b>
		CODE IDENT NO. <b>26805</b>
		4563-0000-00
		REV <b>02<sub>1</sub></b>
		SCALE <b>5:1</b>
		SHEET 1 OF 1