



Chipsmall Limited consists of a professional team with an average of over 10 year of expertise in the distribution of electronic components. Based in Hongkong, we have already established firm and mutual-benefit business relationships with customers from,Europe,America and south Asia,supplying obsolete and hard-to-find components to meet their specific needs.

With the principle of "Quality Parts,Customers Priority,Honest Operation,and Considerate Service",our business mainly focus on the distribution of electronic components. Line cards we deal with include Microchip,ALPS,ROHM,Xilinx,Pulse,ON,Everlight and Freescale. Main products comprise IC,Modules,Potentiometer,IC Socket,Relay,Connector.Our parts cover such applications as commercial,industrial, and automotives areas.

We are looking forward to setting up business relationship with you and hope to provide you with the best service and solution. Let us make a better world for our industry!



## Contact us

Tel: +86-755-8981 8866 Fax: +86-755-8427 6832

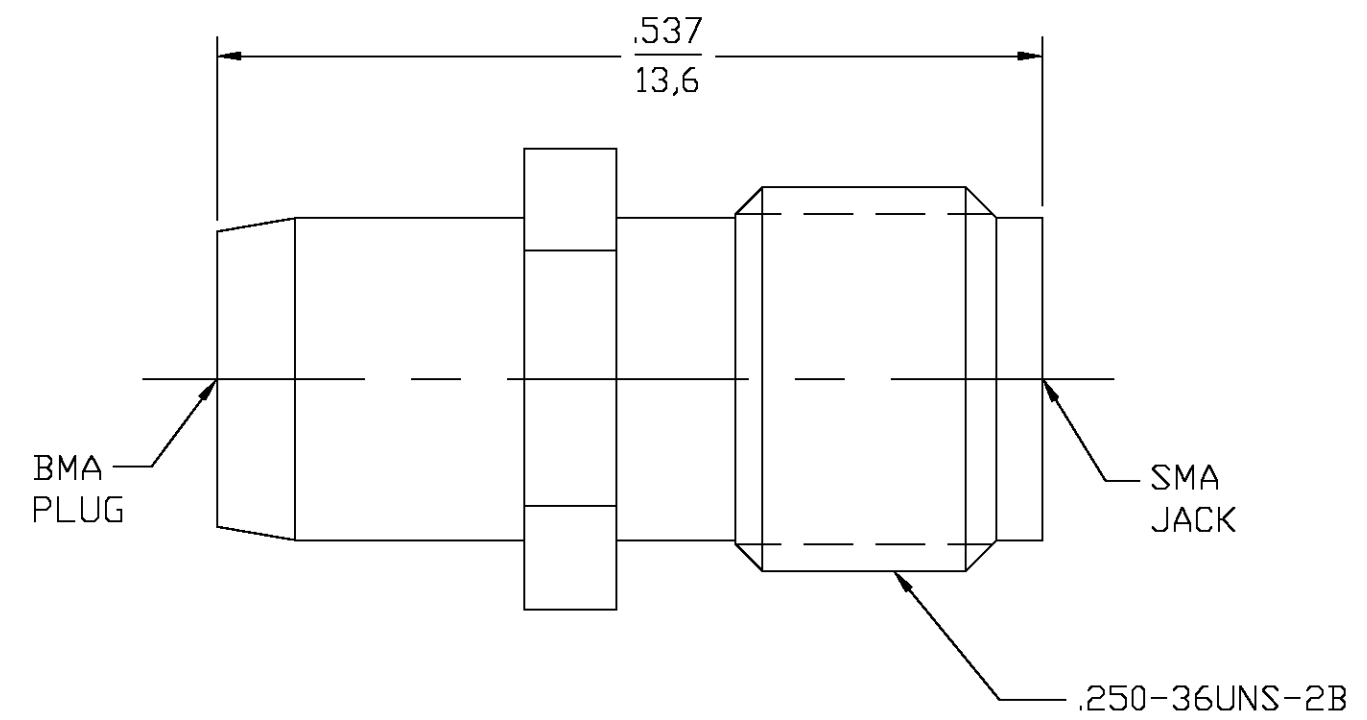
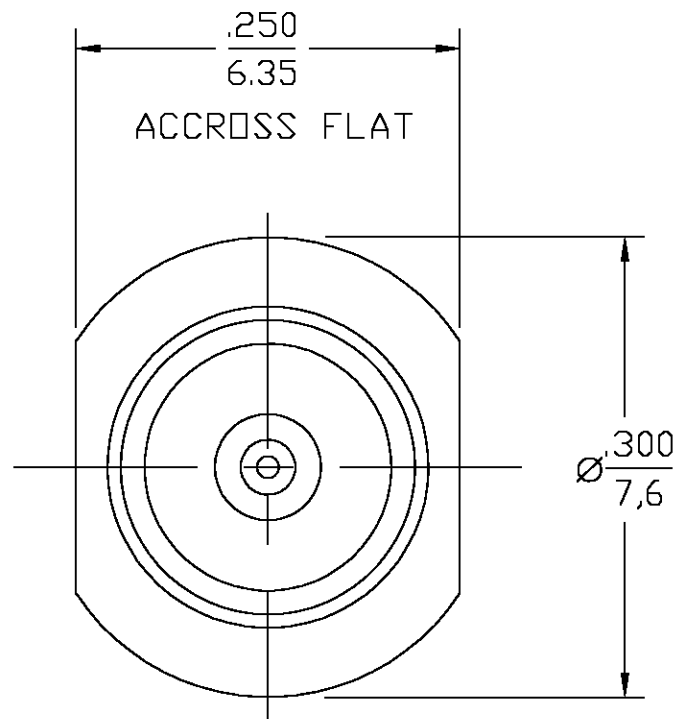
Email & Skype: info@chipsmall.com Web: www.chipsmall.com

Address: A1208, Overseas Decoration Building, #122 Zhenhua RD., Futian, Shenzhen, China



THIS DRAWING IS UNPUBLISHED. RELEASED FOR PUBLICATION  
 © COPYRIGHT BY TYCO ELECTRONICS CORPORATION. ALL RIGHTS RESERVED.

LOC	DIST	REVISIONS					
HC	00	P	LTR	DESCRIPTION	DATE	DWN	APVD
		A		RELEASE	6/6/03	-	DCam



- NOTES:
1. FREQUENCY RANGE: DC TO 18 GHz
  2. VSWR: 1.05 +.005 f(GHz)
  3. INSERTION LOSS: .06 √f(GHz)
  4. CAPTURED CENTER CONTACT

HOUSING	STAINLESS STEEL ASTM-A484 & ASTM-A582 TYPE 303	PASSIVATE PER QQ-P-35
CONTACT	BERYLLIUM COPPER PER ASTM-B-196, ALLOY C17300, COND H	GOLD PLATE PER MIL-G-45204
DIELECTRIC	PTFE FLUOROCARBON PER ASTM-D-4894	N/A
COMPONENT	MATERIAL	FINISH

1059716-1  
PART NO

THIS DRAWING IS A CONTROLLED DOCUMENT.		DWN PVC	4/29/82	 Tyco Electronics Corporation Norwood, MA 02062													
DIMENSIONS: INCHES / mm		CHK RAL	4/29/82														
		APVD JK	4/29/82														
<table border="1"> <tr> <th colspan="2">TOLERANCES UNLESS OTHERWISE SPECIFIED:</th> </tr> <tr> <td>0 PLC</td> <td>± -</td> </tr> <tr> <td>1 PLC</td> <td>± -</td> </tr> <tr> <td>2 PLC</td> <td>± -</td> </tr> <tr> <td>3 PLC</td> <td>± .005</td> </tr> <tr> <td>4 PLC</td> <td>± -</td> </tr> <tr> <td>ANGLES</td> <td>± 1</td> </tr> </table>		TOLERANCES UNLESS OTHERWISE SPECIFIED:			0 PLC	± -	1 PLC	± -	2 PLC	± -	3 PLC	± .005	4 PLC	± -	ANGLES	± 1	NAME BMA (OSP) PLUG TO SMA JACK ADAPTER (4582-2240-02)
TOLERANCES UNLESS OTHERWISE SPECIFIED:																	
0 PLC	± -																
1 PLC	± -																
2 PLC	± -																
3 PLC	± .005																
4 PLC	± -																
ANGLES	± 1																
MATERIAL	FINISH	PRODUCT SPEC	APPLICATION SPEC	SIZE	CAGE CODE	DRAWING NO	RESTRICTED TO										
-	-	-	-	A3	00779	©-1059716	-										
CUSTOMER DRAWING				SCALE	SHEET	OF	REV										
				8:1	1	1	A										