



Chipsmall Limited consists of a professional team with an average of over 10 year of expertise in the distribution of electronic components. Based in Hongkong, we have already established firm and mutual-benefit business relationships with customers from,Europe,America and south Asia,supplying obsolete and hard-to-find components to meet their specific needs.

With the principle of “Quality Parts,Customers Priority,Honest Operation,and Considerate Service”,our business mainly focus on the distribution of electronic components. Line cards we deal with include Microchip,ALPS,ROHM,Xilinx,Pulse,ON,Everlight and Freescale. Main products comprise IC,Modules,Potentiometer,IC Socket,Relay,Connector.Our parts cover such applications as commercial,industrial, and automotives areas.

We are looking forward to setting up business relationship with you and hope to provide you with the best service and solution. Let us make a better world for our industry!



## Contact us

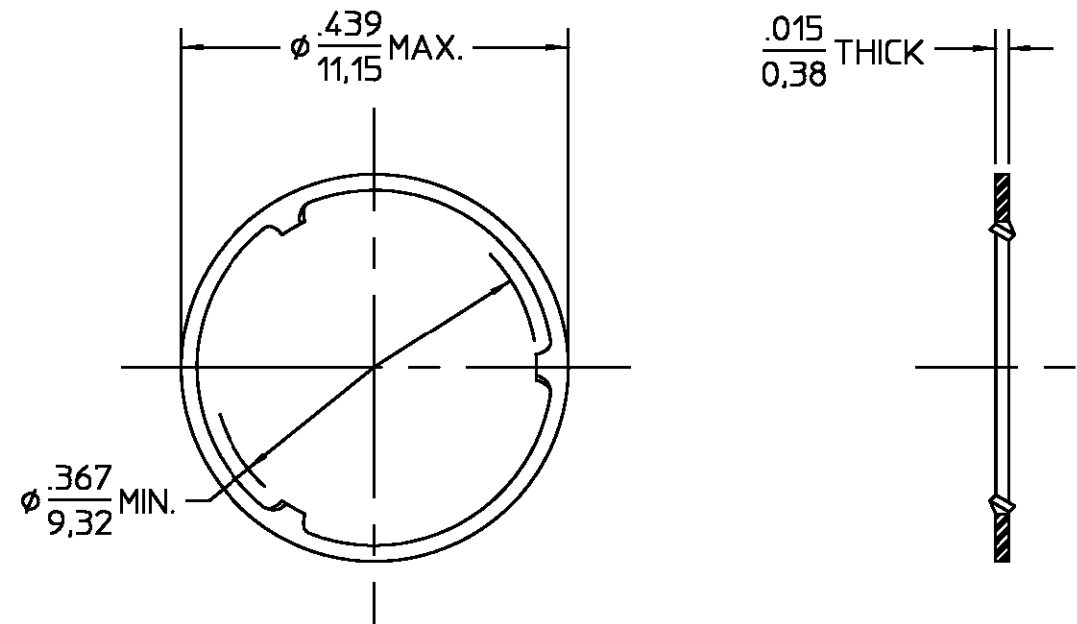
Tel: +86-755-8981 8866 Fax: +86-755-8427 6832

Email & Skype: info@chipsmall.com Web: www.chipsmall.com

Address: A1208, Overseas Decoration Building, #122 Zhenhua RD., Futian, Shenzhen, China



REVISIONS			
REV	DESCRIPTION	DATE	APPROVED
01 <sub>0</sub>	RELEASED	2/19/99	



LOCKWASHER	CARBON STEEL 1050	NICKEL PLATE PER QQ-N-290	
COMPONENT	MATERIAL	FINISH	
UNLESS OTHERWISE SPECIFIED DIMENSIONS ARE IN INCHES  FRAC.    DEC.    ANGLES ± 1/64   ±.005   ± 1°	DRAWN BY DMM	DATE 2/19/99	AMP Incorporated 140 Fourth Avenue Walham, MA 02451-7599
	CHECKED BY	APPD BY 	
These drawings and specifications are the property of AMP Interconnect Division and shall not be reproduced or copied or used in whole or in part as the basis for the manufacture or sale of item(s) without written permission.	USE ASSY PROCEDURE	TITLE LOCKWASHER	
	NO. A.P. <u>N/A</u>	SIZE B	CODE IDENT NO. 26805
		SCALE 5:1	4598-5075-10
			SHEET 1 OF 1

.XXX = in  
XX.X = mm (REF)