



Chipsmall Limited consists of a professional team with an average of over 10 year of expertise in the distribution of electronic components. Based in Hongkong, we have already established firm and mutual-benefit business relationships with customers from,Europe,America and south Asia,supplying obsolete and hard-to-find components to meet their specific needs.

With the principle of "Quality Parts,Customers Priority,Honest Operation,and Considerate Service",our business mainly focus on the distribution of electronic components. Line cards we deal with include Microchip,ALPS,ROHM,Xilinx,Pulse,ON,Everlight and Freescale. Main products comprise IC,Modules,Potentiometer,IC Socket,Relay,Connector.Our parts cover such applications as commercial,industrial, and automotives areas.

We are looking forward to setting up business relationship with you and hope to provide you with the best service and solution. Let us make a better world for our industry!



Contact us

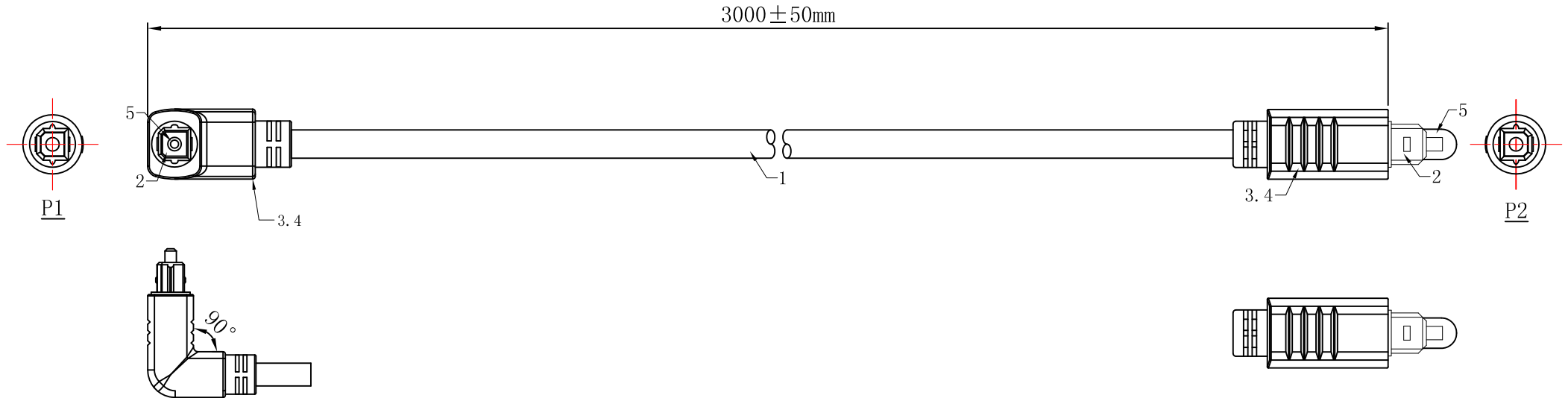
Tel: +86-755-8981 8866 Fax: +86-755-8427 6832

Email & Skype: info@chipsmall.com Web: www.chipsmall.com

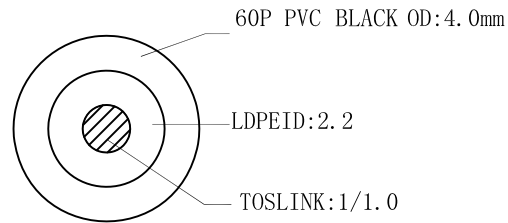
Address: A1208, Overseas Decoration Building, #122 Zhenhua RD., Futian, Shenzhen, China



REV.	Change NO.	Change Description	Date	Approved
A0		NEW	2018.01.31	

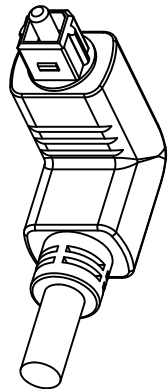


OPTO M MOLDING TYPE
 INNER MOLD NO. :HJ-CT-444
 OUTER MOLD NO. :HJ-CT-434



29ZZ00040BK001 (HJ-0143)

OPTO M MOLDING TYPE
 OUTER MOLD NO. :HJ-CT-416



ITEM NO.	106-1242-BL-00300	Customer				
DESCRIPTION		REV.	A0	FILE/N		
MATERIAL NO.	C-OPTOM-M-3.0M	PAGE	1 OF 1	APPRO		
CnC Tech, LLC		UNIT	mm	CHECK		
		SCALE	NONE	DRAWN	Shel	
		PROJECTION		DATE:	2018.01.31	