



Chipsmall Limited consists of a professional team with an average of over 10 year of expertise in the distribution of electronic components. Based in Hongkong, we have already established firm and mutual-benefit business relationships with customers from,Europe,America and south Asia,supplying obsolete and hard-to-find components to meet their specific needs.

With the principle of “Quality Parts,Customers Priority,Honest Operation,and Considerate Service”,our business mainly focus on the distribution of electronic components. Line cards we deal with include Microchip,ALPS,ROHM,Xilinx,Pulse,ON,Everlight and Freescale. Main products comprise IC,Modules,Potentiometer,IC Socket,Relay,Connector.Our parts cover such applications as commercial,industrial, and automotives areas.

We are looking forward to setting up business relationship with you and hope to provide you with the best service and solution. Let us make a better world for our industry!



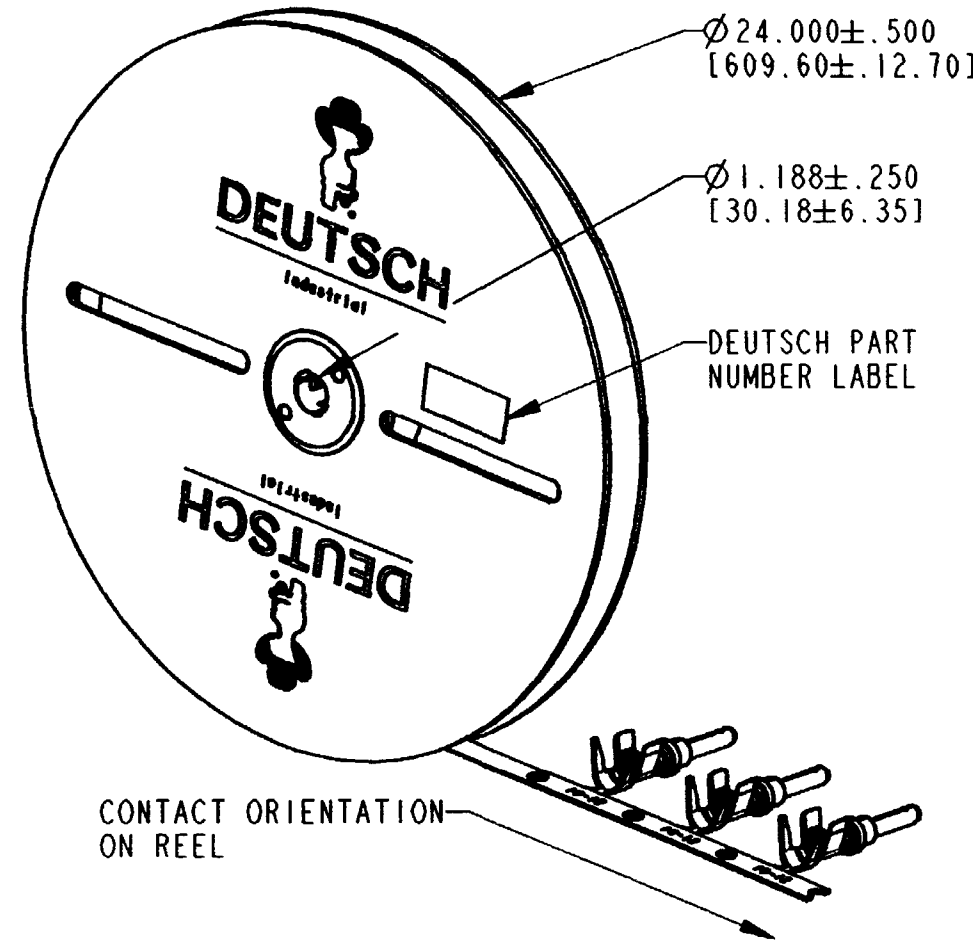
Contact us

Tel: +86-755-8981 8866 Fax: +86-755-8427 6832

Email & Skype: info@chipsmall.com Web: www.chipsmall.com

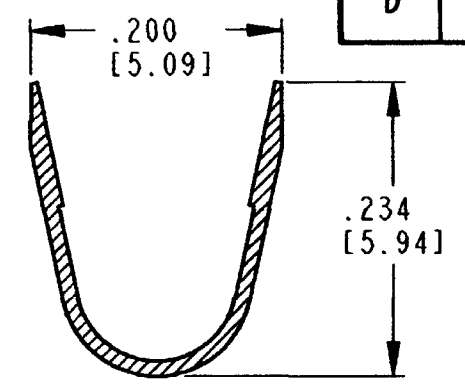
Address: A1208, Overseas Decoration Building, #122 Zhenhua RD., Futian, Shenzhen, China



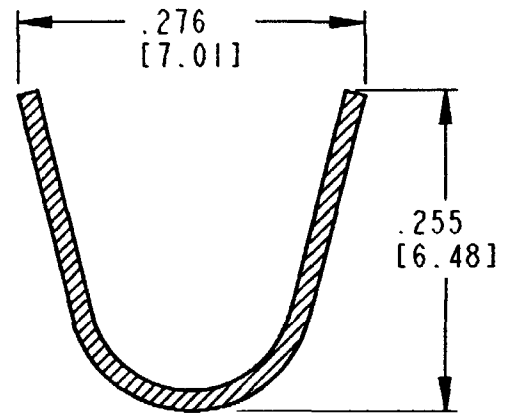


REV D 1060-12-02**

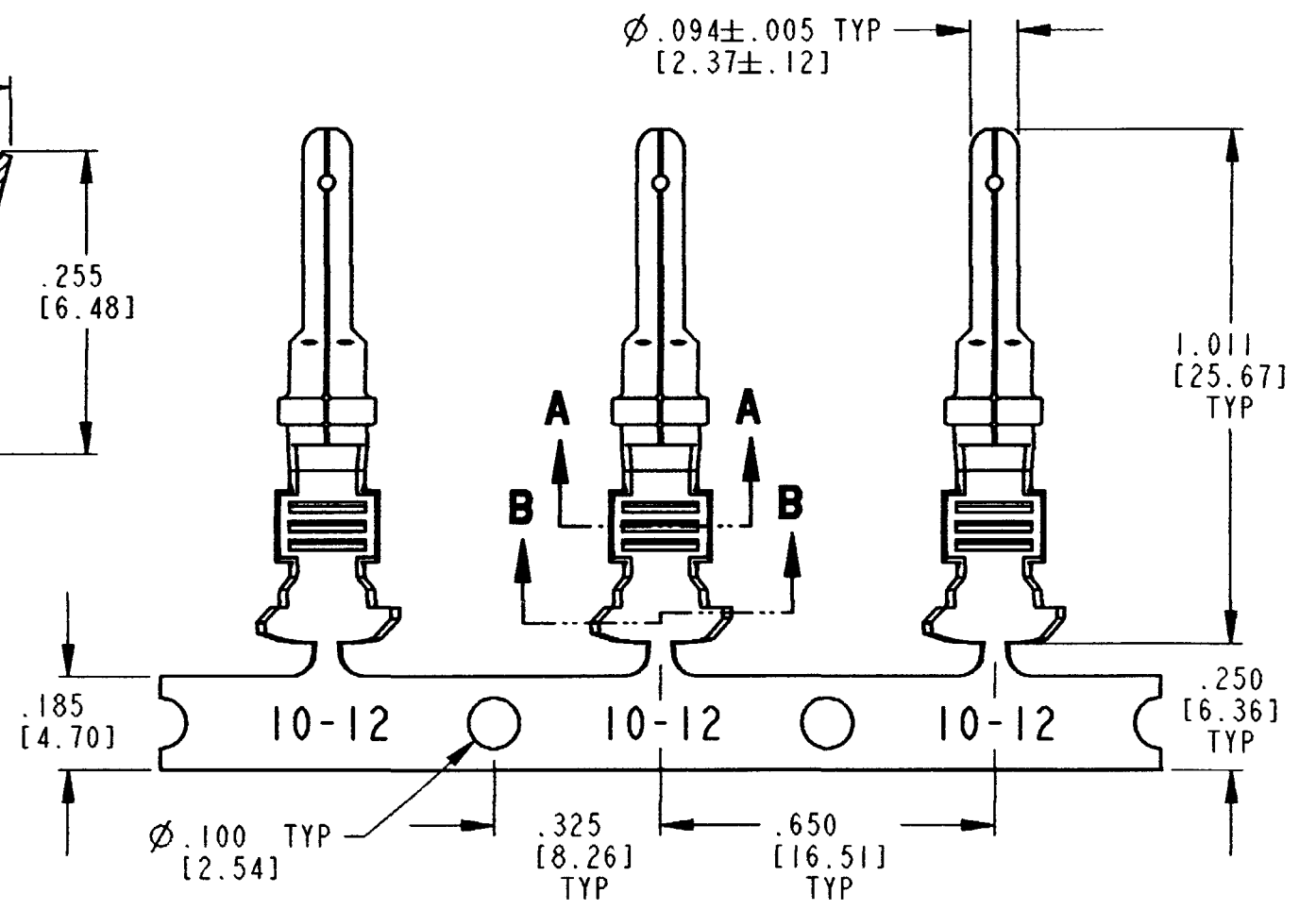
REVISIONS			
SYM	DESCRIPTION	DATE	APPROVED
A	REVISED PER E.O. P17489	11-2-01	R.D.R.
B	REVISED PER E.O. P17675	3-15-02	R.D.R.
C	REVISED PER E.O. P18856	3-15-05	R.D.R.
D	REVISED PER E.O. P19555	7-11-07	ADP



SECTION A-A
CONDUCTOR WINGS



SECTION B-B
INSULATION WINGS



7. CONTACT MATERIAL CONTAINS 98% COPPER MINIMUM.
 6. WHEN ** = 22 PLATING IS NICKEL.
** = 44 PLATING IS GOLD.
 5. SEE 0425-015-0000 FOR CONTACT PERFORMANCE AND WIRE APPLICATION CHARACTERISTICS.
 4. THIS CONTACT MAY BE CRIMPED WITH DCT12-02-01 AUTOMATIC DIE OR DTT-12-01 HAND TOOL. SEE DRAWING 0425-041-0000 FOR APPLICABLE WIRE SIZE, INSULATION DIAMETER RANGE, AND CRIMPING INFORMATION.
 3. ONE REEL CONTAINS APPROXIMATELY 2000 CONTACTS.
 2. DIMENSION TOLERANCE: ±.025 [.64].
 1. DIMENSIONS ARE IN INCHES [mm].
- NOTES: UNLESS OTHERWISE SPECIFIED

SIGNATURE & DATE	
DR	D. MEYER 03/08/01
CHK	B. B. 17/11/07
PE	D. Meyer 7/10/07
APPD	R. Reed 7-11-07
SCALE	NONE
WT	

STAMPED CONTACT
PIN
SIZE 12

ENVELOPE

EP	EPI01	MATL-CODE
The Deutsch Company DEUTSCH I.P.D. 3850 INDUSTRIAL AVE. HEMET, CALIF. 92545		
B	1060-12-02**	
DWG SIZE	CODE 11139	SHEET OF