



Chipsmall Limited consists of a professional team with an average of over 10 year of expertise in the distribution of electronic components. Based in Hongkong, we have already established firm and mutual-benefit business relationships with customers from,Europe,America and south Asia,supplying obsolete and hard-to-find components to meet their specific needs.

With the principle of “Quality Parts,Customers Priority,Honest Operation,and Considerate Service”,our business mainly focus on the distribution of electronic components. Line cards we deal with include Microchip,ALPS,ROHM,Xilinx,Pulse,ON,Everlight and Freescale. Main products comprise IC,Modules,Potentiometer,IC Socket,Relay,Connector.Our parts cover such applications as commercial,industrial, and automotives areas.

We are looking forward to setting up business relationship with you and hope to provide you with the best service and solution. Let us make a better world for our industry!



## Contact us

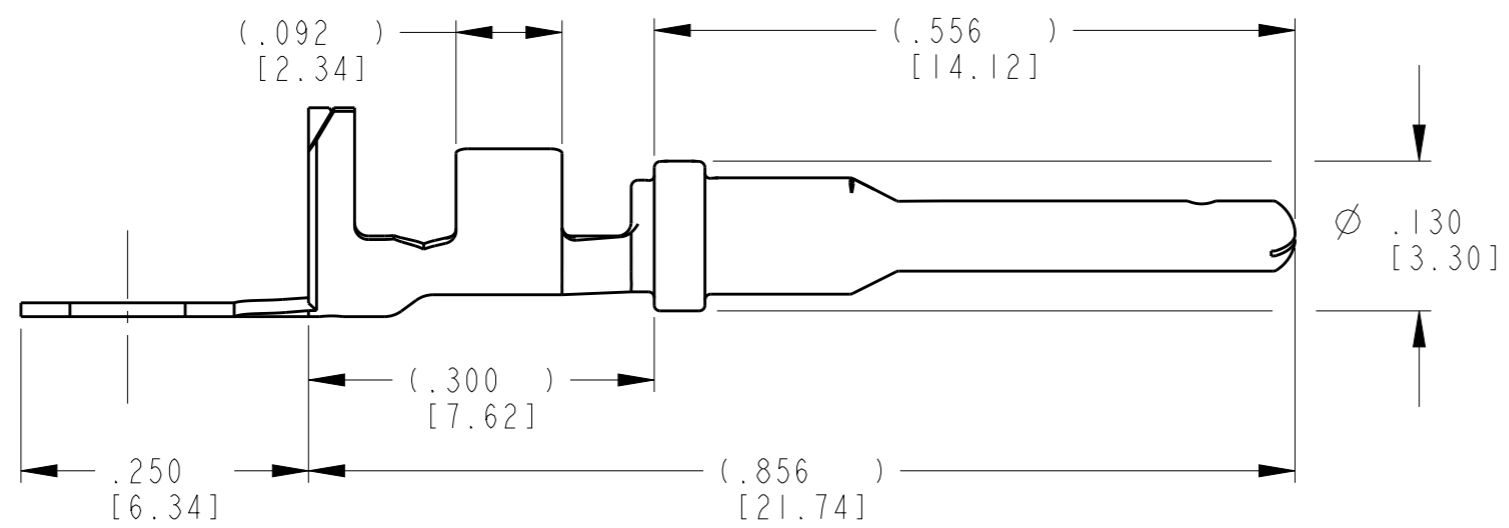
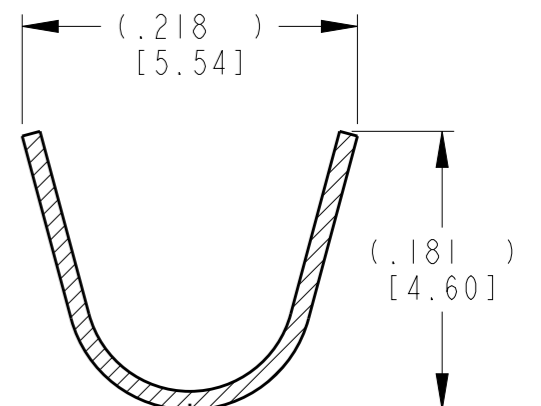
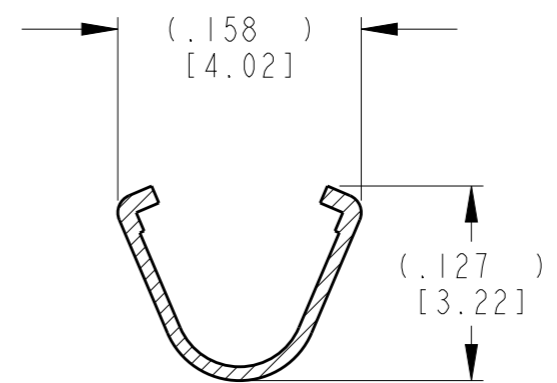
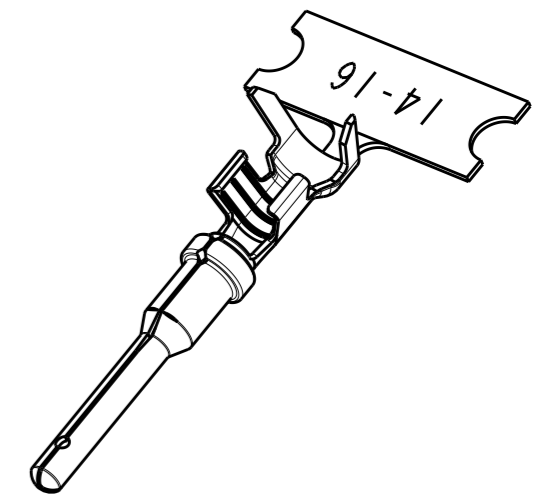
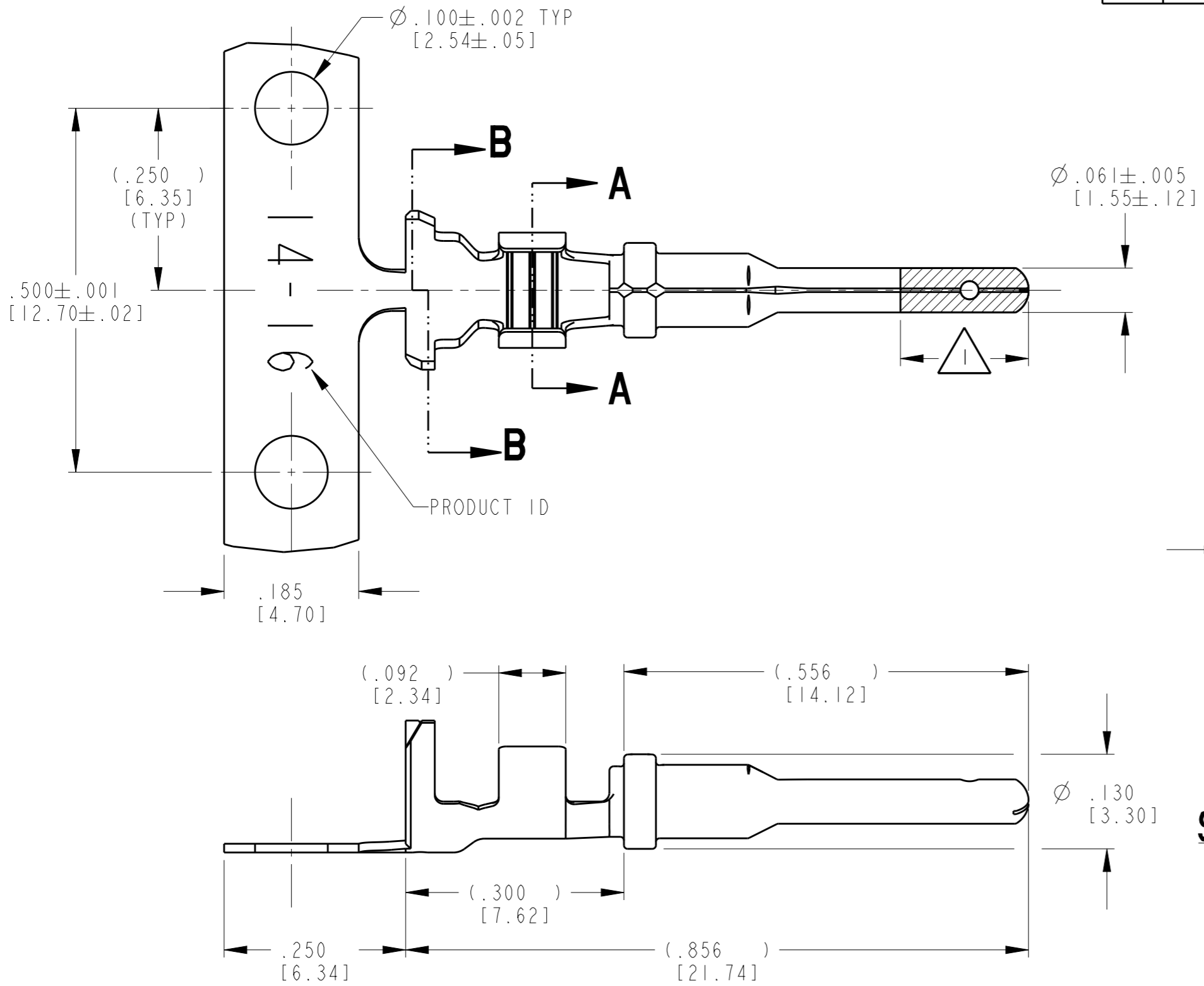
Tel: +86-755-8981 8866 Fax: +86-755-8427 6832

Email & Skype: info@chipsmall.com Web: www.chipsmall.com

Address: A1208, Overseas Decoration Building, #122 Zhenhua RD., Futian, Shenzhen, China



LOC	DIST	REVISIONS			
P	LTR	DESCRIPTION	DATE	DWN	APVD
	C	REVISED PER E.O. P17000	08DEC2000	SP	RDR
	D	REVISED PER E.O. P19555	11JUL2007	JA	RDR
	E	REVISED PER E.O. P20396	25JUN2010	JA	RDR
	F	REVISED PER ECO-15-007761	28MAY2015	RL	DM



TE INTERNAL PN	DEUTSCH PN	PLATING
1060-14-0122	1060-14-0122	NICKEL
1060-14-0144	1060-14-0144	SELECTIVE GOLD
1060-14-0177	1060-14-0177	TIN

- 3 MATERIAL: .012 [0.30] THICK COPPER ALLOY
- 2. WIRE RANGE: 18 AWG TO 14 AWG [0.75-2.0 mm<sup>2</sup>]  
INSULATION RANGE:  $\varnothing$ .095-.150 [ $\varnothing$ 2.41-3.81]
- 1 APPLIED ONLY TO SELECTIVE GOLD 1060-14-0144.  
INDICATED DIMENSION SHOWS GOLD PLATED AREA.

NOTES: UNLESS OTHERWISE SPECIFIED

THIS DRAWING IS A CONTROLLED DOCUMENT.		DWN 04NOV1999 MICHAEL BLOOM		
DIMENSIONS: INCHES [mm]		CHK 04DEC2000 VLADIMIR TOMSA		
TOLERANCES UNLESS OTHERWISE SPECIFIED:		APVD 08DEC2000 ROBIN REED	NAME STAMPED CONTACT PIN SIZE 16	
0 PLC ± 1 PLC ± 2 PLC ± 3 PLC ±.025 [0.64] 4 PLC ± ANGLES ±		PRODUCT SPEC 0425-015-0000	SIZE A3	
MATERIAL 3		APPLICATION SPEC 114-151000	CAGE CODE 4AFU8	DRAWING NO 1060-14-01XX
FINISH SEE TABLE		WEIGHT 0.34 g	RESTRICTED TO -	SCALE 6:1
		Customer Drawing	SHEET 1 OF 1	REV F