



Chipsmall Limited consists of a professional team with an average of over 10 year of expertise in the distribution of electronic components. Based in Hongkong, we have already established firm and mutual-benefit business relationships with customers from,Europe,America and south Asia,supplying obsolete and hard-to-find components to meet their specific needs.

With the principle of “Quality Parts,Customers Priority,Honest Operation,and Considerate Service”,our business mainly focus on the distribution of electronic components. Line cards we deal with include Microchip,ALPS,ROHM,Xilinx,Pulse,ON,Everlight and Freescale. Main products comprise IC,Modules,Potentiometer,IC Socket,Relay,Connector.Our parts cover such applications as commercial,industrial, and automotives areas.

We are looking forward to setting up business relationship with you and hope to provide you with the best service and solution. Let us make a better world for our industry!



## Contact us

Tel: +86-755-8981 8866 Fax: +86-755-8427 6832

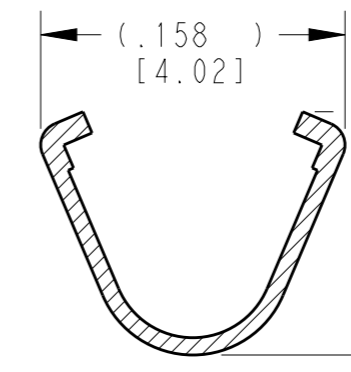
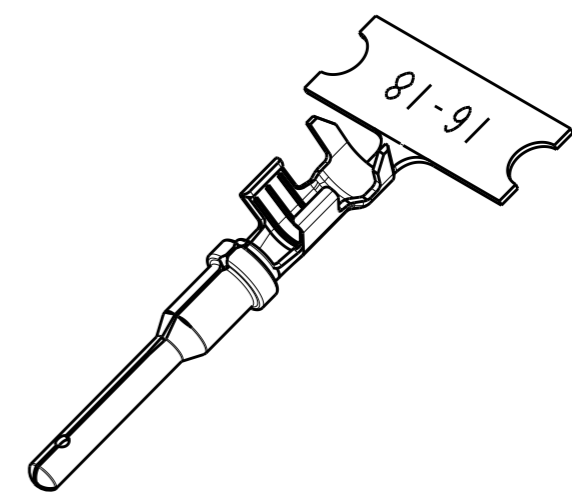
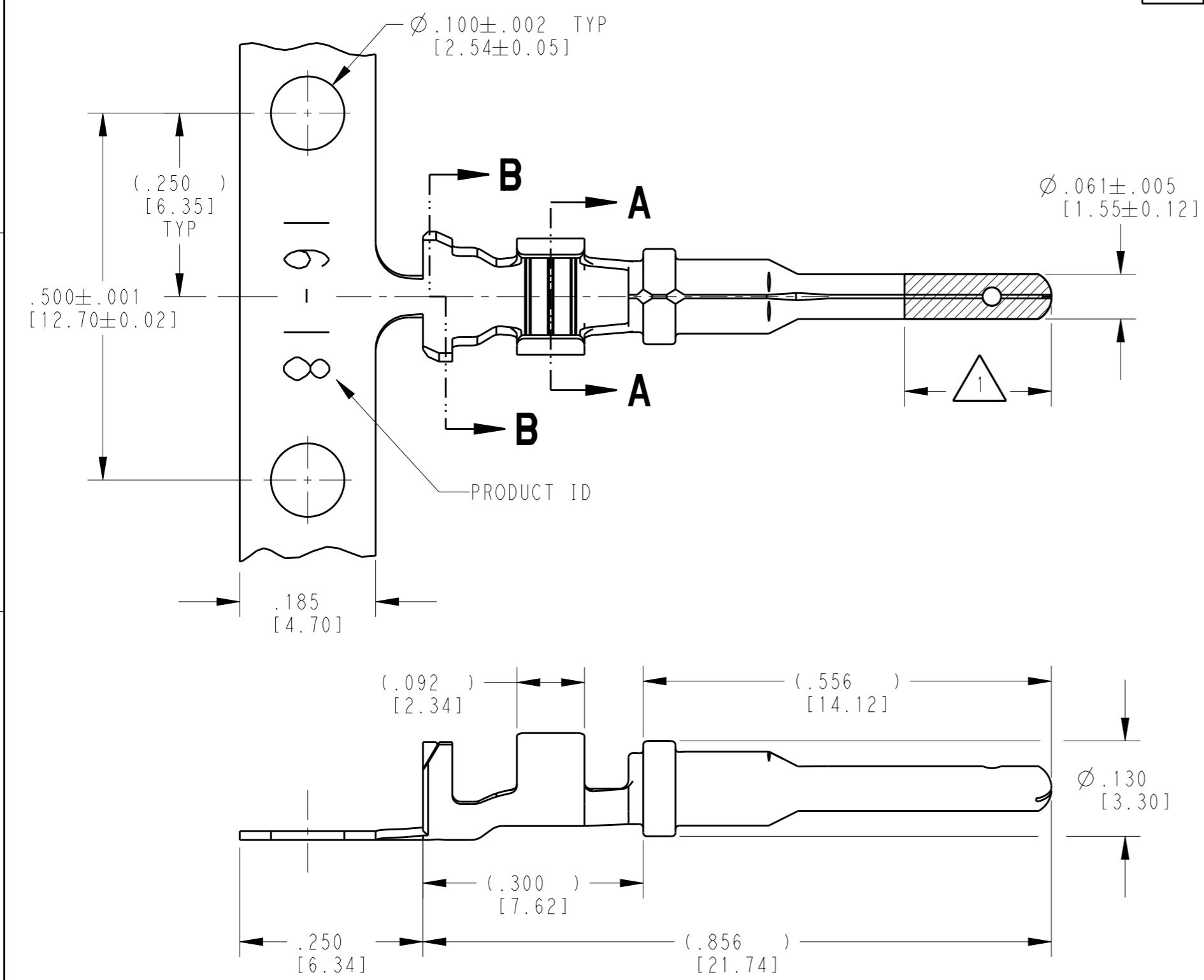
Email & Skype: info@chipsmall.com Web: www.chipsmall.com

Address: A1208, Overseas Decoration Building, #122 Zhenhua RD., Futian, Shenzhen, China

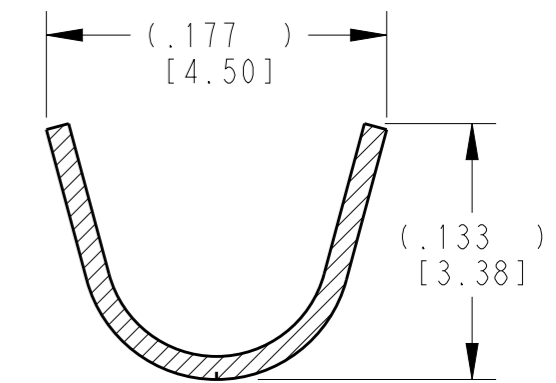


THIS DRAWING IS UNPUBLISHED  
 RELEASED FOR PUBLICATION 2015  
 © COPYRIGHT 1999 BY TE CONNECTIVITY ALL RIGHTS RESERVED.

LOC	DIST	REVISIONS			
P	LTR	DESCRIPTION	DATE	DWN	APVD
	F	REVISED PER E.O. P16998	08DEC2000	SP	RDR
	G	REVISED PER E.O. P19555	11JUL2007	JA	RDR
	H	REVISED PER E.O. P20396	25JUN2010	JA	RDR
	J	REVISED PER ECO-15-007761	289MAY2015	RL	DM



**SECTION A-A**  
WIRE BARREL



**SECTION B-B**  
INSULATION BARREL

- 3 MATERIAL: .012 [0.30] THICK COPPER ALLOY
- 2. WIRE RANGE: 18 AWG TO 14 AWG [0.75-2.0 mm<sup>2</sup>]  
INSULATION RANGE:  $\phi .075-.140$  [ $\phi 1.91-3.56$ ]
- 1 APPLIES ONLY TO SELECTIVE GOLD 1060-16-0144.  
INDICATED DIMENSION SHOWS GOLD PLATED AREA.

NOTES: UNLESS OTHERWISE SPECIFIED

THIS DRAWING IS A CONTROLLED DOCUMENT.		DWN M. BLUM 04NOV1999
DIMENSIONS: INCHES [mm]		CHK A. ROLINSKI 08DEC2000
TOLERANCES UNLESS OTHERWISE SPECIFIED:		APVD R. REED 08DEC2000
0 PLC ±		PRODUCT SPEC 0425-015-0000
1 PLC ±		APPLICATION SPEC 114-151000
2 PLC ±		WEIGHT 0.33 g
3 PLC ±.025 [0.64]		
4 PLC ±		
ANGLES ±		
MATERIAL 3	FINISH SEE TABLE	

TE INTERNAL PN	DEUTSCH PN	PLATING
1060-16-0122	1060-16-0122	NICKEL
1060-16-0144	1060-16-0144	SELECTIVE GOLD
1060-16-0177	1060-16-0177	TIN



NAME STAMPED CONTACT PIN SIZE 16			
SIZE A3	CAGE CODE 4AFU8	DRAWING NO 1060-16-01XX	RESTRICTED TO -
Customer Drawing		SCALE 6:1	SHEET 1 OF 1 REV J