



Chipsmall Limited consists of a professional team with an average of over 10 year of expertise in the distribution of electronic components. Based in Hongkong, we have already established firm and mutual-benefit business relationships with customers from,Europe,America and south Asia,supplying obsolete and hard-to-find components to meet their specific needs.

With the principle of “Quality Parts,Customers Priority,Honest Operation,and Considerate Service”,our business mainly focus on the distribution of electronic components. Line cards we deal with include Microchip,ALPS,ROHM,Xilinx,Pulse,ON,Everlight and Freescale. Main products comprise IC,Modules,Potentiometer,IC Socket,Relay,Connector.Our parts cover such applications as commercial,industrial, and automotives areas.

We are looking forward to setting up business relationship with you and hope to provide you with the best service and solution. Let us make a better world for our industry!



Contact us

Tel: +86-755-8981 8866 Fax: +86-755-8427 6832

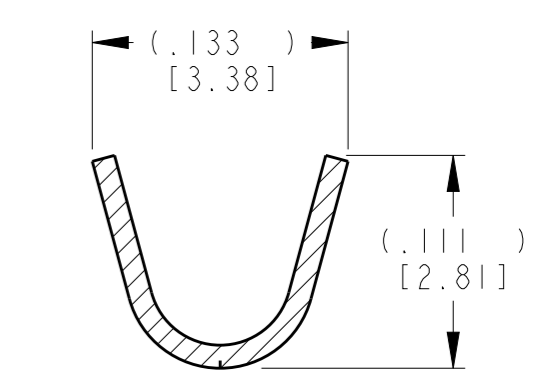
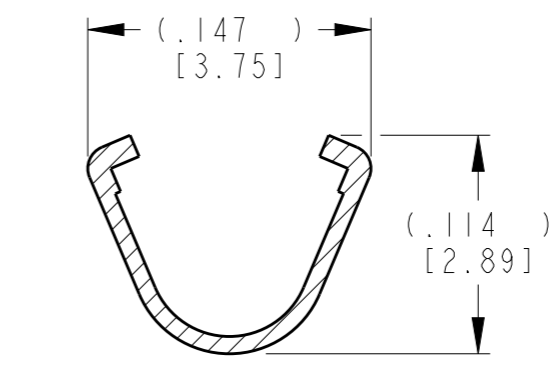
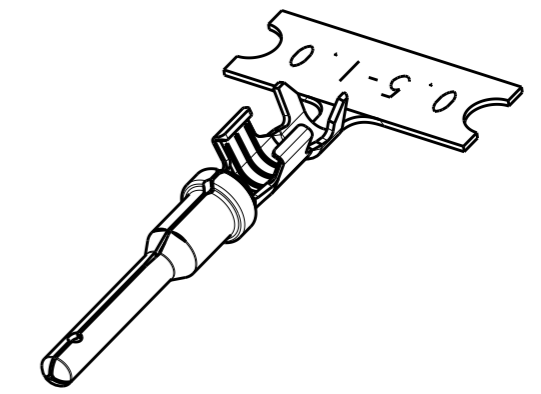
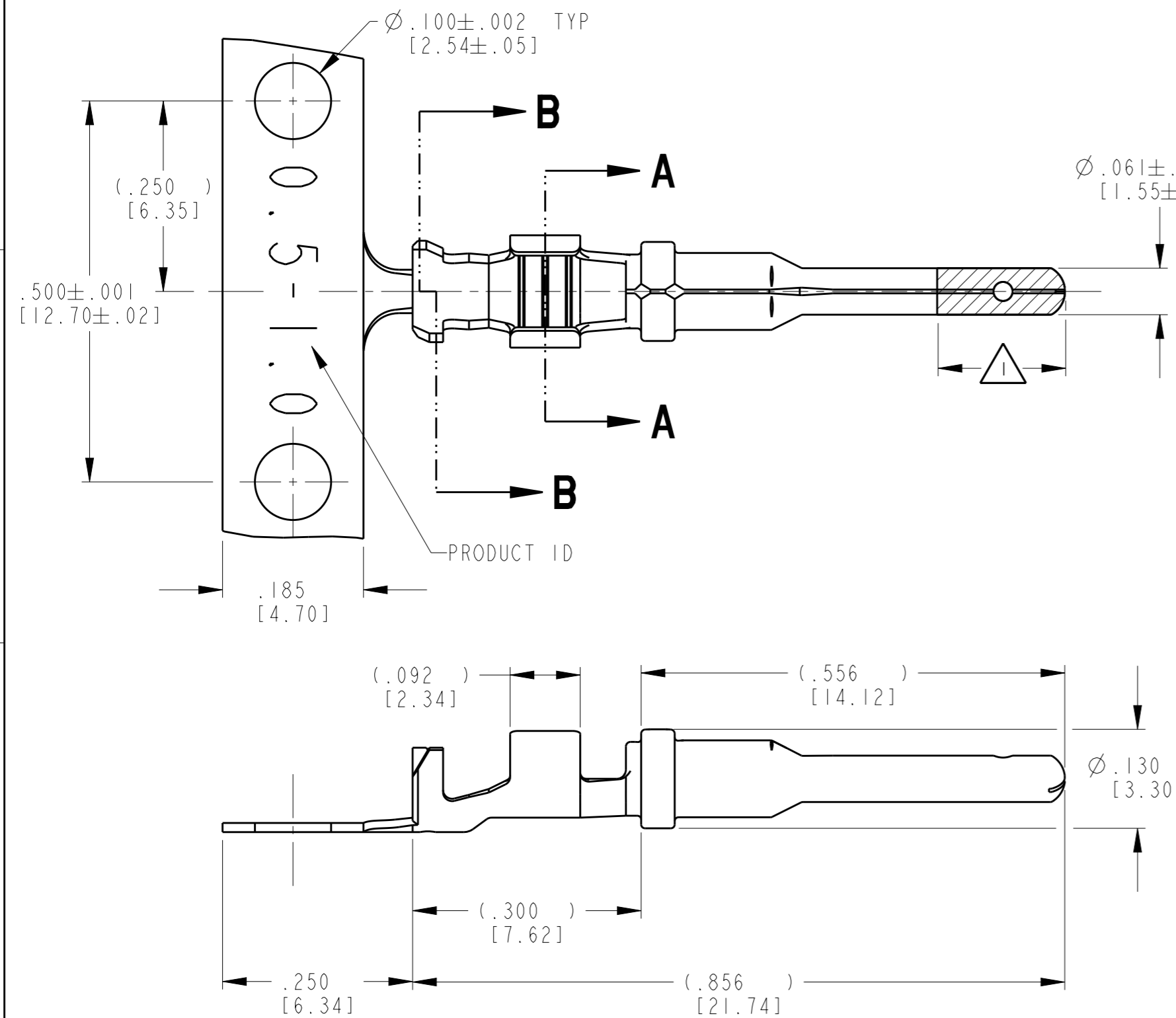
Email & Skype: info@chipsmall.com Web: www.chipsmall.com

Address: A1208, Overseas Decoration Building, #122 Zhenhua RD., Futian, Shenzhen, China



THIS DRAWING IS UNPUBLISHED
 RELEASED FOR PUBLICATION 2015
 © COPYRIGHT 2000 BY TE CONNECTIVITY ALL RIGHTS RESERVED.

LOC	DIST	REVISIONS			
P	LTR	DESCRIPTION	DATE	DWN	APVD
	C	REVISED/REDRAWN PER E.O. P16999	08DEC2000	SP	RDR
	D	REVISED PER E.O. P19510	18MAY2007	JA	RDR
	E	REVISED PER E.O. P20396	25JUN2010	JA	RDR
	F	REVISED PER ECO-15-007761	28MAY2015	RL	DM



SECTION A-A
WIRE BARREL

SECTION B-B
INSULATION BARREL

TE INTERNAL PN	DEUTSCH PN	PLATING
1060-16-0622	1060-16-0622	NICKEL
1060-16-0644	1060-16-0644	SELECTIVE GOLD
1060-16-0677	1060-16-0677	TIN
1060-16-0688	1060-16-0688	PALLADIUM NICKEL



- 3 MATERIAL: .012 [0.30] THICK COPPER ALLOY
- 2. WIRE RANGE: 20 AWG TO 16 AWG [0.5-1.0 mm²]
INSULATION RANGE: \varnothing .055-.100 [\varnothing 1.40-2.54]
- 1 APPLIED ONLY TO SELECTIVE GOLD 1060-16-0644.
INDICATED DIMENSION SHOWS GOLD PLATED AREA.

NOTES: UNLESS OTHERWISE SPECIFIED

THIS DRAWING IS A CONTROLLED DOCUMENT.		DWN 28NOV2000 STEVE PALLUTH	STE TE Connectivity		
DIMENSIONS: INCHES[mm]		CHK 06DEC2000 VLADIMIR TOMSA			
TOLERANCES UNLESS OTHERWISE SPECIFIED:		APVD 08DEC2000 R. REED	NAME STAMPED CONTACT PIN SIZE 16		
0 PLC ± 1 PLC ± 2 PLC ± 3 PLC ±.025 [0.64] 4 PLC ± ANGLES ±		PRODUCT SPEC 0425-015-0000	SIZE A3	CAGE CODE 4AFU8	DRAWING NO 1060-16-06XX
MATERIAL 3		FINISH SEE TABLE	WEIGHT 0.32 g	RESTRICTED TO -	
Customer Drawing			SCALE 6:1	SHEET 1	OF 1
			REV F		