



Chipsmall Limited consists of a professional team with an average of over 10 year of expertise in the distribution of electronic components. Based in Hongkong, we have already established firm and mutual-benefit business relationships with customers from,Europe,America and south Asia,supplying obsolete and hard-to-find components to meet their specific needs.

With the principle of “Quality Parts,Customers Priority,Honest Operation,and Considerate Service”,our business mainly focus on the distribution of electronic components. Line cards we deal with include Microchip,ALPS,ROHM,Xilinx,Pulse,ON,Everlight and Freescale. Main products comprise IC,Modules,Potentiometer,IC Socket,Relay,Connector.Our parts cover such applications as commercial,industrial, and automotives areas.

We are looking forward to setting up business relationship with you and hope to provide you with the best service and solution. Let us make a better world for our industry!



## Contact us

Tel: +86-755-8981 8866 Fax: +86-755-8427 6832

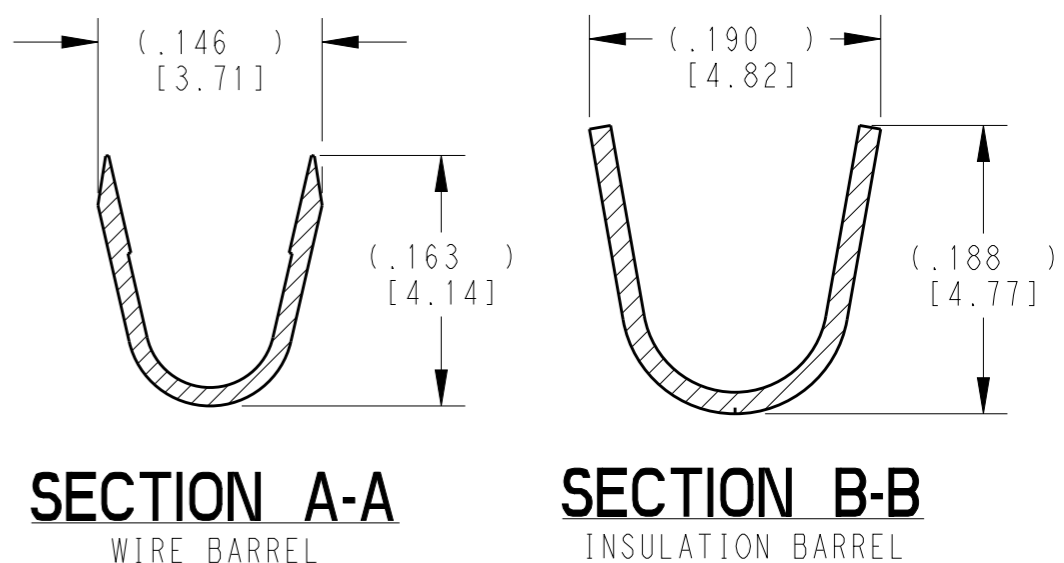
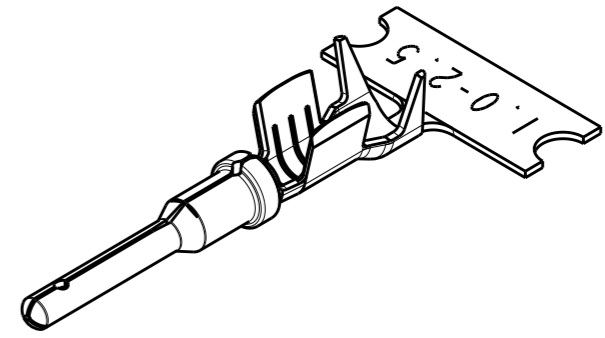
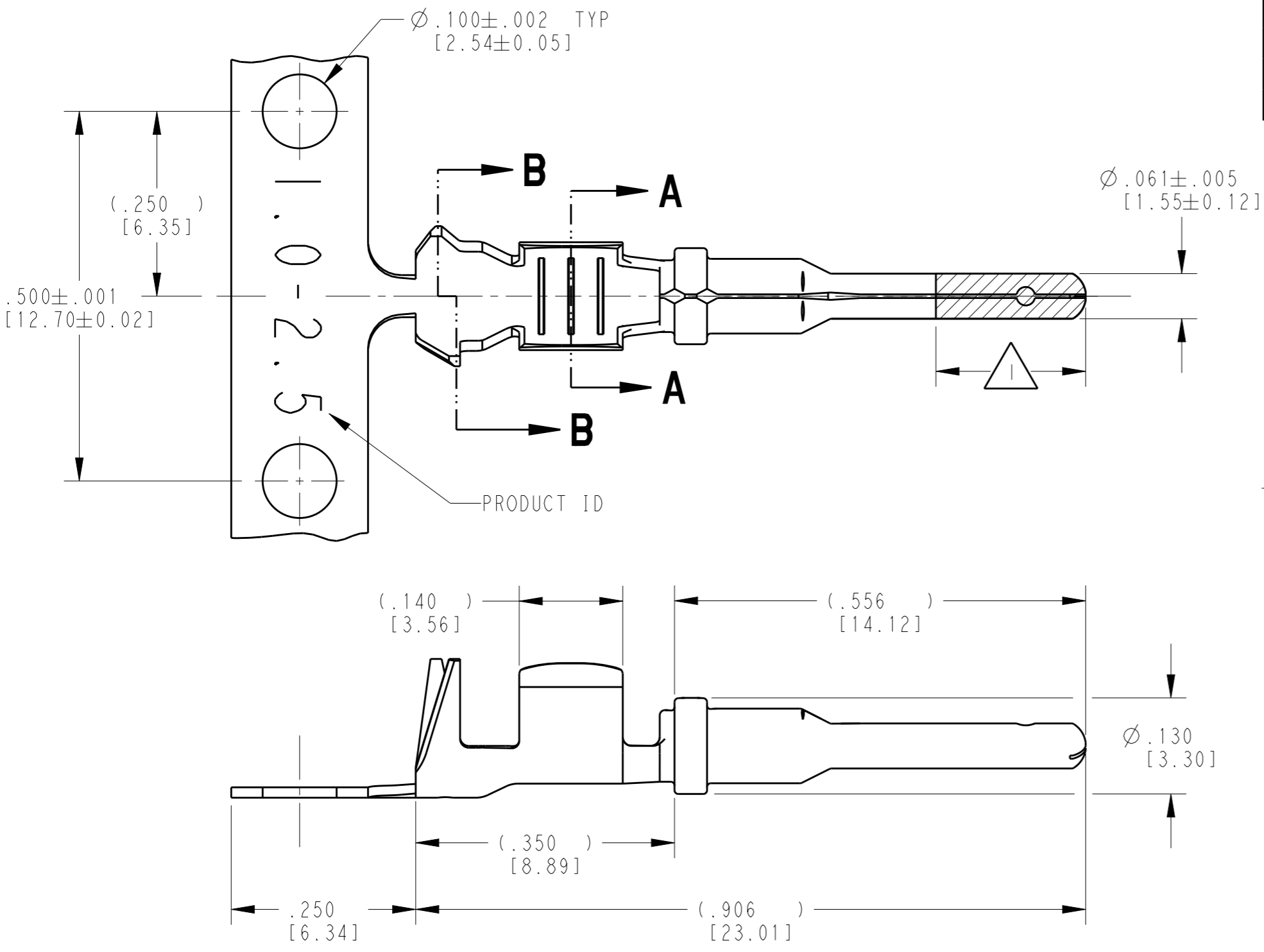
Email & Skype: info@chipsmall.com Web: www.chipsmall.com

Address: A1208, Overseas Decoration Building, #122 Zhenhua RD., Futian, Shenzhen, China



THIS DRAWING IS UNPUBLISHED  
© COPYRIGHT 2001 BY TE CONNECTIVITY  
RELEASED FOR PUBLICATION 2015  
ALL RIGHTS RESERVED.

LOC		DIST		REVISIONS		
P	LTR	DESCRIPTION	DATE	DWN	APVD	
	NC	REVISED PER E.O. P16999	14MAR2002	SP	RDR	
	A	REVISED PER E.O. P19555	11JUL2007	JA	RDR	
	B	REVISED PER E.O. P20396	26JUN2010	JA	RDR	
	C	REVISED PER ECO-15-007761	28MAY2015	RL	DM	



TE INTERNAL PN	DEUTSCH PN	PLATING
1060-16-1222	1060-16-1222	NICKEL
1060-16-1244	1060-16-1244	SELECTIVE GOLD
1060-16-1277	1060-16-1277	TIN

- 3 MATERIAL: .014 [0.36] THICK CU ALLOY
- 2. WIRE RANGE: 16 AWG TO 12 AWG [1.0-2.5 mm<sup>2</sup>]  
INSULATION RANGE:  $\phi .075$ -.140 [ $\phi$ 1.91-3.56]
- 1 APPLIES ONLY TO SELECTIVE GOLD 1060-16-1244.  
INDICATED DIMENSION SHOWS GOLD PLATED AREA.

NOTES: UNLESS OTHERWISE SPECIFIED

THIS DRAWING IS A CONTROLLED DOCUMENT.

DWN 29MAR2001 VLADIMIR TOMSA  
CHK 14MAR2002 BRICE BYFORD  
APVD 14MAR2002 R. REED

PRODUCT SPEC 0425-015-0000  
APPLICATION SPEC 0425-039-0000  
WEIGHT 0.40 g

**STE** TE Connectivity

NAME STAMPED CONTACT PIN SIZE 16

SIZE A3 CAGE CODE 4AFU8 DRAWING NO. 1060-16-12XX RESTRICTED TO -

Customer Drawing SCALE 6:1 SHEET 1 OF 1 REV C