



Chipsmall Limited consists of a professional team with an average of over 10 year of expertise in the distribution of electronic components. Based in Hongkong, we have already established firm and mutual-benefit business relationships with customers from,Europe,America and south Asia,supplying obsolete and hard-to-find components to meet their specific needs.

With the principle of “Quality Parts,Customers Priority,Honest Operation,and Considerate Service”,our business mainly focus on the distribution of electronic components. Line cards we deal with include Microchip,ALPS,ROHM,Xilinx,Pulse,ON,Everlight and Freescale. Main products comprise IC,Modules,Potentiometer,IC Socket,Relay,Connector.Our parts cover such applications as commercial,industrial, and automotives areas.

We are looking forward to setting up business relationship with you and hope to provide you with the best service and solution. Let us make a better world for our industry!



## Contact us

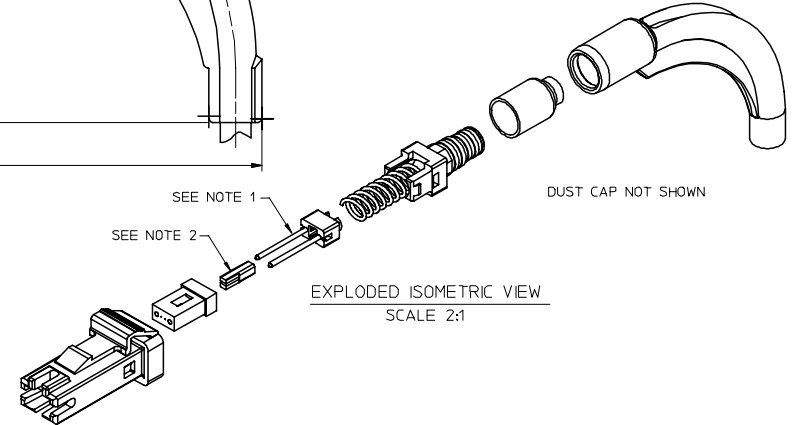
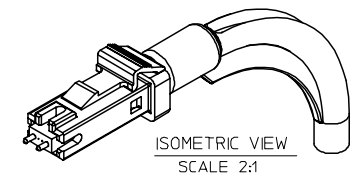
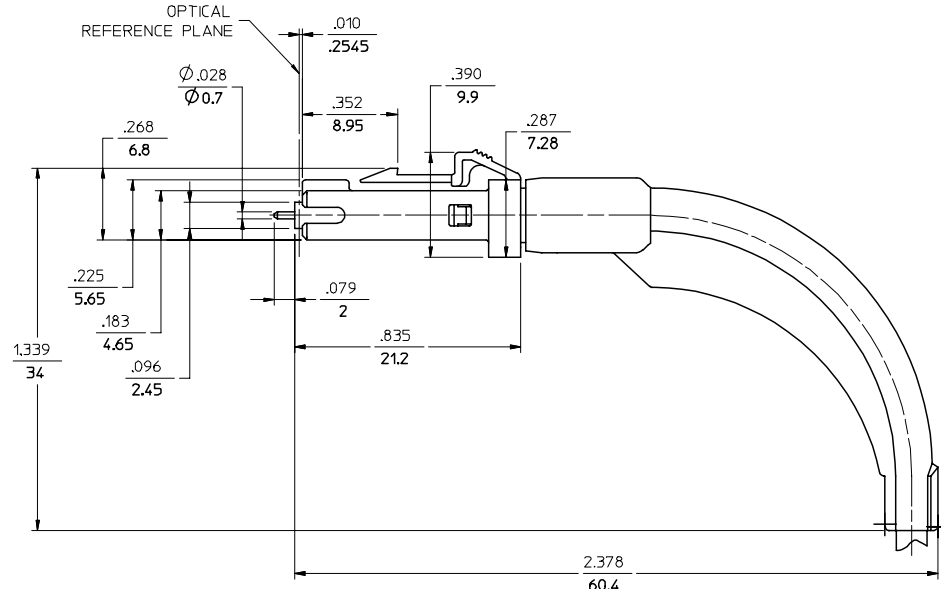
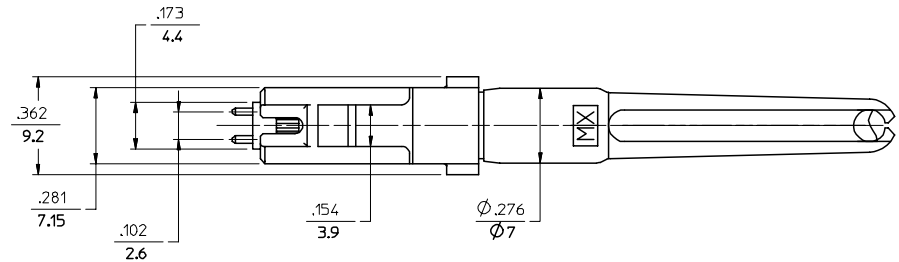
Tel: +86-755-8981 8866 Fax: +86-755-8427 6832

Email & Skype: info@chipsmall.com Web: www.chipsmall.com

Address: A1208, Overseas Decoration Building, #122 Zhenhua RD., Futian, Shenzhen, China



CONNECTOR P/N	CONNECTOR TYPE	BOOT COLOR
106002-3400	MALE MULTIMODE	BEIGE
106003-3400	FEMALE MULTIMODE	BEIGE
106002-5400	MALE SINGLEMODE	BLUE
106003-5400	FEMALE SINGLEMODE	BLUE
106002-3430	MALE MULTIMODE	BLACK
106003-3430	FEMALE MULTIMODE	BLACK



AVAILABLE CABLE TYPES

CABLE TYPE 1	CABLE TYPE 2	CABLE TYPE 3
2 FIBER DUAL LINK WITH Ø2.8mm JACKET	2 FIBER ZIPCORD 3.5mm X 1.6mm	2 FIBER RIBBON WITH Ø 2.9mm JACKET

- NOTES:
- DUST CAP NOT SHOWN, BUT INCLUDED.
  - MALE CONNECTOR SHOWN, FEMALE CONNECTOR DOES NOT CONTAIN PINS.
  - CABLE TYPE 1 & 2 DO NOT REQUIRE FERRULE BOOT.
  - SEE PROCEDURE 0A1131 FOR ASSEMBLY INSTRUCTIONS.

ENTER DESCRIPTION FC NO: MF2006-0340 DRAWN/RPACIFICI 2005/11/29 CHKD: 2005/11/29 APPR: JGUMIN 2005/11/29	QUALITY SYMBOLS ▽=0 ▽=0	GENERAL TOLERANCES (UNLESS SPECIFIED) mm INCH 4 PLACES ± --- ± --- 3 PLACES ± --- ± --- 2 PLACES ± --- ± --- 1 PLACE ± --- ± --- ANGULAR ±1/2°	DIMENSION STYLE IN/MM DRAWN BY RPACIFICI DATE 2005/10/20 CHECKED BY DATE APPROVED BY DATE	SCALE 3:1 DESIGN UNITS INCH THIRD ANGLE PROJECTION
		DRAFT WHERE APPLICABLE MUST REMAIN WITHIN DIMENSIONS	MATERIAL NO. SEE TABLE SIZE C	DOCUMENT NO. SD-10600X-X4X0 THIS DRAWING CONTAINS INFORMATION THAT IS PROPRIETARY TO MOLEX INCORPORATED AND SHOULD NOT BE USED WITHOUT WRITTEN PERMISSION