



Chipsmall Limited consists of a professional team with an average of over 10 year of expertise in the distribution of electronic components. Based in Hongkong, we have already established firm and mutual-benefit business relationships with customers from,Europe,America and south Asia,supplying obsolete and hard-to-find components to meet their specific needs.

With the principle of “Quality Parts,Customers Priority,Honest Operation,and Considerate Service”,our business mainly focus on the distribution of electronic components. Line cards we deal with include Microchip,ALPS,ROHM,Xilinx,Pulse,ON,Everlight and Freescale. Main products comprise IC,Modules,Potentiometer,IC Socket,Relay,Connector.Our parts cover such applications as commercial,industrial, and automotives areas.

We are looking forward to setting up business relationship with you and hope to provide you with the best service and solution. Let us make a better world for our industry!



Contact us

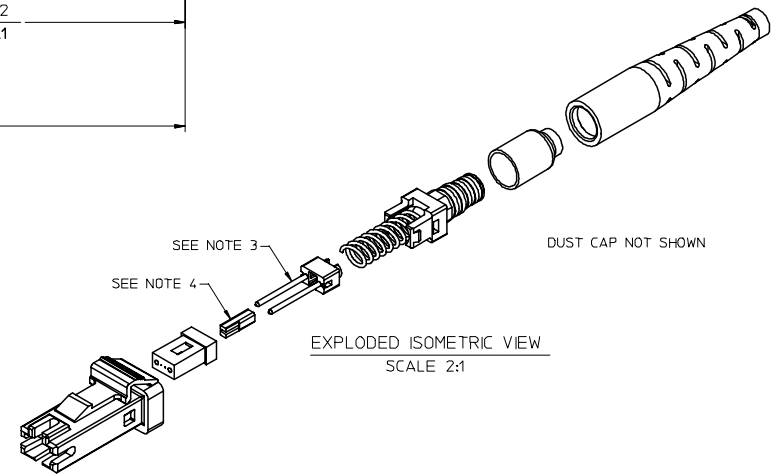
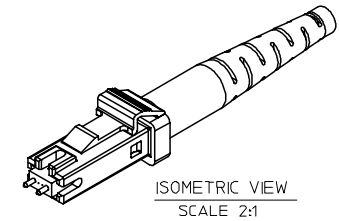
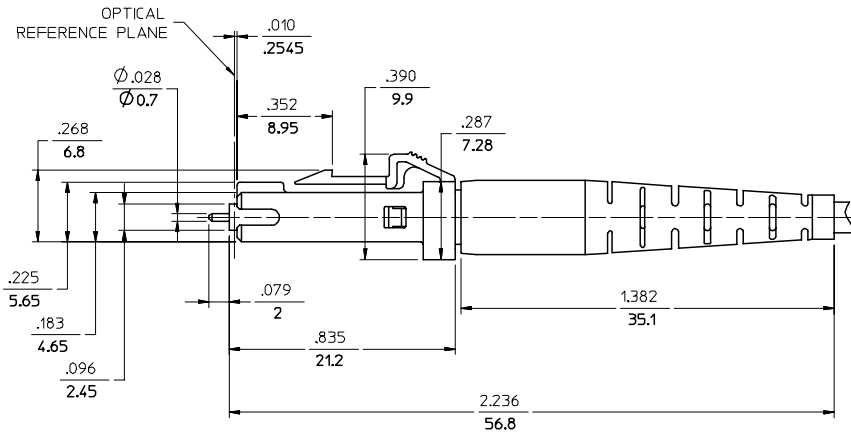
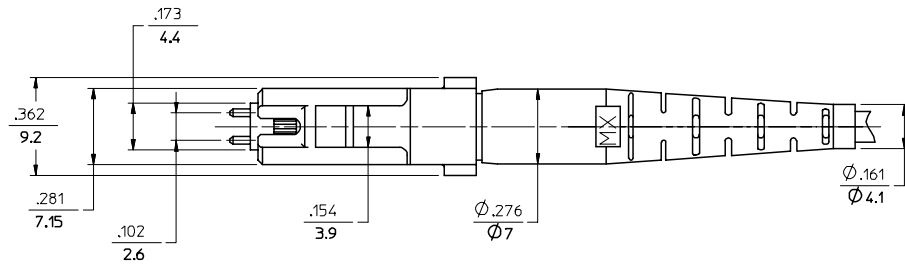
Tel: +86-755-8981 8866 Fax: +86-755-8427 6832

Email & Skype: info@chipsmall.com Web: www.chipsmall.com

Address: A1208, Overseas Decoration Building, #122 Zhenhua RD., Futian, Shenzhen, China



| CONNECTOR P/N | BOOT COLOR | CONNECTOR TYPE |
|---------------|------------|----------------|
| 106002-3000 | BEIGE | MALE MM |
| 106003-3000 | | FEMALE MM |
| 106002-5000 | BLUE | MALE SM |
| 106003-5000 | | FEMALE SM |
| 106002-3030 | BLACK | MALE MM |
| 106002-3040* | | MALE MM |
| 106003-3030 | | FEMALE MM |
| 106003-3040* | RED | FEMALE MM |
| 106002-3031 | | MALE MM |
| 106003-3033 | | FEMALE MM |
| 106002-3032 | BLUE | MALE MM |
| 106003-3034 | | FEMALE MM |



AVAILABLE CABLE TYPES

| CABLE TYPE 1 | CABLE TYPE 2 | CABLE TYPE 3 |
|--------------------------------------|------------------------------|-----------------------------------|
| 2 FIBER DUAL LINK WITH Ø2.8mm JACKET | 3.5mm X 1.6mm 2 FIBER ZPCORD | 2 FIBER RIBBON WITH Ø2.9mm JACKET |

NOTES:

- DUST CAP NOT SHOWN, BUT INCLUDED.
- MALE CONNECTOR SHOWN. FEMALE CONNECTOR DOES NOT CONTAIN PINS.
- CABLE TYPE 1 & 2 DO NOT REQUIRE FERRULE BOOT.
- SEE PROCEDURE 0A1131 FOR ASSEMBLY INSTRUCTIONS.
- P/N 106002-3040 AND 106003-3040 ARE BULK PACKED.

| | | | | | | | |
|---|---------------------|--|--|---|--------------------------|--------------------------------|------------------------|
| ENTER DESCRIPTION EC NO: MF2006-0340 DRAWN/RPAC I/C 2005/11/29 CHKD: 2005/11/29 APPR: JGUMIN 2005/11/29 REVISIONS A | QUALITY SYMBOLS | GENERAL TOLERANCES (UNLESS SPECIFIED) | | DIMENSION STYLE IN/MM | SCALE 3:1 | DESIGN UNITS INCH | THIRD ANGLE PROJECTION |
| | | 4 PLACES ± --- ± --- 3 PLACES ± --- ± --- 2 PLACES ± --- ± --- 1 PLACE ± --- ± --- ANGULAR ±1/2° | DRAWN BY RPAC I/C I DATE 2005/10/20 | CHECKED BY DATE | TITLE MT-RJ CONNECTOR | | |
| DRAFT WHERE APPLICABLE MUST REMAIN WITHIN DIMENSIONS | | APPROVED BY DATE | | MATERIAL NO. SEE TABLE | | DOCUMENT NO. SD-10600X-X0X0 | |
| | | SIZE C | | THIS DRAWING CONTAINS INFORMATION THAT IS PROPRIETARY TO MOLEX INCORPORATED AND SHOULD NOT BE USED WITHOUT WRITTEN PERMISSION | | SHEET NO. 1 OF 1 | |