



Chipsmall Limited consists of a professional team with an average of over 10 year of expertise in the distribution of electronic components. Based in Hongkong, we have already established firm and mutual-benefit business relationships with customers from,Europe,America and south Asia,supplying obsolete and hard-to-find components to meet their specific needs.

With the principle of “Quality Parts,Customers Priority,Honest Operation,and Considerate Service”,our business mainly focus on the distribution of electronic components. Line cards we deal with include Microchip,ALPS,ROHM,Xilinx,Pulse,ON,Everlight and Freescale. Main products comprise IC,Modules,Potentiometer,IC Socket,Relay,Connector.Our parts cover such applications as commercial,industrial, and automotives areas.

We are looking forward to setting up business relationship with you and hope to provide you with the best service and solution. Let us make a better world for our industry!



## Contact us

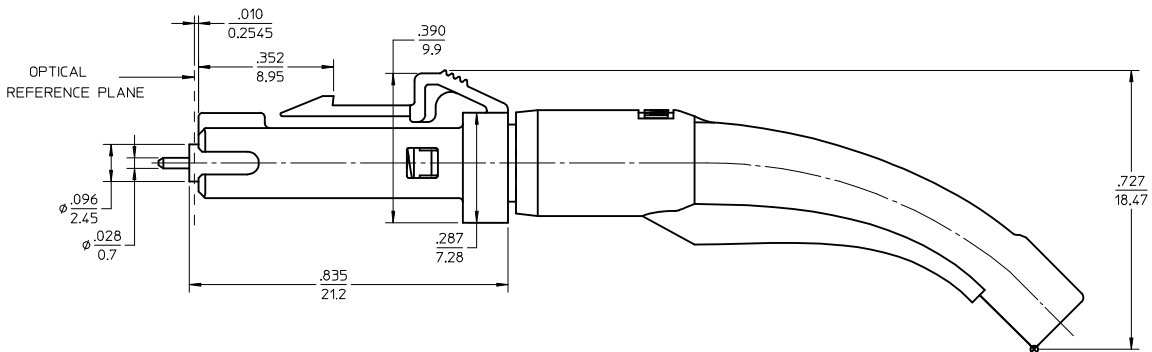
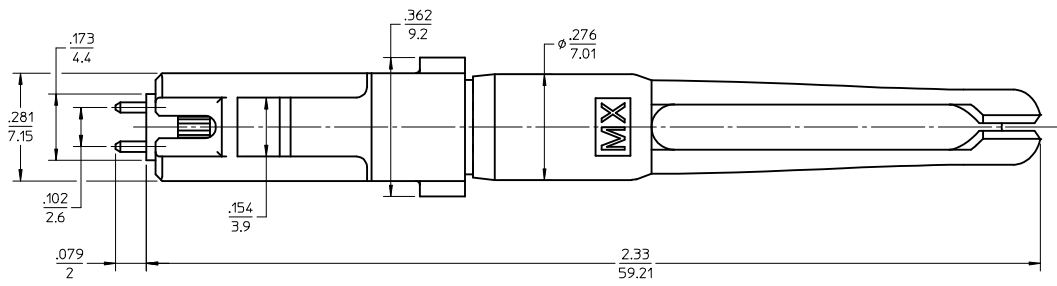
Tel: +86-755-8981 8866 Fax: +86-755-8427 6832

Email & Skype: info@chipsmall.com Web: www.chipsmall.com

Address: A1208, Overseas Decoration Building, #122 Zhenhua RD., Futian, Shenzhen, China

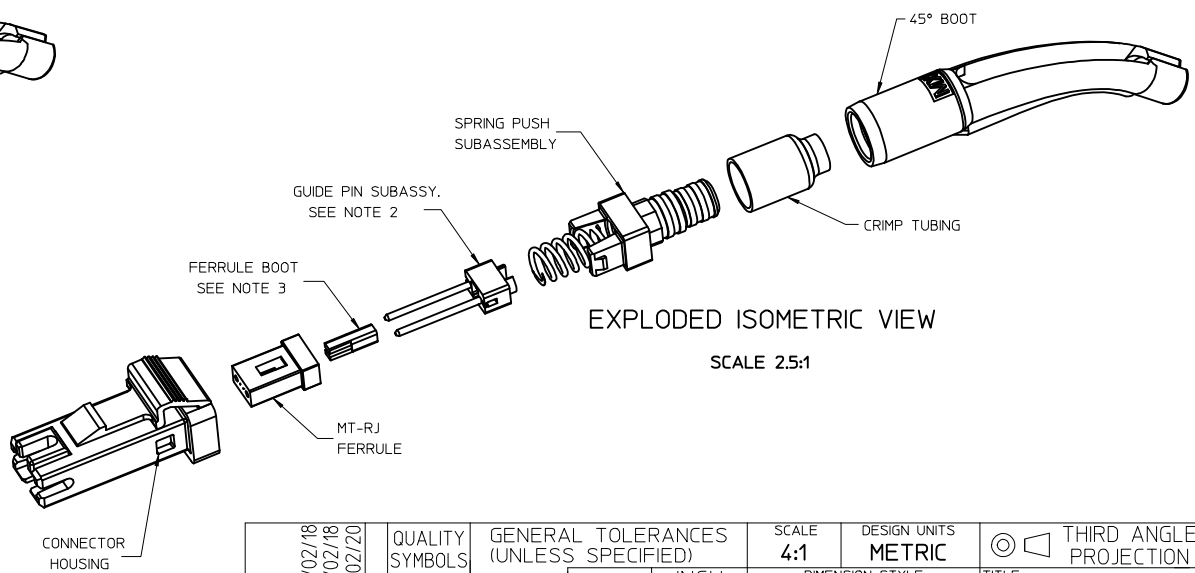
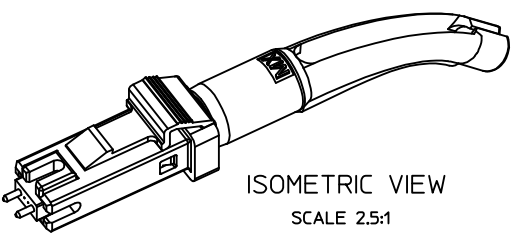


CONNECTOR P/N	CONNECTOR TYPE	BOOT COLOR	CABLE TYPE
106002-3300	MALE MULTIMODE	BEIGE	2 FIBER DUAL LINK Ø2.8mm JACKET & 2 FIBER RIBBON Ø2.9mm JKT
106003-3300	FEMALE MULTIMODE		
106002-3310	MALE MULTIMODE	BEIGE	2 FIBER ZIPCORDER 3.5mm X 1.6mm
106003-3310	FEMALE MULTIMODE		



AVAILABLE CABLE TYPES

CABLE TYPE 1	CABLE TYPE 2	CABLE TYPE 3
2 FIBER DUAL LINK Ø2.8mm JACKET	2 FIBER ZIPCORDER 3.5mm X 1.6mm	2 FIBER RIBBON Ø2.9mm JACKET



- NOTES:
- ALL DIMENSIONS ARE FOR REFERENCE ONLY.
  - MALE CONNECTOR SHOWN.  
FEMALE CONNECTOR DOES NOT CONTAIN PINS.
  - CABLE TYPE 1 & 2 DO NOT REQUIRE FERRULE BOOT.

EC NO: MF2009-0410 DRWN: KPEVZNER2009/02/18 CHKD: 2009/02/18 APPR: GUMIN 2009/02/20	QUALITY SYMBOLS	GENERAL TOLERANCES (UNLESS SPECIFIED)		SCALE 4:1	DESIGN UNITS METRIC	THIRD ANGLE PROJECTION	REVISE ON CAD ONLY
	▼ -0 ∇ -0	mm	INCH	DIMENSION STYLE IN/MM		TITLE	
		4 PLACES ± ---	± ---	DRAWN BY BG		DATE 07/01/2002	
		3 PLACES ± ---	± ---	CHECKED BY VCH		DATE 07/01/2002	
	2 PLACES ± ---	± ---	APPROVED BY SM		DATE 07/01/2002		
	1 PLACE ± ---	± ---	DRAFT WHERE APPLICABLE		MATERIAL NO. SEE TABLE SD-10600X-33X0		
	ANGULAR ±1/2°		MUST REMAIN WITHIN DIMENSIONS		DOCUMENT NO. SEE TABLE SD-10600X-33X0		
					SHEET NO. 1 OF 1		
					THIS DRAWING CONTAINS INFORMATION THAT IS PROPRIETARY TO MOLEX INCORPORATED AND SHOULD NOT BE USED WITHOUT WRITTEN PERMISSION		