



Chipsmall Limited consists of a professional team with an average of over 10 year of expertise in the distribution of electronic components. Based in Hongkong, we have already established firm and mutual-benefit business relationships with customers from,Europe,America and south Asia,supplying obsolete and hard-to-find components to meet their specific needs.

With the principle of “Quality Parts,Customers Priority,Honest Operation,and Considerate Service”,our business mainly focus on the distribution of electronic components. Line cards we deal with include Microchip,ALPS,ROHM,Xilinx,Pulse,ON,Everlight and Freescale. Main products comprise IC,Modules,Potentiometer,IC Socket,Relay,Connector.Our parts cover such applications as commercial,industrial, and automotives areas.

We are looking forward to setting up business relationship with you and hope to provide you with the best service and solution. Let us make a better world for our industry!



Contact us

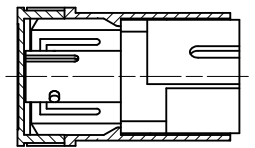
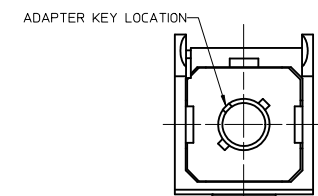
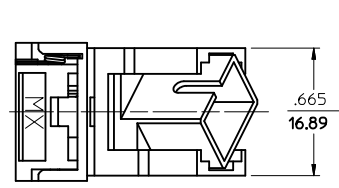
Tel: +86-755-8981 8866 Fax: +86-755-8427 6832

Email & Skype: info@chipsmall.com Web: www.chipsmall.com

Address: A1208, Overseas Decoration Building, #122 Zhenhua RD., Futian, Shenzhen, China

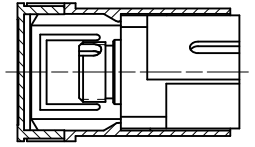
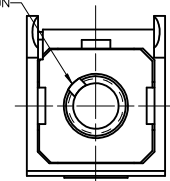


| BEZEL P/N | ADAPTER P/N | VERSION | SLEEVE MATERIAL | ADAPTER COLOR | LABEL P/N |
|-------------|-------------|------------|-----------------|---------------|-------------|
| 106004-3080 | 106160-0980 | 1 (ST-SC) | PHOSPHOR BRONZE | METAL | 106004-3013 |
| 106004-3081 | 106161-0980 | | ZIRCONIA | | |
| 106004-3082 | 106160-0970 | 2 (FC-SC) | PHOSPHOR BRONZE | BLACK | |
| 106004-3083 | 106161-0970 | | ZIRCONIA | | |
| 106004-3084 | 106171-0160 | 3 (SC-SC) | PHOSPHOR BRONZE | RED | |
| 106004-3085 | 106170-0160 | | ZIRCONIA | | |
| 106004-3086 | 106171-0170 | | PHOSPHOR BRONZE | | |
| 106004-3087 | 106170-0170 | 4(MTP-MTP) | ZIRCONIA | BLUE | |
| 106004-3075 | 106170-0140 | | N/A | | |
| 106004-3088 | 86181-0000 | 3 (SC-SC) | ZIRCONIA | RED | |
| 106004-3089 | 86181-0007 | | | | |
| 106004-3076 | 106170-0170 | 3 (SC-SC) | ZIRCONIA | RED | |
| 106004-3093 | 106171-0160 | 3 (SC-SC) | PHOSPHOR BRONZE | BLACK | 106170-0404 |



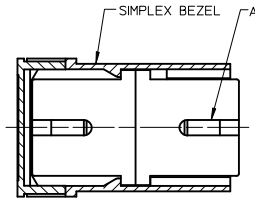
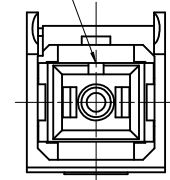
VIEW A
VERSION 1 (ST-SC)
DOOR REMOVED
ROTATED 30° CW

SECTION B-B
VERSION 1 (ST-SC)
ROTATED 30° CW



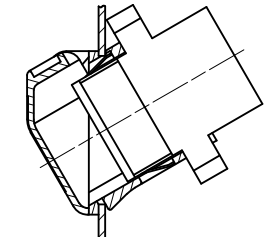
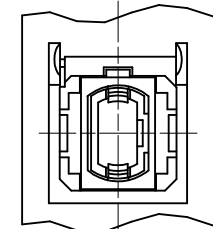
VIEW A
VERSION 2 (FC-SC)
DOOR REMOVED
ROTATED 30° CW

SECTION B-B
VERSION 2 (FC-SC)
ROTATED 30° CW



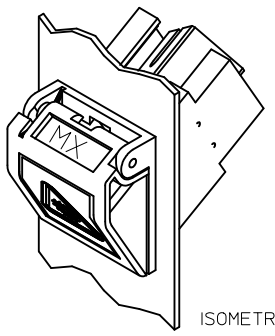
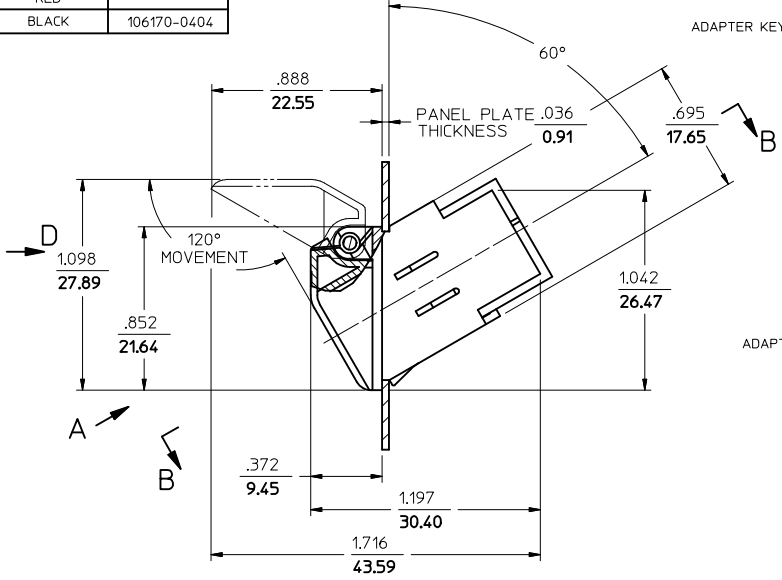
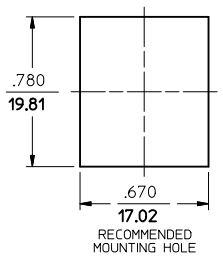
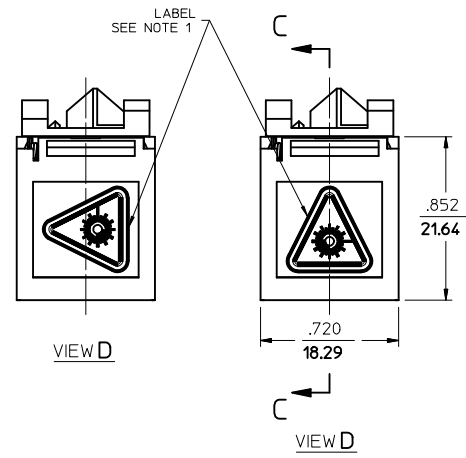
VIEW A
VERSION 3 (SC-SC)
DOOR REMOVED
ROTATED 30° CW

SECTION B-B
VERSION 3 (SC-SC)
ROTATED 30° CW



VIEW A
VERSION 4 (MTP-MTP)
DOOR REMOVED
ROTATED 30° CW
SEE NOTE 2

SECTION C-C
VERSION 4 (MTP-MTP)
SEE NOTE 2



ISOMETRIC VIEW

- NOTES:
- LABEL TO BE INSTALLED BY CUSTOMER.
 - MTP-MTP ADAPTER (VERSION 4) TO BE ASSEMBLED BY CUSTOMER, AFTER BEZEL IS INSTALLED IN PANEL CUTOUT.
 - FOR VERSIONS 1, 2, AND 3 ADAPTERS TO BE ASSEMBLED WITH BEZEL. DUST CAPS ON VERSIONS 1, 2, AND 3 TO BE REMOVED ON DOOR SIDE.

| | | | | | | | | | |
|--|-------------------------------|---|----------------------|---------------------------|--------------------|------------------------------------|----------------------|------------------------|--|
| ENTER DESCRIPTION EC NO: MF2012-0258 DRW:KPEVZNER 2011/11/11 CHKD: APPR: IGUMIN 2011/11/14 | QUALITY SYMBOLS ▽=0 ▽=0 | GENERAL TOLERANCES (UNLESS SPECIFIED) | | DIMENSION STYLE IN/MM | | SCALE 4:1 | DESIGN UNITS INCH | THIRD ANGLE PROJECTION | |
| | | 4 PLACES ± --- ± --- | 3 PLACES ± --- ± --- | DRAWN BY PGIBLIN | DATE 2005/11/08 | TITLE SIMPLEX BEZEL ADAPTER KIT | | | |
| REV | DESCRIPTION | 2 PLACES ± --- ± --- | 1 PLACE ± --- ± --- | APPROVED BY IGUMIN | DATE 2011/11/14 | MOLEX INCORPORATED | | | |
| | | ANGULAR ±1/2° | | MATERIAL NO. SEE TABLE | | DOCUMENT NO. SD-106004-308X | SHEET NO. 1 OF 1 | | |
| DRAFT WHERE APPLICABLE MUST REMAIN WITHIN DIMENSIONS | | THIS DRAWING CONTAINS INFORMATION THAT IS PROPRIETARY TO MOLEX INCORPORATED AND SHOULD NOT BE USED WITHOUT WRITTEN PERMISSION | | | | | | | |