



Chipsmall Limited consists of a professional team with an average of over 10 year of expertise in the distribution of electronic components. Based in Hongkong, we have already established firm and mutual-benefit business relationships with customers from,Europe,America and south Asia,supplying obsolete and hard-to-find components to meet their specific needs.

With the principle of “Quality Parts,Customers Priority,Honest Operation,and Considerate Service”,our business mainly focus on the distribution of electronic components. Line cards we deal with include Microchip,ALPS,ROHM,Xilinx,Pulse,ON,Everlight and Freescale. Main products comprise IC,Modules,Potentiometer,IC Socket,Relay,Connector.Our parts cover such applications as commercial,industrial, and automotives areas.

We are looking forward to setting up business relationship with you and hope to provide you with the best service and solution. Let us make a better world for our industry!



Contact us

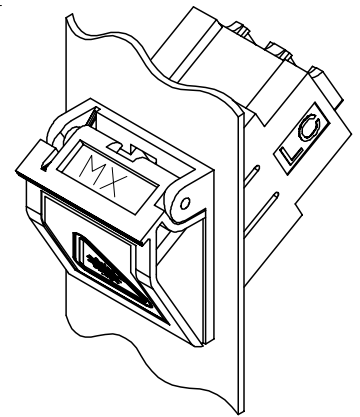
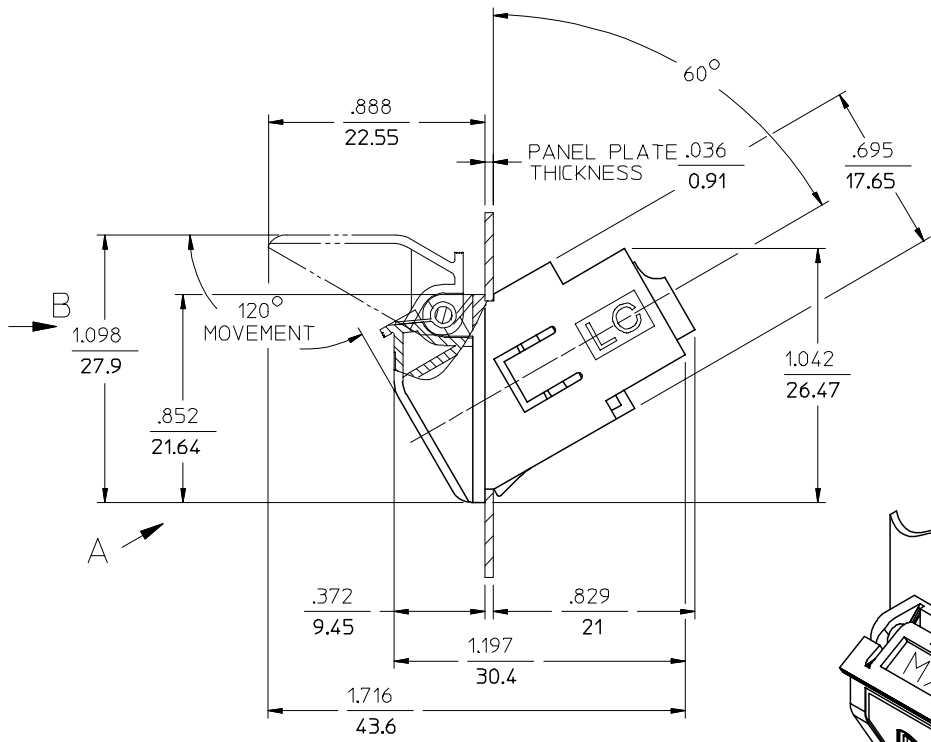
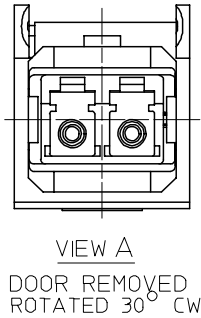
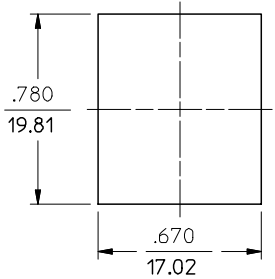
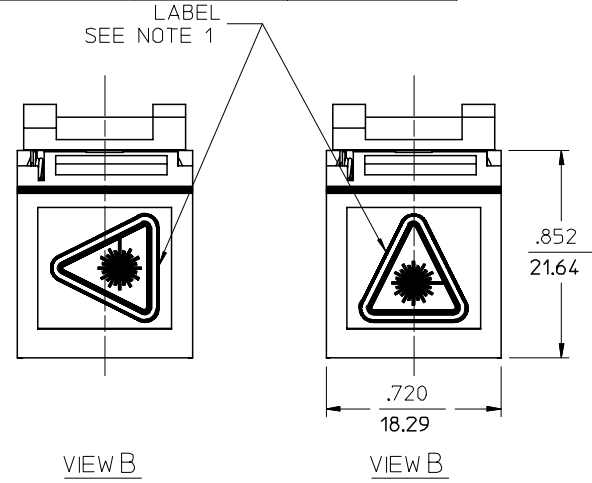
Tel: +86-755-8981 8866 Fax: +86-755-8427 6832

Email & Skype: info@chipsmall.com Web: www.chipsmall.com

Address: A1208, Overseas Decoration Building, #122 Zhenhua RD., Futian, Shenzhen, China



KIT P/N	BEZEL FRAME/DOOR COLOR	DOOR TYPE	SLEEVE MATERIAL
106004-3576	METAL/METAL	NO LOGO	ZIRCONIA
106004-3577			PHOSPHOR BRONZE
106004-3575	METAL/BLACK	MX LOGO	ZIRCONIA
106004-3578	METAL/METAL		PHOSPHOR BRONZE
106004-3579			PHOSPHOR BRONZE



NOTES:
1. LABEL TO BE INSTALLED BY CUSTOMER.

ENTER DESCRIPTION EC NO: MF2006-0262 DRWNR: RPACIFIC1 CHKD: 2005/12/01 APPR: IGUMIN 2005/12/01	QUALITY SYMBOLS ▽=0 ▽=0	GENERAL TOLERANCES (UNLESS SPECIFIED)		DIMENSION STYLE IN/MM	SCALE 2:1	DESIGN UNITS INCH	THIRD ANGLE PROJECTION		
		4 PLACES ± --- ± ---	DRAWN BY RPACIFIC1	DATE 2005/10/20	TITLE METALIZED LC BEZEL ADAPTER KITS WITH PUSH TAB				
		3 PLACES ± --- ± ---	CHECKED BY	DATE	MOLEX INCORPORATED				
		2 PLACES ± --- ± ---	APPROVED BY		DATE	MATERIAL NO. SEE TABLE			
1 PLACE ± --- ± ---	ANGULAR ±1/2°		DRAFT WHERE APPLICABLE MUST REMAIN WITHIN DIMENSIONS		DOCUMENT NO. SD-106004-357X		SHEET NO. 1 OF 1		
A	REV	SIZE B		THIS DRAWING CONTAINS INFORMATION THAT IS PROPRIETARY TO MOLEX INCORPORATED AND SHOULD NOT BE USED WITHOUT WRITTEN PERMISSION					