



Chipsmall Limited consists of a professional team with an average of over 10 year of expertise in the distribution of electronic components. Based in Hongkong, we have already established firm and mutual-benefit business relationships with customers from,Europe,America and south Asia,supplying obsolete and hard-to-find components to meet their specific needs.

With the principle of “Quality Parts,Customers Priority,Honest Operation,and Considerate Service”,our business mainly focus on the distribution of electronic components. Line cards we deal with include Microchip,ALPS,ROHM,Xilinx,Pulse,ON,Everlight and Freescale. Main products comprise IC,Modules,Potentiometer,IC Socket,Relay,Connector.Our parts cover such applications as commercial,industrial, and automotives areas.

We are looking forward to setting up business relationship with you and hope to provide you with the best service and solution. Let us make a better world for our industry!



Contact us

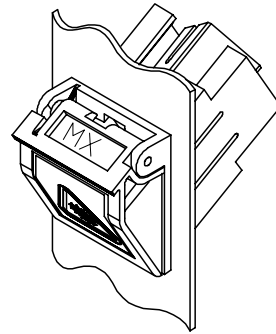
Tel: +86-755-8981 8866 Fax: +86-755-8427 6832

Email & Skype: info@chipsmall.com Web: www.chipsmall.com

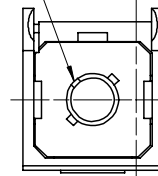
Address: A1208, Overseas Decoration Building, #122 Zhenhua RD., Futian, Shenzhen, China



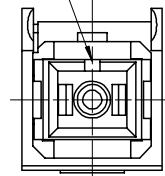
KIT P/N	VERSION	SLEEVE MATERIAL	BEZEL FRAME/DOOR COLOR	ADAPTER COLOR	DOOR TYPE
106004-3580	1 (ST-SC)	PHOSPHOR BRONZE	METAL/METAL	METAL	MX LOGO
106004-3581		ZIRCONIA	METAL/BLACK		
106004-3587		ZIRCONIA	METAL/BLACK		
106004-3582	2 (FC-SC)	PHOSPHOR BRONZE	METAL/METAL		
106004-3583		ZIRCONIA	METAL/BLACK		
106004-3596	3 (SC-SC)	PHOSPHOR BRONZE	METAL/METAL		
106004-3584		ZIRCONIA	METAL/BLACK		
106004-3585		ZIRCONIA	METAL/BLACK		
106004-3586	4 (MTP-MTP)	N/A	BLACK/BLACK	BLACK	
106004-3589		N/A	METAL/BLACK	METAL	
106004-3597		N/A	METAL/BLACK	METAL	
106004-3590	1 (ST-SC)	PHOSPHOR BRONZE	METAL/METAL	METAL	NO LOGO
106004-3591		ZIRCONIA			
106004-3592	2 (FC-SC)	PHOSPHOR BRONZE			
106004-3593		ZIRCONIA			
106004-3594	3 (SC-SC)	PHOSPHOR BRONZE			
106004-3595		ZIRCONIA			
106004-3598	4 (MTP-MTP)	N/A	BLACK/BLACK	BLACK	
106004-3599		N/A	BLACK/BLACK	BLACK	



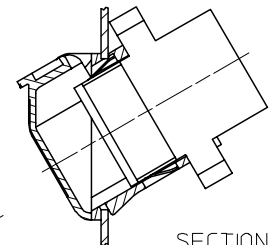
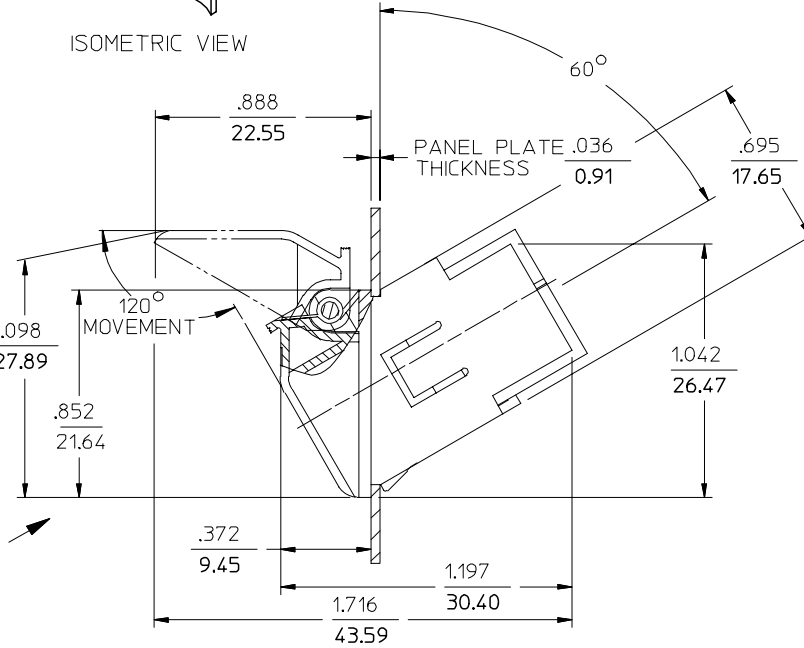
ISOMETRIC VIEW



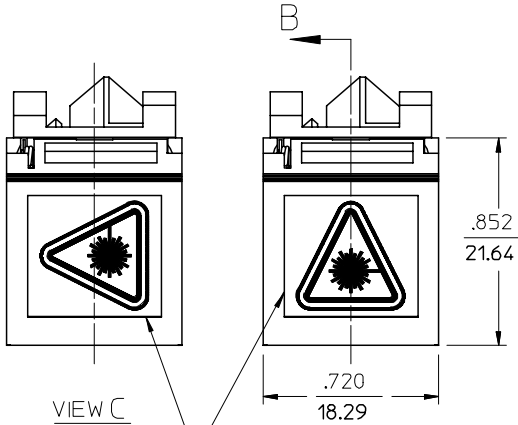
VIEW A
VERSION 1 & 2 (KEY LOCATION)
DOOR REMOVED
ROTATED 30° CW



VIEW A
VERSION 3 (SC-SC)
DOOR REMOVED
ROTATED 30° CW



SECTION B-B
VERSION 4 (MTP-MTP)
SEE NOTE 3



VIEW C
LABEL
SEE NOTE 2

- NOTES:
- LABEL TO BE INSTALLED BY CUSTOMER.
 - MTP-MTP ADAPTER (VERSION 4) TO BE ASSEMBLED BY CUSTOMER, AFTER BEZEL IS INSTALLED IN PANEL CUTOUT.

ENTER DESCRIPTION EC NO: MF2006-0824 DRWNG/REVZNR 2006/06/13 CHKD: 2006/06/13 APPR: IGUMIN 2006/06/15 DESCRIPTION REV	QUALITY SYMBOLS ▽=0 ▽=0	GENERAL TOLERANCES (UNLESS SPECIFIED) <table border="1"> <thead> <tr> <th></th> <th>mm</th> <th>INCH</th> </tr> </thead> <tbody> <tr> <td>4 PLACES</td> <td>± .005</td> <td>± .0005</td> </tr> <tr> <td>3 PLACES</td> <td>± .005</td> <td>± .0005</td> </tr> <tr> <td>2 PLACES</td> <td>± .005</td> <td>± .0005</td> </tr> <tr> <td>1 PLACE</td> <td>± .005</td> <td>± .0005</td> </tr> <tr> <td colspan="3">ANGULAR ±1/2°</td> </tr> </tbody> </table>		mm	INCH	4 PLACES	± .005	± .0005	3 PLACES	± .005	± .0005	2 PLACES	± .005	± .0005	1 PLACE	± .005	± .0005	ANGULAR ±1/2°			DIMENSION STYLE IN/MM DRAWN BY: RPACIFIC1 DATE: 2005/10/20 CHECKED BY: DATE:	SCALE 2:1 DESIGN UNITS INCH THIRD ANGLE PROJECTION	TITLE METALIZED SIMPLEX BEZEL KITS WITH PUSH TAB
		mm	INCH																				
	4 PLACES	± .005	± .0005																				
	3 PLACES	± .005	± .0005																				
2 PLACES	± .005	± .0005																					
1 PLACE	± .005	± .0005																					
ANGULAR ±1/2°																							
			APPROVED BY: DATE:	MOLEX INCORPORATED																			
			MATERIAL NO. SEE TABLE	DOCUMENT NO. SD-106004-35XX	SHEET NO. 1 OF 1																		
			DRAFT WHERE APPLICABLE MUST REMAIN WITHIN DIMENSIONS																				