



Chipsmall Limited consists of a professional team with an average of over 10 year of expertise in the distribution of electronic components. Based in Hongkong, we have already established firm and mutual-benefit business relationships with customers from,Europe,America and south Asia,supplying obsolete and hard-to-find components to meet their specific needs.

With the principle of “Quality Parts,Customers Priority,Honest Operation,and Considerate Service”,our business mainly focus on the distribution of electronic components. Line cards we deal with include Microchip,ALPS,ROHM,Xilinx,Pulse,ON,Everlight and Freescale. Main products comprise IC,Modules,Potentiometer,IC Socket,Relay,Connector.Our parts cover such applications as commercial,industrial, and automotives areas.

We are looking forward to setting up business relationship with you and hope to provide you with the best service and solution. Let us make a better world for our industry!



Contact us

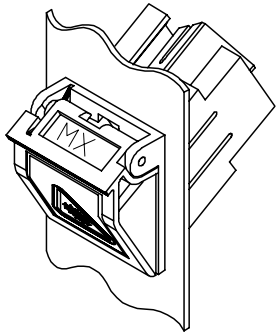
Tel: +86-755-8981 8866 Fax: +86-755-8427 6832

Email & Skype: info@chipsmall.com Web: www.chipsmall.com

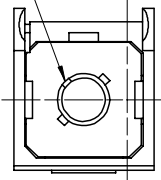
Address: A1208, Overseas Decoration Building, #122 Zhenhua RD., Futian, Shenzhen, China



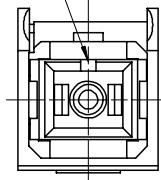
| KIT P/N | VERSION | SLEEVE MATERIAL | BEZEL FRAME/DOOR COLOR | ADAPTER COLOR | DOOR TYPE |
|-------------|----------------|-----------------|------------------------|---------------|-----------|
| 106004-3580 | 1 (ST-SC) | PHOSPHOR BRONZE | METAL/METAL | METAL | MX LOGO |
| 106004-3581 | | ZIRCONIA | METAL/BLACK | | |
| 106004-3587 | | PHOSPHOR BRONZE | METAL/METAL | | |
| 106004-3582 | 2 (FC-SC) | ZIRCONIA | METAL/BLACK | | |
| 106004-3583 | | PHOSPHOR BRONZE | METAL/METAL | | |
| 106004-3596 | 3 (SC-SC) | ZIRCONIA | METAL/BLACK | | |
| 106004-3584 | | PHOSPHOR BRONZE | METAL/METAL | | |
| 106004-3585 | | ZIRCONIA | METAL/BLACK | | |
| 106004-3586 | 4 (MTP-MTP) | N/A | BLACK/BLACK | BLACK | |
| 106004-3589 | | N/A | METAL/BLACK | METAL | |
| 106004-3597 | | N/A | BLACK/BLACK | BLACK | |
| 106004-3590 | 1 (ST-SC) | PHOSPHOR BRONZE | METAL/METAL | METAL | NO LOGO |
| 106004-3591 | | ZIRCONIA | | | |
| 106004-3592 | 2 (FC-SC) | PHOSPHOR BRONZE | | | |
| 106004-3593 | | ZIRCONIA | | | |
| 106004-3594 | 3 (SC-SC) | PHOSPHOR BRONZE | | | |
| 106004-3595 | | ZIRCONIA | | | |
| 106004-3598 | 4 (MTP-MTP) | N/A | BLACK/BLACK | BLACK | |
| 106004-3599 | | N/A | BLACK/BLACK | BLACK | |



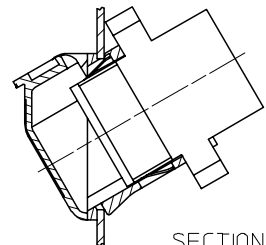
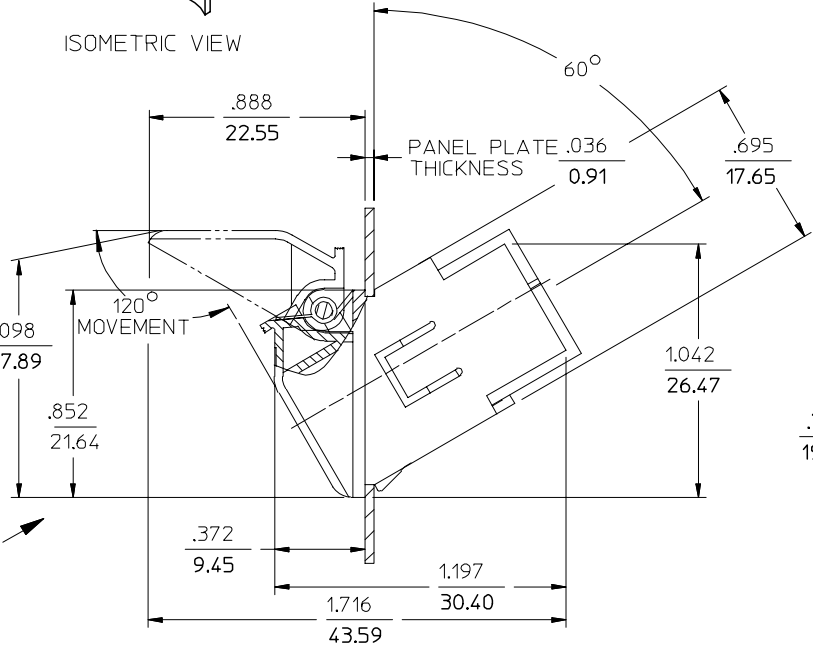
ISOMETRIC VIEW



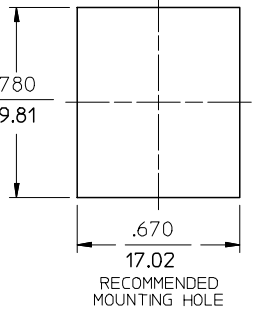
VIEW A
VERSION 1 & 2 (KEY LOCATION)
DOOR REMOVED
ROTATED 30° CW



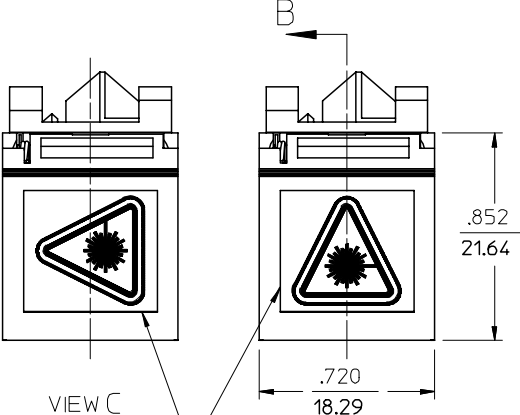
VIEW A
VERSION 3 (SC-SC)
DOOR REMOVED
ROTATED 30° CW



SECTION B-B
VERSION 4 (MTP-MTP)
SEE NOTE 3



RECOMMENDED MOUNTING HOLE



VIEW C
LABEL SEE NOTE 2

- NOTES:
- LABEL TO BE INSTALLED BY CUSTOMER.
 - MTP-MTP ADAPTER (VERSION 4) TO BE ASSEMBLED BY CUSTOMER, AFTER BEZEL IS INSTALLED IN PANEL CUTOUT.

| | | | | | | | |
|--|-----------------|---|---|-----------------------------|--------------|------------------------|--|
| ENTER DESCRIPTION EC NO: MF2006-0824 DRWNG/REVZNR 2006/06/13 CHKD: 2006/06/13 APPR: IGUMIN 2006/06/15 REV DESCRIPTION | QUALITY SYMBOLS | GENERAL TOLERANCES (UNLESS SPECIFIED) | DIMENSION STYLE | SCALE | DESIGN UNITS | THIRD ANGLE PROJECTION | |
| | ▽=0 ▽=0 | mm INCH 4 PLACES ± --- ± --- 3 PLACES ± --- ± --- 2 PLACES ± --- ± --- 1 PLACE ± --- ± --- ANGULAR ±1/2° | IN/MM | 2:1 | INCH | | |
| | | | DRAWN BY: RPACIFICI DATE: 2005/10/20 | TITLE | | | METALIZED SIMPLEX BEZEL KITS WITH PUSH TAB |
| | | | CHECKED BY: DATE: | | | | |
| | | | APPROVED BY: DATE: | | | | |
| | | | MATERIAL NO. SEE TABLE | DOCUMENT NO. SD-106004-35XX | | | |
| | | | SIZE B | | | SHEET NO. 1 OF 1 | |
| | | | THIS DRAWING CONTAINS INFORMATION THAT IS PROPRIETARY TO MOLEX INCORPORATED AND SHOULD NOT BE USED WITHOUT WRITTEN PERMISSION | | | | |