



Chipsmall Limited consists of a professional team with an average of over 10 year of expertise in the distribution of electronic components. Based in Hongkong, we have already established firm and mutual-benefit business relationships with customers from,Europe,America and south Asia,supplying obsolete and hard-to-find components to meet their specific needs.

With the principle of “Quality Parts,Customers Priority,Honest Operation,and Considerate Service”,our business mainly focus on the distribution of electronic components. Line cards we deal with include Microchip,ALPS,ROHM,Xilinx,Pulse,ON,Everlight and Freescale. Main products comprise IC,Modules,Potentiometer,IC Socket,Relay,Connector.Our parts cover such applications as commercial,industrial, and automotives areas.

We are looking forward to setting up business relationship with you and hope to provide you with the best service and solution. Let us make a better world for our industry!



Contact us

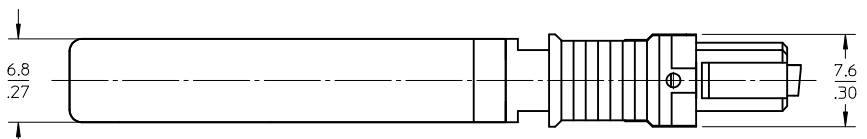
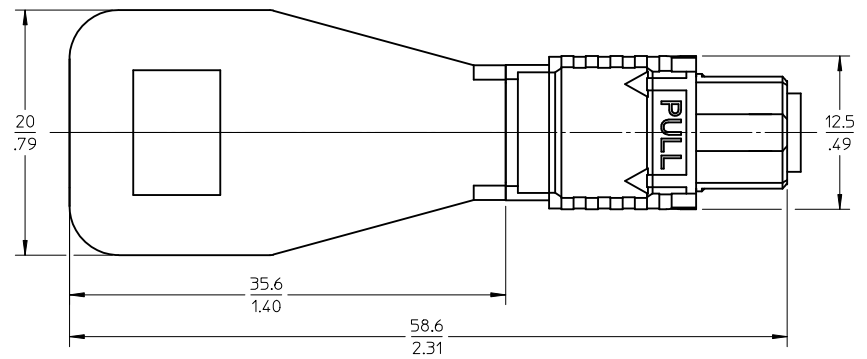
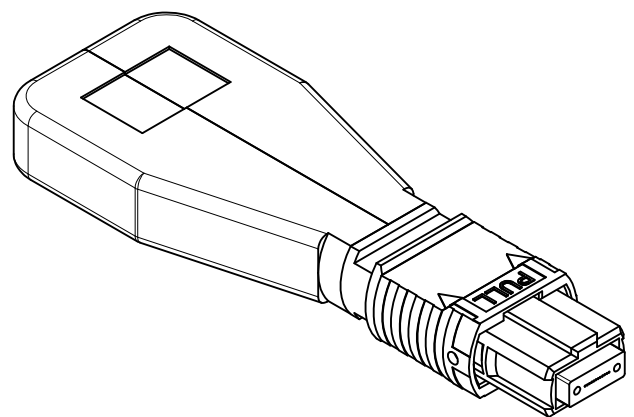
Tel: +86-755-8981 8866 Fax: +86-755-8427 6832

Email & Skype: info@chipsmall.com Web: www.chipsmall.com

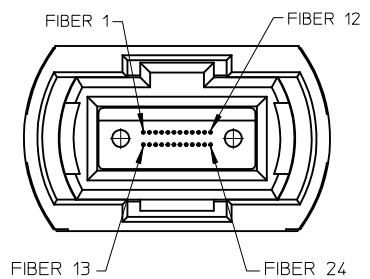
Address: A1208, Overseas Decoration Building, #122 Zhenhua RD., Futian, Shenzhen, China



PART NUMBER	TYPE	TOTAL LOSS OF LOOPBACK	POLISH TYPE
1060051601	SM	1.5 dB	8° APC
1060051602	MM 50/125	1 dB	PC



APC VERSION SHOWN



24 CHANNEL PINOUT	
FIBER 1 TO 13	
2	TO 14
3	TO 15
4	TO 16
5	TO 17
6	TO 18
7	TO 19
8	TO 20
9	TO 21
10	TO 22
11	TO 23
12	TO 24

ENTER DESCRIPTION EC NO: MF2012-0367 DRAWN: SERNST 2012/01/26 CHKD: WCHEN APPR: WCHEN 2012/01/26	QUALITY SYMBOLS $\nabla = 0$ $\nabla = 0$ $\nabla = 0$	GENERAL TOLERANCES (UNLESS SPECIFIED)		DIMENSION STYLE MM/IN	SCALE 2.5:1	DESIGN UNITS METRIC	THIRD ANGLE PROJECTION	
		4 PLACES ± --- ± --- 3 PLACES ± --- ± --- 2 PLACES ± --- ± --- 1 PLACE ± --- ± ---	mm INCH	DRAWN BY DATE SERNST 2012/01/26	TITLE LOW PROFILE MTP LOOPBACK CONNECTOR 24 CHANNEL			
		ANGULAR ± 1 °		APPROVED BY DATE WCHEN 2012/01/26	MOLEX INCORPORATED			
		DRAFT WHERE APPLICABLE MUST REMAIN WITHIN DIMENSIONS		MATERIAL NO. SEE TABLE	DOCUMENT NO. SD-106005-1601	SHEET NO. 1 OF 1		