

Chipsmall Limited consists of a professional team with an average of over 10 year of expertise in the distribution of electronic components. Based in Hongkong, we have already established firm and mutual-benefit business relationships with customers from,Europe,America and south Asia,supplying obsolete and hard-to-find components to meet their specific needs.

With the principle of “Quality Parts,Customers Priority,Honest Operation,and Considerate Service”,our business mainly focus on the distribution of electronic components. Line cards we deal with include Microchip,ALPS,ROHM,Xilinx,Pulse,ON,Everlight and Freescale. Main products comprise IC,Modules,Potentiometer,IC Socket,Relay,Connector.Our parts cover such applications as commercial,industrial, and automotives areas.

We are looking forward to setting up business relationship with you and hope to provide you with the best service and solution. Let us make a better world for our industry!



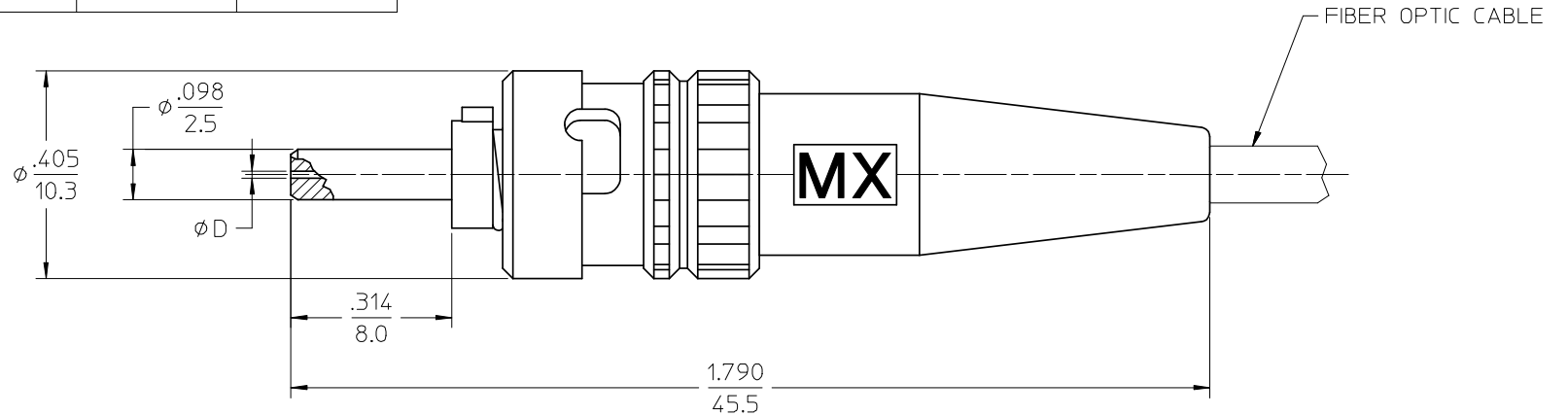
Contact us

Tel: +86-755-8981 8866 Fax: +86-755-8427 6832

Email & Skype: info@chipsmall.com Web: www.chipsmall.com

Address: A1208, Overseas Decoration Building, #122 Zhenhua RD., Futian, Shenzhen, China

CONNECTOR P/N	D (µm)	FERRULE MATERIAL	BOOT COLOR	COUPLING NUT COLOR	CABLE TYPE
106010-0200	127	Zr PLUS	BLACK	BLACK	MULTIMODE
106010-0210*			RED		
106010-0240			BLACK		
106010-0260*			RED		
106010-2200	125.5	Zr	BLACK		SINGLE MODE
106010-2240			RED		
106010-3200	128		BLACK		MULTIMODE
106010-3240			RED		
106010-4200	125		BLACK		SINGLE MODE
106010-5200	126		YELLOW		
106010-5230			RED		
106010-5240			BLACK		
106010-7200	127		LOW COST Zr	BLACK	
106010-5299	126				



NOTES:

1. DUST CAP IS INCLUDED, BUT NOT SHOWN.
- *2. P/Ns 106010-0210 AND 106010-0260 ARE BULK PACKED IN QUANTITIES OF 100 PCS.

ENTER DESCRIPTION EC NO: MF2008-0531 DRWN: IGUMIN CHKD: IGUMIN APPR: IGUMIN	2008/06/03 2008/06/03 2008/06/03	DESCRIPTION REV	QUALITY SYMBOLS	GENERAL TOLERANCES (UNLESS SPECIFIED)	DIMENSION STYLE	SCALE	DESIGN UNITS	THIRD ANGLE PROJECTION
			▽=0	mm INCH	IN/MM	4:1	INCH	
			∇=0	4 PLACES ± --- ± ---	DRAWN BY DATE	TITLE		
				3 PLACES ± --- ± ---	RPACIFIC1 2006/01/26	ST CONNECTOR (CRIMP VERSION)		
	2 PLACES ± --- ± ---	CHECKED BY DATE						
	1 PLACE ± --- ± ---	APPROVED BY DATE						
	ANGULAR ±1/2°	IGUMIN 2006/01/26	MOLEX INCORPORATED					
	DRAFT WHERE APPLICABLE MUST REMAIN WITHIN DIMENSIONS	MATERIAL NO.	SEE TABLE	DOCUMENT NO.	SD-10601X-X2X0			
		SIZE	B	THIS DRAWING CONTAINS INFORMATION THAT IS PROPRIETARY TO MOLEX INCORPORATED AND SHOULD NOT BE USED WITHOUT WRITTEN PERMISSION				
				SHEET NO.	1 OF 1			