



Chipsmall Limited consists of a professional team with an average of over 10 year of expertise in the distribution of electronic components. Based in Hongkong, we have already established firm and mutual-benefit business relationships with customers from,Europe,America and south Asia,supplying obsolete and hard-to-find components to meet their specific needs.

With the principle of “Quality Parts,Customers Priority,Honest Operation,and Considerate Service”,our business mainly focus on the distribution of electronic components. Line cards we deal with include Microchip,ALPS,ROHM,Xilinx,Pulse,ON,Everlight and Freescale. Main products comprise IC,Modules,Potentiometer,IC Socket,Relay,Connector.Our parts cover such applications as commercial,industrial, and automotives areas.

We are looking forward to setting up business relationship with you and hope to provide you with the best service and solution. Let us make a better world for our industry!



## Contact us

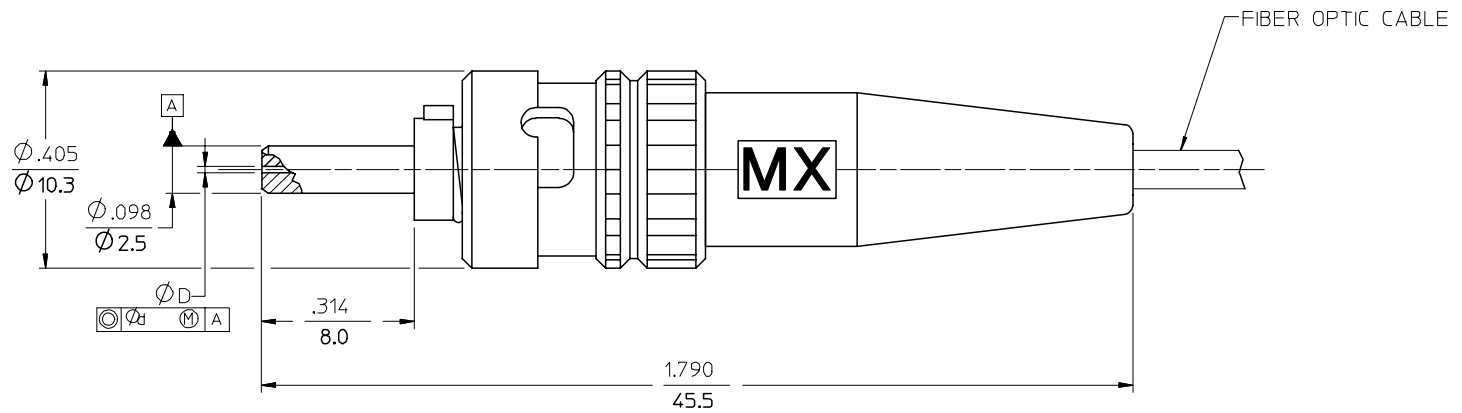
Tel: +86-755-8981 8866 Fax: +86-755-8427 6832

Email & Skype: info@chipsmall.com Web: www.chipsmall.com

Address: A1208, Overseas Decoration Building, #122 Zhenhua RD., Futian, Shenzhen, China



CONNECTOR P/N	$\phi D$ (mm)	$\phi d$ (mm)	MATERIAL of FERRULE	BOOT COLOR	CABLE TYPE
106010-0100	127.0 $\begin{smallmatrix} +3.0 \\ 0 \end{smallmatrix}$	5.0	Zr PLUS	BLACK	MULTIMODE
106010-0110*				RED	
106010-0140					
106010-0160*					
106010-2100	125.5 $\begin{smallmatrix} +1.0 \\ 0 \end{smallmatrix}$	1.0	Zr		SINGLE MODE
106010-3110	128.0 $\begin{smallmatrix} +2.0 \\ 0 \end{smallmatrix}$	3.0		BLUE	MULTIMODE
106010-3100				BLACK	MULTIMODE
106010-5100	126.0 $\begin{smallmatrix} +1.0 \\ 0 \end{smallmatrix}$	1.0			SINGLE MODE
106010-5130				YELLOW	SINGLE MODE



NOTES:

1. DUST CAP NOT SHOWN BUT INCLUDED.

\*2. P/Ns 106010-0110 AND 106010-0160 ARE BULK PACKED IN QUANTITIES OF 100 PCS.

ENTER DESCRIPTION	EC NO: MF2006-0490	2006/02/09
	DRWN:RPACIF1C1	2006/02/09
	CHKD:	
	APPR:IGUMIN	2006/02/09

QUALITY SYMBOLS	$\nabla=0$
	$\nabla=0$

GENERAL TOLERANCES (UNLESS SPECIFIED)	mm	INCH
	4 PLACES ± ---	± ---
	3 PLACES ± ---	± ---
	2 PLACES ± ---	± ---
	1 PLACE ± ---	± ---
	ANGULAR ±1/2°	
DRAFT WHERE APPLICABLE MUST REMAIN WITHIN DIMENSIONS		

DIMENSION STYLE		IN/MM
DRAWN BY	DATE	
RPACIF1C1	2006/01/24	
CHECKED BY	DATE	
APPROVED BY	DATE	
MATERIAL NO.	SEE TABLE	
SIZE	B	

SCALE	5:1	DESIGN UNITS	INCH	THIRD ANGLE PROJECTION
TITLE				
ST CONNECTOR 1.6MM AND 2.0MM CABLE				
MOLEX INCORPORATED				
MATERIAL NO.	DOCUMENT NO.	SHEET NO.		
SEE TABLE	SD-106010-X1X0	1 OF 1		
THIS DRAWING CONTAINS INFORMATION THAT IS PROPRIETARY TO MOLEX INCORPORATED AND SHOULD NOT BE USED WITHOUT WRITTEN PERMISSION				