



Chipsmall Limited consists of a professional team with an average of over 10 year of expertise in the distribution of electronic components. Based in Hongkong, we have already established firm and mutual-benefit business relationships with customers from,Europe,America and south Asia,supplying obsolete and hard-to-find components to meet their specific needs.

With the principle of “Quality Parts,Customers Priority,Honest Operation,and Considerate Service”,our business mainly focus on the distribution of electronic components. Line cards we deal with include Microchip,ALPS,ROHM,Xilinx,Pulse,ON,Everlight and Freescale. Main products comprise IC,Modules,Potentiometer,IC Socket,Relay,Connector.Our parts cover such applications as commercial,industrial, and automotives areas.

We are looking forward to setting up business relationship with you and hope to provide you with the best service and solution. Let us make a better world for our industry!



Contact us

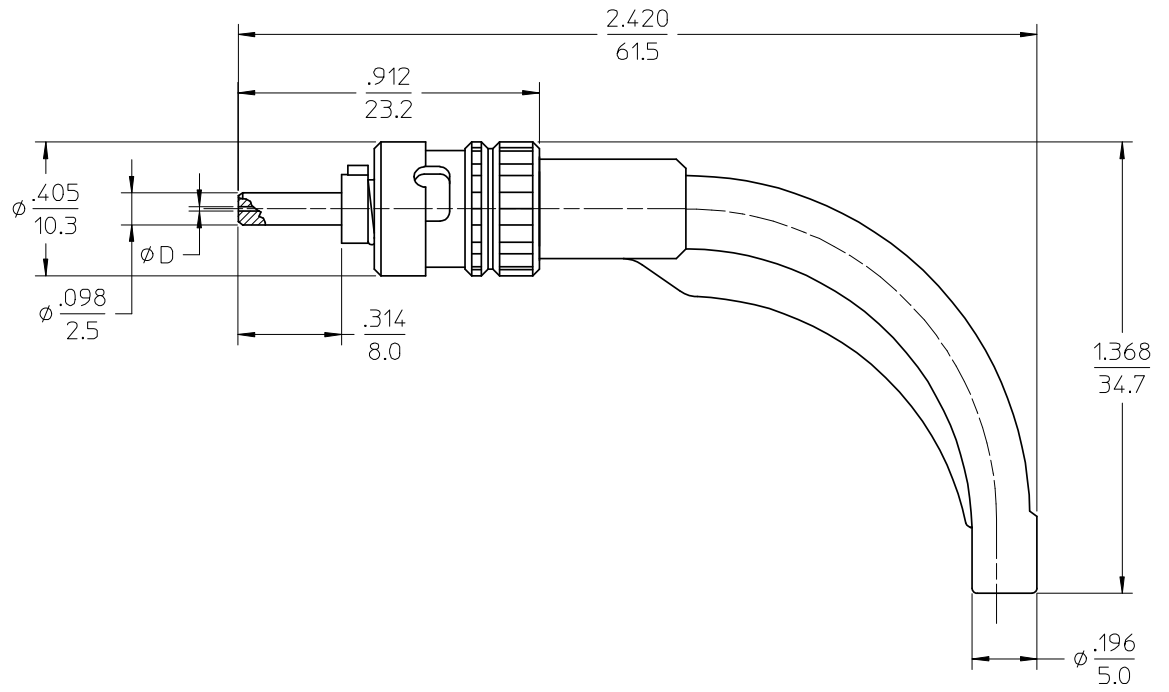
Tel: +86-755-8981 8866 Fax: +86-755-8427 6832

Email & Skype: info@chipsmall.com Web: www.chipsmall.com

Address: A1208, Overseas Decoration Building, #122 Zhenhua RD., Futian, Shenzhen, China



P/N	D (μm)	FERRULE MATERIAL	CABLE DIAMETER	BOOT COLOR	CABLE TYPE
106010-0400	127	Zr PLUS	3 mm	BLACK	MULTIMODE
106010-0440				RED	
106010-2400	125.5	Zr		BLACK	SINGLE MODE
106010-2440				RED	
106010-3400	128			BLACK	MULTIMODE
106010-3440				RED	
106010-5400	126	Zr		BLACK	SINGLE MODE
106010-5440				RED	
106010-7400	127	Zr	BLACK		
106010-7440			RED		



ENTER DESCRIPTION EC NO: MF2008-0531 DRWN: IGUMIN CHKD: IGUMIN APPR: IGUMIN	QUALITY SYMBOLS ▽=0 ▽=0	GENERAL TOLERANCES (UNLESS SPECIFIED)		DIMENSION STYLE	SCALE	DESIGN UNITS	THIRD ANGLE PROJECTION	
				IN/MM	4:1	INCH		
		4 PLACES	±---	±---	DRAWN BY	DATE	TITLE	
		3 PLACES	±---	±---	PGIBLIN	2005/10/13	ST CONNECTOR (PLASTIC NUT, 90D BOOT)	
		2 PLACES	±---	±---	CHECKED BY	DATE		
1 PLACE	±---	±---	APPROVED BY	DATE	MOLEX INCORPORATED			
ANGULAR ±1/2°		DRAFT WHERE APPLICABLE MUST REMAIN WITHIN DIMENSIONS		MATERIAL NO.	DOCUMENT NO.	SHEET NO.		
A1				SEE TABLE	SD-106010-XXX0	1 OF 1		
THIS DRAWING CONTAINS INFORMATION THAT IS PROPRIETARY TO MOLEX INCORPORATED AND SHOULD NOT BE USED WITHOUT WRITTEN PERMISSION								