



Chipsmall Limited consists of a professional team with an average of over 10 year of expertise in the distribution of electronic components. Based in Hongkong, we have already established firm and mutual-benefit business relationships with customers from,Europe,America and south Asia,supplying obsolete and hard-to-find components to meet their specific needs.

With the principle of “Quality Parts,Customers Priority,Honest Operation,and Considerate Service”,our business mainly focus on the distribution of electronic components. Line cards we deal with include Microchip,ALPS,ROHM,Xilinx,Pulse,ON,Everlight and Freescale. Main products comprise IC,Modules,Potentiometer,IC Socket,Relay,Connector.Our parts cover such applications as commercial,industrial, and automotives areas.

We are looking forward to setting up business relationship with you and hope to provide you with the best service and solution. Let us make a better world for our industry!



Contact us

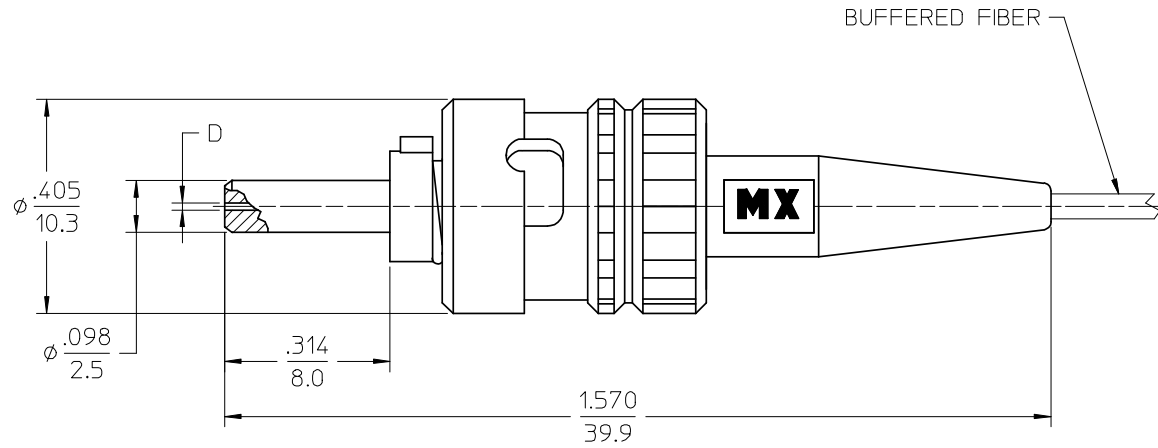
Tel: +86-755-8981 8866 Fax: +86-755-8427 6832

Email & Skype: info@chipsmall.com Web: www.chipsmall.com

Address: A1208, Overseas Decoration Building, #122 Zhenhua RD., Futian, Shenzhen, China



CONNECTOR P/N	D (μm)	FERRULE MATERIAL	BOOT COLOR	COUPLING NUT COLOR	CABLE TYPE
106010-0500	127	Zr PLUS	BLACK	BLACK	MULTIMODE
106010-0510*					SINGLE MODE
106010-2500	125.5	Zr			MULTIMODE
106010-3500	128				SINGLE MODE
106010-5500	126				MULTIMODE
106010-5510*					SINGLE MODE
106010-7500	127				



NOTES:

*1. P/N 106010-0510 AND 106010-5510 ARE BULK PACKED IN QUANTITIES OF 100 PCS.

ENTER DESCRIPTION EC NO: MF2008-0531 DRWN: IGUMIN CHKD: IGUMIN APPR: IGUMIN REV B1	2008/06/03 2008/06/03 2008/06/03	QUALITY SYMBOLS ▽=0 ▽=0	GENERAL TOLERANCES (UNLESS SPECIFIED)		DIMENSION STYLE IN/MM		SCALE 4:1	DESIGN UNITS INCH	THIRD ANGLE PROJECTION
	4 PLACES		±---	±---	DRAWN BY	DATE	TITLE ST BARE FIBER CONNECTOR		
	3 PLACES		±---	±---	RPACIFICI	2005/12/22			
	2 PLACES		±---	±---	CHECKED BY	DATE			
	1 PLACE		±---	±---	APPROVED BY	DATE	MOLEX INCORPORATED		
ANGULAR ±1/2°		IGUMIN		2005/12/22					
DRAFT WHERE APPLICABLE MUST REMAIN WITHIN DIMENSIONS			MATERIAL NO.		DOCUMENT NO.		SHEET NO.		
			SEE TABLE		SD-106010-X5X0		1 OF 1		
			THIS DRAWING CONTAINS INFORMATION THAT IS PROPRIETARY TO MOLEX INCORPORATED AND SHOULD NOT BE USED WITHOUT WRITTEN PERMISSION						