



Chipsmall Limited consists of a professional team with an average of over 10 year of expertise in the distribution of electronic components. Based in Hongkong, we have already established firm and mutual-benefit business relationships with customers from,Europe,America and south Asia,supplying obsolete and hard-to-find components to meet their specific needs.

With the principle of “Quality Parts,Customers Priority,Honest Operation,and Considerate Service”,our business mainly focus on the distribution of electronic components. Line cards we deal with include Microchip,ALPS,ROHM,Xilinx,Pulse,ON,Everlight and Freescale. Main products comprise IC,Modules,Potentiometer,IC Socket,Relay,Connector.Our parts cover such applications as commercial,industrial, and automotives areas.

We are looking forward to setting up business relationship with you and hope to provide you with the best service and solution. Let us make a better world for our industry!



## Contact us

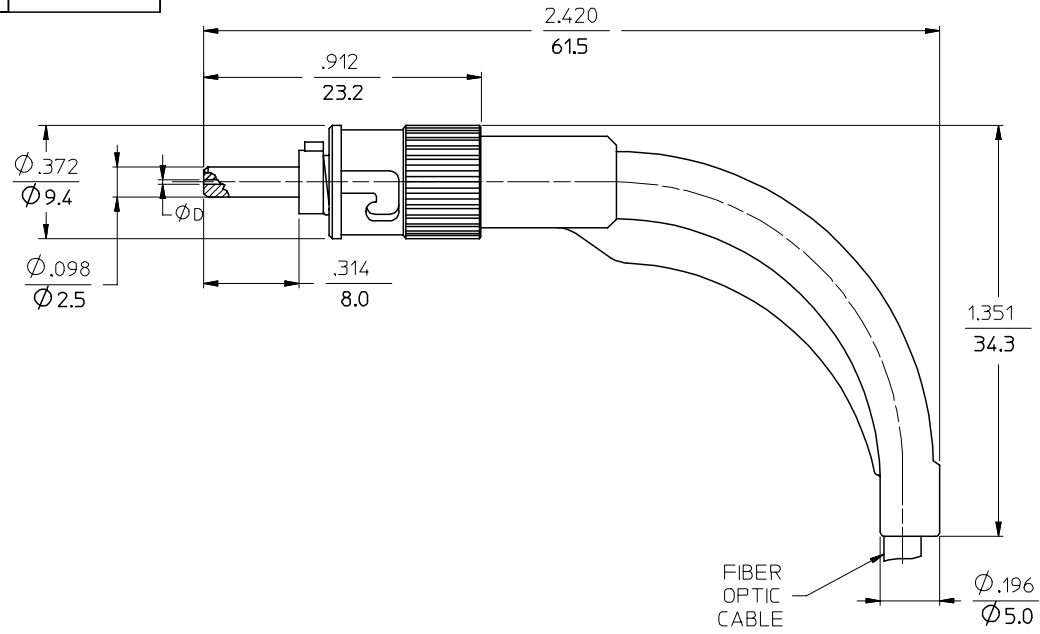
Tel: +86-755-8981 8866 Fax: +86-755-8427 6832

Email & Skype: info@chipsmall.com Web: www.chipsmall.com

Address: A1208, Overseas Decoration Building, #122 Zhenhua RD., Futian, Shenzhen, China



10	9	8	7	6	5	4	3	2	1
P/N of CONNECTOR	D (In)	MATERIAL of FERRULE	DIAMETER of CABLE	COLOR of BOOT	CABLE TYPE				
106012-0400	127	Zr PLUS	3 mm	BLACK	MULTIMODE				
106012-0410*				RED					
106012-0440				BLACK					
106012-3400	128	Zr		RED	SINGLE MODE				
106012-3440				BLACK					
106012-5400				RED					
106012-5440	126								
106012-7400			BLACK						
106012-7440	127			RED					



NOTE:

\*1. P/N 106012-0410 IS BULK PACKED IN QUANTITIES OF 100 PCS.

ENTER DESCRIPTION EC NO: MF2006-0490 DRAWN: RPACIFICI CHKD: 2006/02/09 APPR: IGUMIN 2006/02/09	QUALITY SYMBOLS ▽=0 ▽=0	GENERAL TOLERANCES (UNLESS SPECIFIED)		DIMENSION STYLE	SCALE	DESIGN UNITS	THIRD ANGLE PROJECTION	
		mm	INCH	IN/MM	4:1	INCH		
		4 PLACES	± ---	± ---	DRAWN BY	DATE	TITLE	
		3 PLACES	± ---	± ---	RPACIFICI	2006/01/24	ST CONNECTOR	
2 PLACES	± ---	± ---	CHECKED BY	DATE	APPROVED BY			
1 PLACE	± ---	± ---	APPROVED BY		DATE	MATERIAL NO.		
ANGULAR ±1/2°		DRAFT WHERE APPLICABLE MUST REMAIN WITHIN DIMENSIONS		SEE TABLE	DOCUMENT NO.	SHEET NO.		
				SIZE B	THIS DRAWING CONTAINS INFORMATION THAT IS PROPRIETARY TO MOLEX INCORPORATED AND SHOULD NOT BE USED WITHOUT WRITTEN PERMISSION			