



Chipsmall Limited consists of a professional team with an average of over 10 year of expertise in the distribution of electronic components. Based in Hongkong, we have already established firm and mutual-benefit business relationships with customers from,Europe,America and south Asia,supplying obsolete and hard-to-find components to meet their specific needs.

With the principle of “Quality Parts,Customers Priority,Honest Operation,and Considerate Service”,our business mainly focus on the distribution of electronic components. Line cards we deal with include Microchip,ALPS,ROHM,Xilinx,Pulse,ON,Everlight and Freescale. Main products comprise IC,Modules,Potentiometer,IC Socket,Relay,Connector.Our parts cover such applications as commercial,industrial, and automotives areas.

We are looking forward to setting up business relationship with you and hope to provide you with the best service and solution. Let us make a better world for our industry!



Contact us

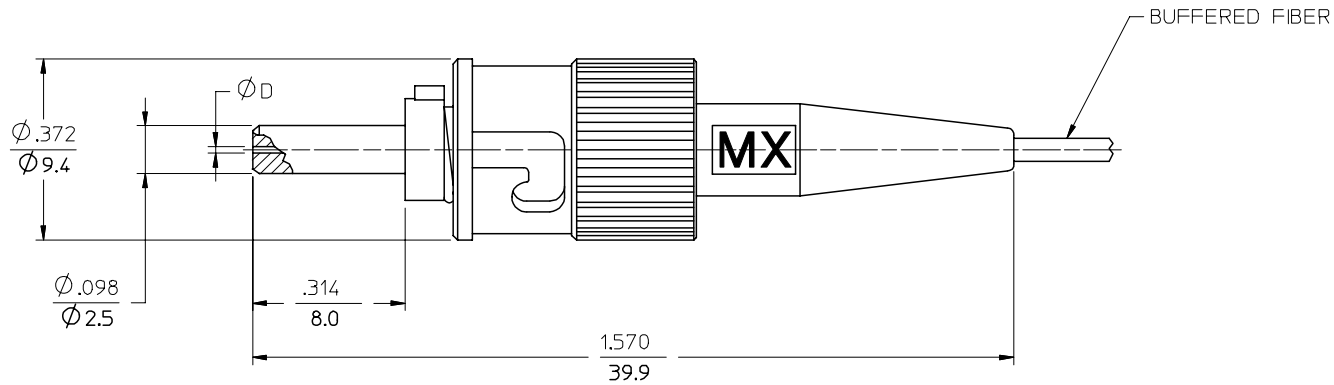
Tel: +86-755-8981 8866 Fax: +86-755-8427 6832

Email & Skype: info@chipsmall.com Web: www.chipsmall.com

Address: A1208, Overseas Decoration Building, #122 Zhenhua RD., Futian, Shenzhen, China



CONNECTOR P/N	D (µm)	MATERIAL OF FERRULE	CABLE TYPE
106012-0500	127	Zr PLUS	MULTIMODE
106012-0510*			
106012-2500	125.5	Zr	SINGLE MODE
106012-2510			MULTIMODE
106012-3500	MULTIMODE		
106012-5500	SINGLE MODE		
106012-5510*	126		
106012-7500	127		



NOTES:

- ALL DIMENSIONS ARE FOR REFERENCE ONLY.
- P/N 106012-0510 AND P/N 106012-5510 ARE BULK PACKED IN QUANTITIES OF 100 PCS.

ENTER DESCRIPTION EC NO: MF2006-0424 DRAWN: RPACIFICI 2006/01/24 CHKD: 2006/01/24 APPR: IGUMIN 2006/01/24	QUALITY SYMBOLS ▽=0 ▽=0	GENERAL TOLERANCES (UNLESS SPECIFIED) <table border="1"> <thead> <tr> <th></th> <th>mm</th> <th>INCH</th> </tr> </thead> <tbody> <tr> <td>4 PLACES</td> <td>± ---</td> <td>± ---</td> </tr> <tr> <td>3 PLACES</td> <td>± ---</td> <td>± ---</td> </tr> <tr> <td>2 PLACES</td> <td>± ---</td> <td>± ---</td> </tr> <tr> <td>1 PLACE</td> <td>± ---</td> <td>± ---</td> </tr> </tbody> </table>		mm	INCH	4 PLACES	± ---	± ---	3 PLACES	± ---	± ---	2 PLACES	± ---	± ---	1 PLACE	± ---	± ---	DIMENSION STYLE IN/MM	SCALE 5:1	DESIGN UNITS INCH	THIRD ANGLE PROJECTION
		mm	INCH																		
	4 PLACES	± ---	± ---																		
	3 PLACES	± ---	± ---																		
2 PLACES	± ---	± ---																			
1 PLACE	± ---	± ---																			
		DRAWN BY RPACIFICI	DATE 2005/12/22	TITLE ST BARE FIBER CONNECTOR																	
		CHECKED BY	DATE	APPROVED BY MOLEX INCORPORATED																	
		MATERIAL NO. SEE TABLE		DOCUMENT NO. SD-106012-X5X0	SHEET NO. 1 OF 1																